



Chipsmall Limited consists of a professional team with an average of over 10 year of expertise in the distribution of electronic components. Based in Hongkong, we have already established firm and mutual-benefit business relationships with customers from,Europe,America and south Asia,supplying obsolete and hard-to-find components to meet their specific needs.

With the principle of “Quality Parts,Customers Priority,Honest Operation,and Considerate Service”,our business mainly focus on the distribution of electronic components. Line cards we deal with include Microchip,ALPS,ROHM,Xilinx,Pulse,ON,Everlight and Freescale. Main products comprise IC,Modules,Potentiometer,IC Socket,Relay,Connector.Our parts cover such applications as commercial,industrial, and automotives areas.

We are looking forward to setting up business relationship with you and hope to provide you with the best service and solution. Let us make a better world for our industry!



Contact us

Tel: +86-755-8981 8866 Fax: +86-755-8427 6832

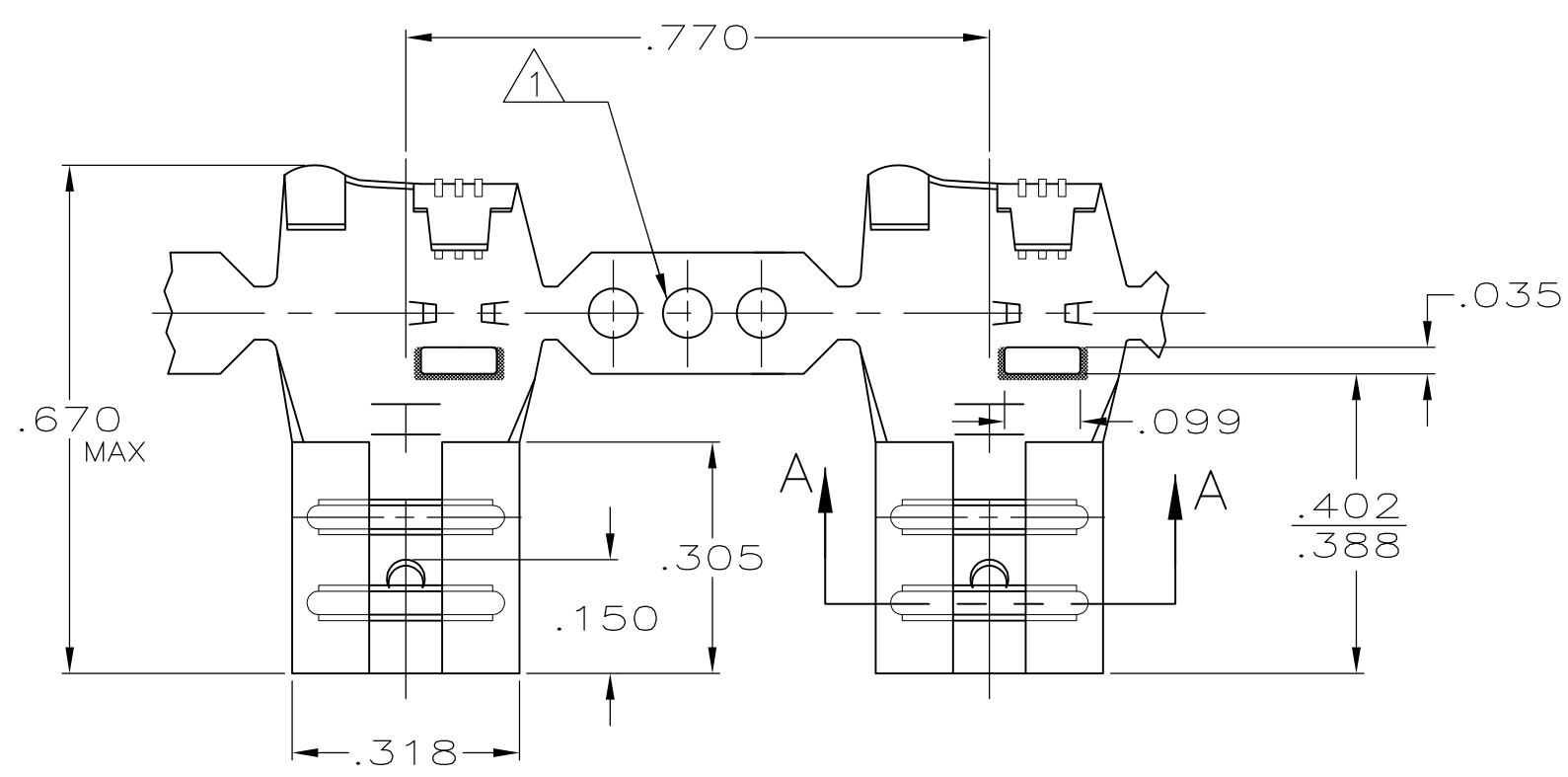
Email & Skype: info@chipsmall.com Web: www.chipsmall.com

Address: A1208, Overseas Decoration Building, #122 Zhenhua RD., Futian, Shenzhen, China

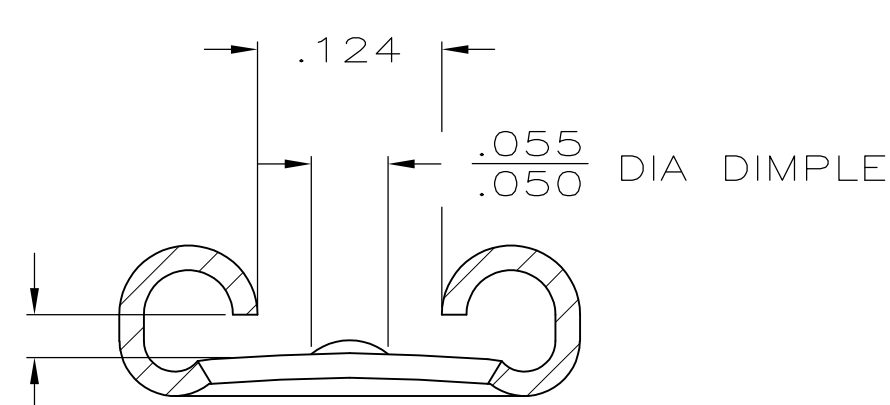


THIS DRAWING IS UNPUBLISHED. RELEASED FOR PUBLICATION
 © COPYRIGHT - By - ALL RIGHTS RESERVED.

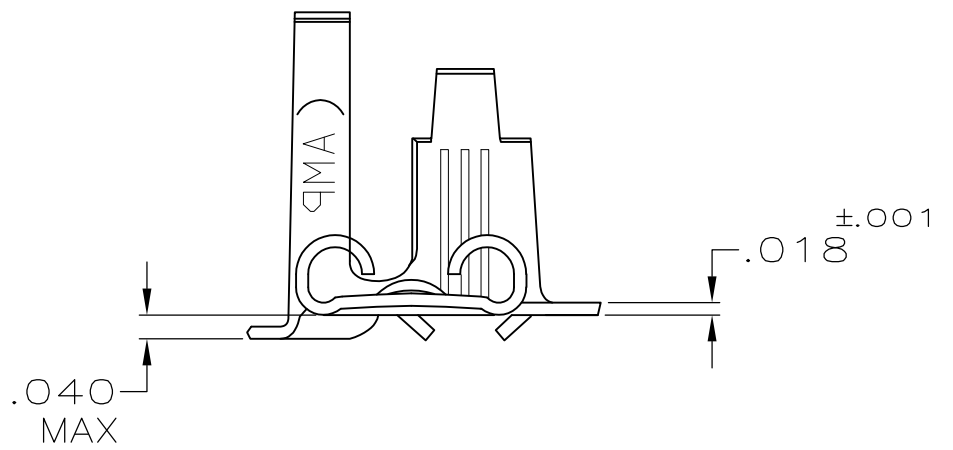
LOC	DIST	REVISIONS					
AF	50	P	LTR	DESCRIPTION	DATE	DWN	APVD
		Y		REVISED PER ECR-12-013445	28NOV2012	KH	PD




△ 1 SINGLE OR DOUBLE PILOT HOLE OPTIONAL



SECTION A-A
SCALE 8:1



.110-.210	18-12	.032	41802											
INSULATION RANGE	WIRE SIZE	MATING TAB	PART NO											
THIS DRAWING IS A CONTROLLED DOCUMENT.		DWN JR RUTH 7/12/89	 TE Connectivity RECEPTACLE, FASTON, FLAG, .250 SERIES											
DIMENSIONS: INCHES		CHK MS FEHER 7/12/89												
TOLERANCES UNLESS OTHERWISE SPECIFIED:		APVD C MEYERS 7/12/89												
<table border="0"> <tr><td>0 PLC</td><td>± -</td></tr> <tr><td>1 PLC</td><td>± -</td></tr> <tr><td>2 PLC</td><td>± -</td></tr> <tr><td>3 PLC</td><td>± .015</td></tr> <tr><td>4 PLC</td><td>± -</td></tr> <tr><td>ANGLES</td><td>± -</td></tr> </table>		0 PLC		± -	1 PLC	± -	2 PLC	± -	3 PLC	± .015	4 PLC	± -	ANGLES	± -
0 PLC	± -													
1 PLC	± -													
2 PLC	± -													
3 PLC	± .015													
4 PLC	± -													
ANGLES	± -													
MATERIAL BRASS	FINISH TIN	APPLICATION SPEC -	RESTRICTED TO -											
CUSTOMER DRAWING		WEIGHT -	<table border="0"> <tr> <td>SIZE</td> <td>CAGE CODE</td> <td>DRAWING NO</td> <td>RESTRICTED TO</td> </tr> <tr> <td>A3</td> <td>00779</td> <td>C-41802</td> <td>-</td> </tr> </table>	SIZE	CAGE CODE	DRAWING NO	RESTRICTED TO	A3	00779	C-41802	-			
SIZE	CAGE CODE	DRAWING NO	RESTRICTED TO											
A3	00779	C-41802	-											
		SCALE 4:1	<table border="0"> <tr> <td>SHEET</td> <td>REV</td> </tr> <tr> <td>1 OF 1</td> <td>Y</td> </tr> </table>	SHEET	REV	1 OF 1	Y							
SHEET	REV													
1 OF 1	Y													