



Chipsmall Limited consists of a professional team with an average of over 10 year of expertise in the distribution of electronic components. Based in Hongkong, we have already established firm and mutual-benefit business relationships with customers from,Europe,America and south Asia,supplying obsolete and hard-to-find components to meet their specific needs.

With the principle of “Quality Parts,Customers Priority,Honest Operation,and Considerate Service”,our business mainly focus on the distribution of electronic components. Line cards we deal with include Microchip,ALPS,ROHM,Xilinx,Pulse,ON,Everlight and Freescale. Main products comprise IC,Modules,Potentiometer,IC Socket,Relay,Connector.Our parts cover such applications as commercial,industrial, and automotives areas.

We are looking forward to setting up business relationship with you and hope to provide you with the best service and solution. Let us make a better world for our industry!



Contact us

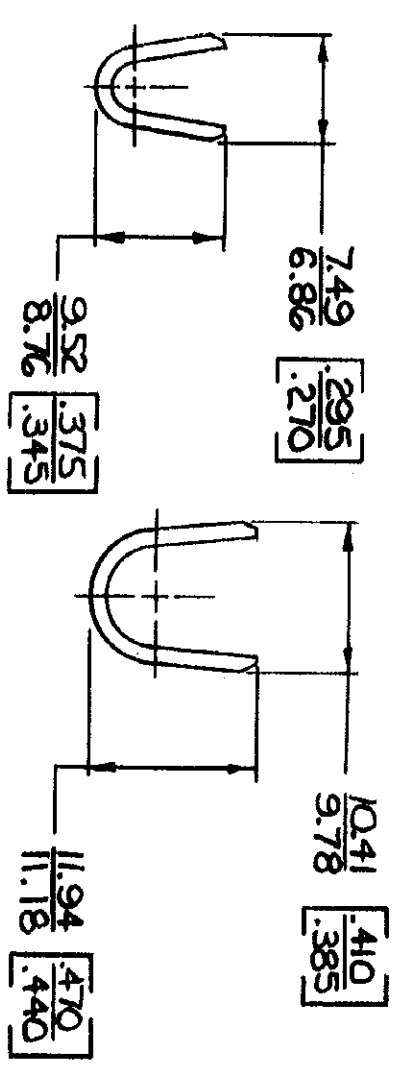
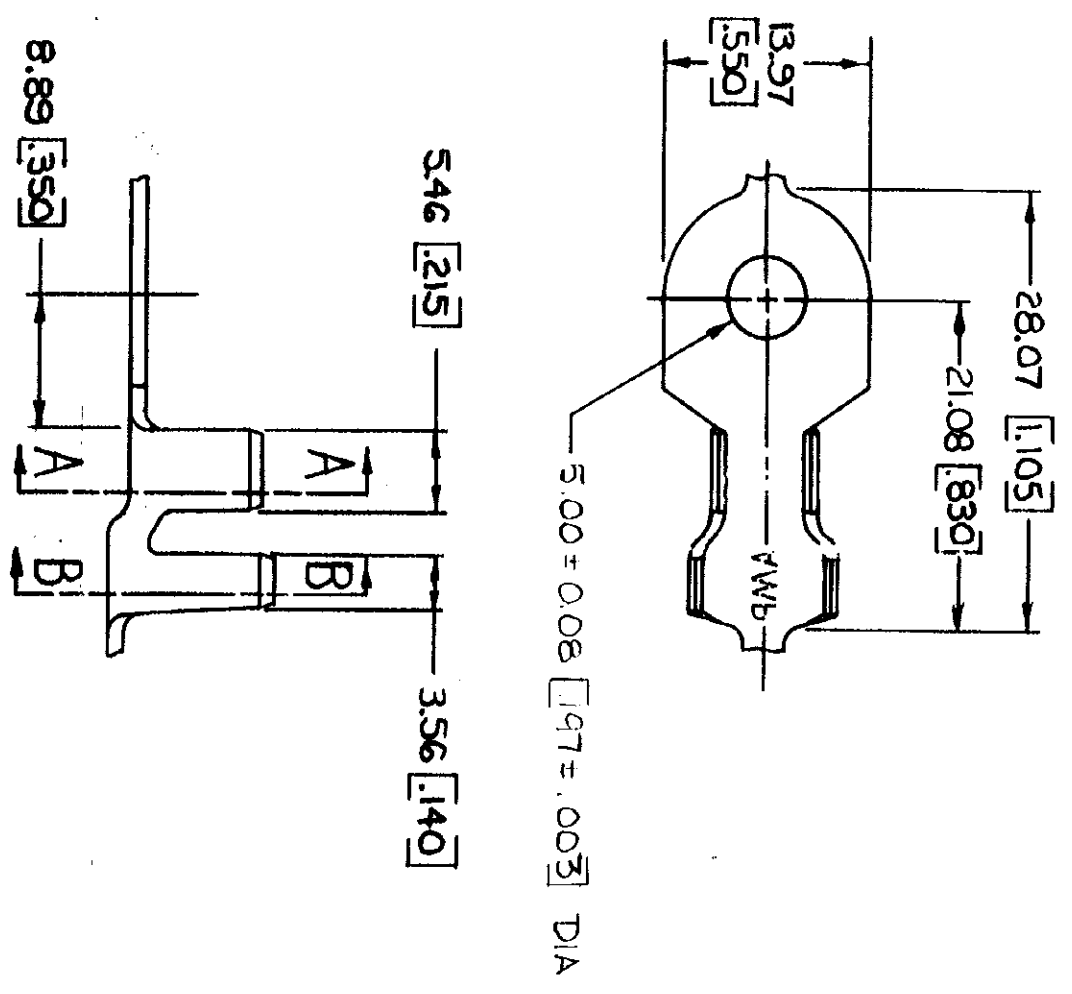
Tel: +86-755-8981 8866 Fax: +86-755-8427 6832

Email & Skype: info@chipsmall.com Web: www.chipsmall.com

Address: A1208, Overseas Decoration Building, #122 Zhenhua RD., Futian, Shenzhen, China



© COPYRIGHT 1964 BY AMP INCORPORATED, HARRISBURG, PA.
 ALL INTERNATIONAL RIGHTS RESERVED. AMP INCORPORATED PRODUCTS.
 COVERED BY U. S. AND FOREIGN PATENTS AND/OR PATENTS PENDING.



1. CONTINUOUS STRIP ON REELS.
 2. DIMENSIONS IN BRACKETS ARE IN INCHES.

METRIC

P		F		ZONE		LTR		REVISIONS		DATE	APPROVED
REDRAWN & REVISED								A-3943	6/21/78	DC	SS

STUD SIZE	INSULATION RANGE	WIRE RANGE	FINISH	MATERIAL	PART NO
#10	5.59 - 8.00 [220 - .315]	5.0 - 8.5 mm ² [10 - 8]	TIN	1.27 [050] COPPER	41808

UNLESS OTHERWISE SPECIFIED DIMENSIONS ARE IN DECIMALS ±.005 ANGLES ±1.0°		CONTRACT NO		NAME	
MATERIAL		DR Donald Wood 4/21/78		AMP INCORPORATED Harrisburg, Pa.	
SEE TABLE		CHK J. Hoffmann 7/19/78		RING	
FINISH		APPR R. Evans 8-1-78		SIZE B	
SEE TABLE		APPR G. Clark 8-1-78		CODE IDENT NO 00779	
		OTHER APPD		DRAWING NO 41808	
				SCALE 1:1	
				SHEET	

CUSTOMER DRAWING