



Chipsmall Limited consists of a professional team with an average of over 10 year of expertise in the distribution of electronic components. Based in Hongkong, we have already established firm and mutual-benefit business relationships with customers from,Europe,America and south Asia,supplying obsolete and hard-to-find components to meet their specific needs.

With the principle of “Quality Parts,Customers Priority,Honest Operation,and Considerate Service”,our business mainly focus on the distribution of electronic components. Line cards we deal with include Microchip,ALPS,ROHM,Xilinx,Pulse,ON,Everlight and Freescale. Main products comprise IC,Modules,Potentiometer,IC Socket,Relay,Connector.Our parts cover such applications as commercial,industrial, and automotives areas.

We are looking forward to setting up business relationship with you and hope to provide you with the best service and solution. Let us make a better world for our industry!



Contact us

Tel: +86-755-8981 8866 Fax: +86-755-8427 6832

Email & Skype: info@chipsmall.com Web: www.chipsmall.com

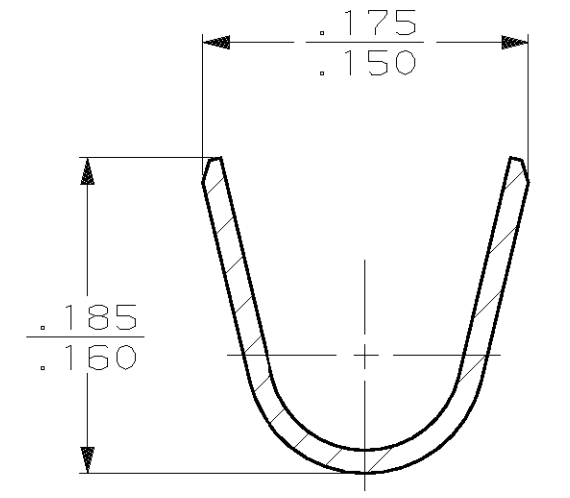
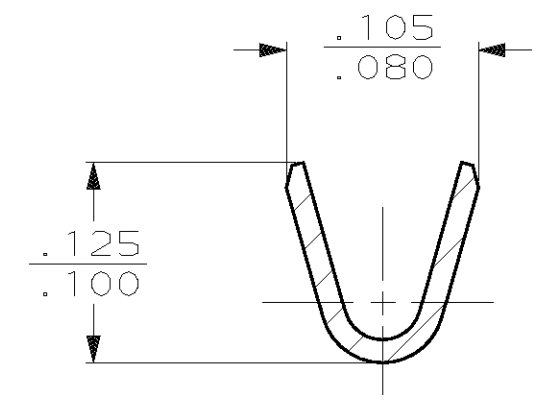
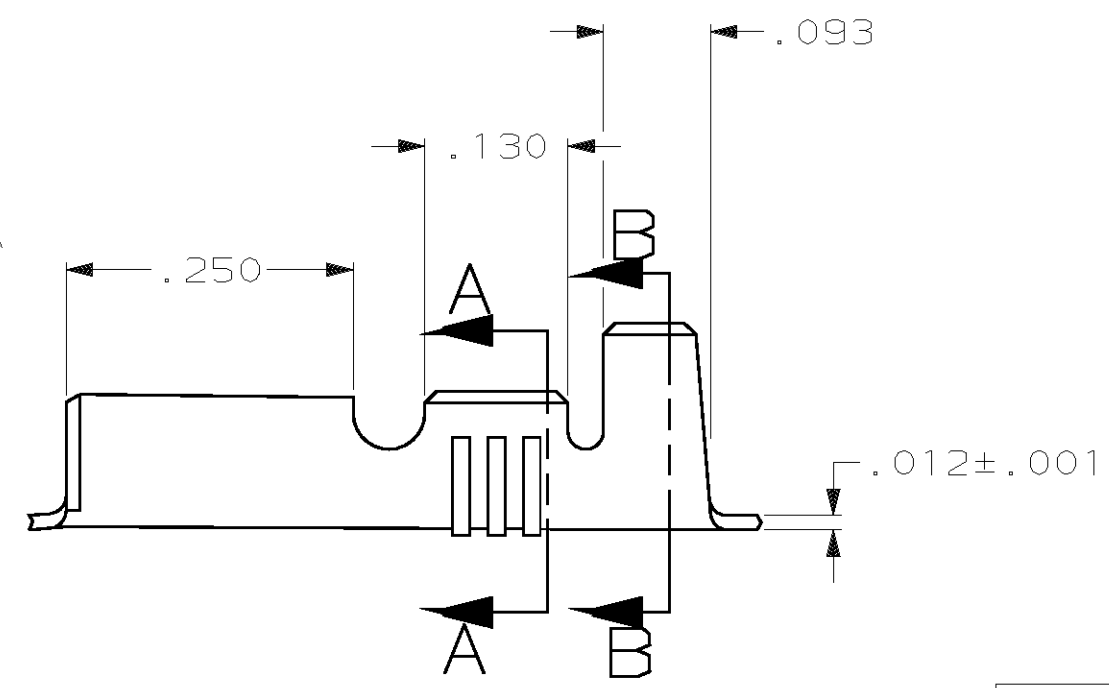
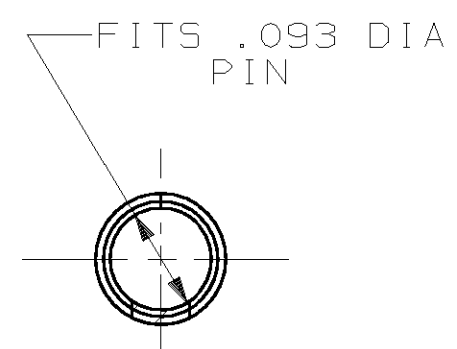
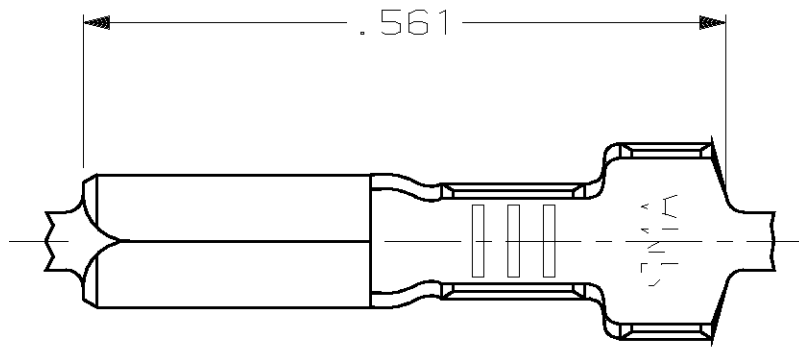
Address: A1208, Overseas Decoration Building, #122 Zhenhua RD., Futian, Shenzhen, China



THIS DRAWING IS UNPUBLISHED. RELEASED FOR PUBLICATION, 19
 © COPYRIGHT 19 BY AMP INCORPORATED. ALL INTERNATIONAL RIGHTS RESERVED.

LOC	DIST	P	F	ZONE	LTR	REVISIONS	DATE	APPD
AF	50				AA	ADDED -1 PER OG3A-0814-00	20DEC00	MF-DD

- 1 CONTINUOUS STRIP ON REELS
- 2 .000080 MIN TIN PLATE.
- 3 .000200 MIN SILVER PLATE OVER .000050 MIN NICKEL UNDERPLATE.



3	.090-.130 DIA	22-18 AWG	41854-1
2	.090-.130 DIA	22-18 AWG	41854
FINISH	INSULATION RANGE	WIRE RANGE	PART NO
DO NOT SCALE PRINT. UNLESS SPECIFIED DIMENSIONS IN INCHES TOLERANCES ON: 2 PLC DEC ± - 3 PLC DEC ± .015 ANGLES ± -	DR 4/10/90 P FORTNEY	AMP Incorporated Harrisburg, PA 17105-3608	
MATERIAL H04 BRASS	CHK 4/10/90 JR RUTH		
FINISH SEE TABLE	APPD 4/10/90 G YETTER	NAME PIN RECEPTACLE, .093 DIA	
	APPD 4/10/90 R KUZO	SIZE B	CAGE CODE 00779
	PRODUCT SPEC -	DRAWING NO 41854	
	APPLICATION SPEC -	SCALE 6:1	SHEET 1 OF 1
	WEIGHT -		