



Chipsmall Limited consists of a professional team with an average of over 10 year of expertise in the distribution of electronic components. Based in Hongkong, we have already established firm and mutual-benefit business relationships with customers from,Europe,America and south Asia,supplying obsolete and hard-to-find components to meet their specific needs.

With the principle of “Quality Parts,Customers Priority,Honest Operation,and Considerate Service”,our business mainly focus on the distribution of electronic components. Line cards we deal with include Microchip,ALPS,ROHM,Xilinx,Pulse,ON,Everlight and Freescale. Main products comprise IC,Modules,Potentiometer,IC Socket,Relay,Connector.Our parts cover such applications as commercial,industrial, and automotives areas.

We are looking forward to setting up business relationship with you and hope to provide you with the best service and solution. Let us make a better world for our industry!



Contact us

Tel: +86-755-8981 8866 Fax: +86-755-8427 6832

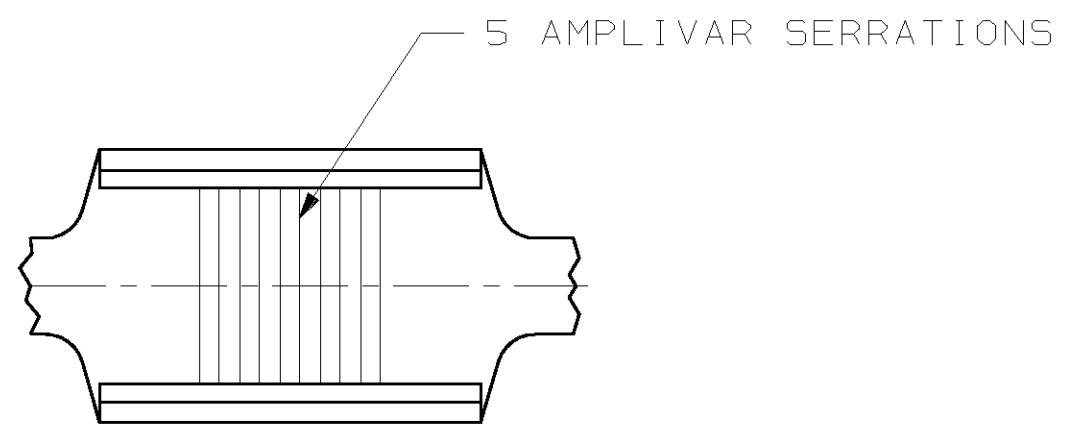
Email & Skype: info@chipsmall.com Web: www.chipsmall.com

Address: A1208, Overseas Decoration Building, #122 Zhenhua RD., Futian, Shenzhen, China

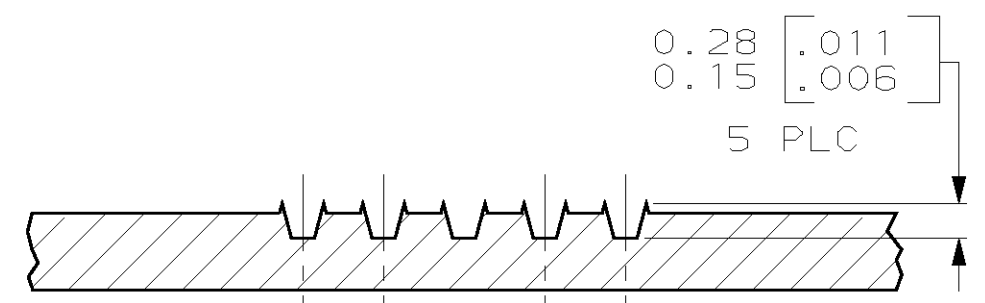
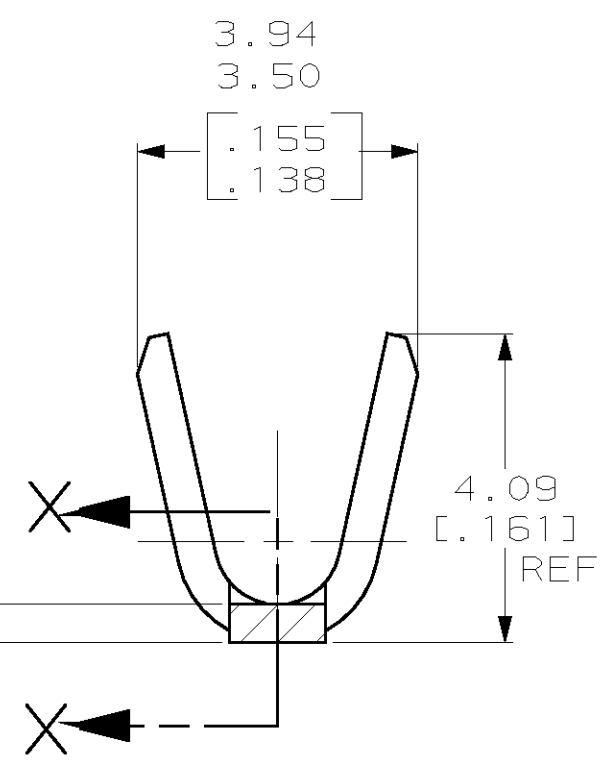
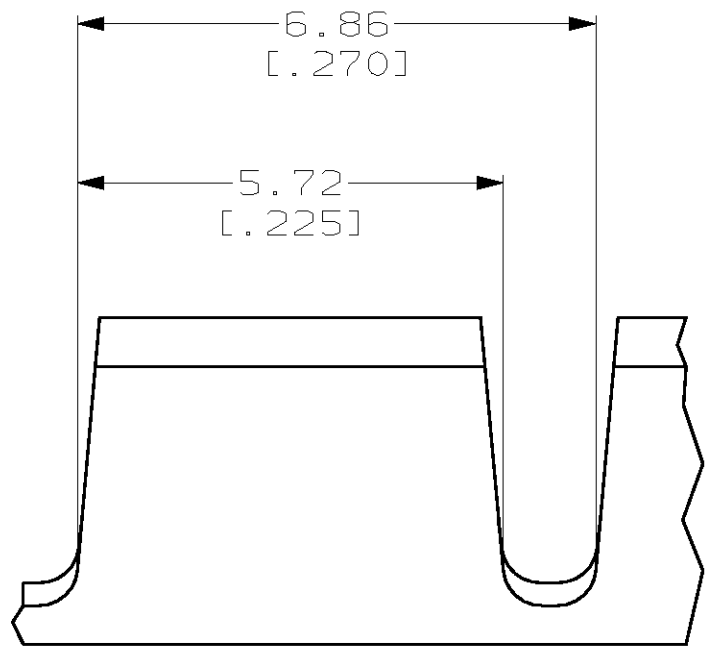


THIS DRAWING IS UNPUBLISHED. RELEASED FOR PUBLICATION ,19 .
 © COPYRIGHT 19 BY AMP INCORPORATED. ALL RIGHTS RESERVED.

LOC		DIST		REVISIONS			
P	LTR	DESCRIPTION	DATE	DWN	APVD		
AF	50	C	REVISED PER 0G3A-0280-02	03JUN02	MF	GP	



- 1 CONTINUOUS STRIP ON REELS.
 - 2 WIRE SIZE IS 1500-5000 CMA $\triangle 3$
- $\triangle 3$ CRIMP WIDTH: .110 F TYPE (AMPLIVAR THRU)
 CRIMP HEIGHT ($\pm .002$) = (TOTAL CMA + 10,700) / 193,400
 GENERAL APPLICATION GUIDELINES MUST BE FOLLOWED AS SPECIFIED IN CATALOG #82221
 FOR APPLICATOR INFORMATION CALL: 1-800-722-1111
 FOR PRODUCT INFORMATION CALL: 1-800-522-6752



SECTION A-A
 SCALE 20:1

0.51 \pm 0.025
 [.020 \pm .001]

41899
 PART NO.

THIS DRAWING IS A CONTROLLED DOCUMENT.		DWN JR RUTH 08SEP00	AMP Incorporated Harrisburg, PA 17105-3608	
DIMENSIONS: MM [INCHES]		CHK MS FEHER 08SEP00		
TOLERANCES UNLESS OTHERWISE SPECIFIED:		APVD G PORTA 08SEP00	NAME SPLICE, AMPLIVAR	
0 PLC \pm - 1 PLC \pm - 2 PLC \pm 0.38 [.015] 3 PLC \pm - 4 PLC \pm - ANGLES \pm -		PRODUCT SPEC -	DRAWING NO 114-2009	
MATERIAL 082 BRASS		FINISH 0.00254 [.000100] MIN TIN	APPLICATION SPEC 114-2009	RESTRICTED TO -
		WEIGHT -	SIZE A3	CAGE CODE 00779
		CUSTOMER DRAWING	SCALE 10:1	SHEET 1 OF 1
			DRAWING NO C- 41899	REV C