

Chipsmall Limited consists of a professional team with an average of over 10 year of expertise in the distribution of electronic components. Based in Hongkong, we have already established firm and mutual-benefit business relationships with customers from,Europe,America and south Asia,supplying obsolete and hard-to-find components to meet their specific needs.

With the principle of “Quality Parts,Customers Priority,Honest Operation,and Considerate Service”,our business mainly focus on the distribution of electronic components. Line cards we deal with include Microchip,ALPS,ROHM,Xilinx,Pulse,ON,Everlight and Freescale. Main products comprise IC,Modules,Potentiometer,IC Socket,Relay,Connector.Our parts cover such applications as commercial,industrial, and automotives areas.

We are looking forward to setting up business relationship with you and hope to provide you with the best service and solution. Let us make a better world for our industry!



Contact us

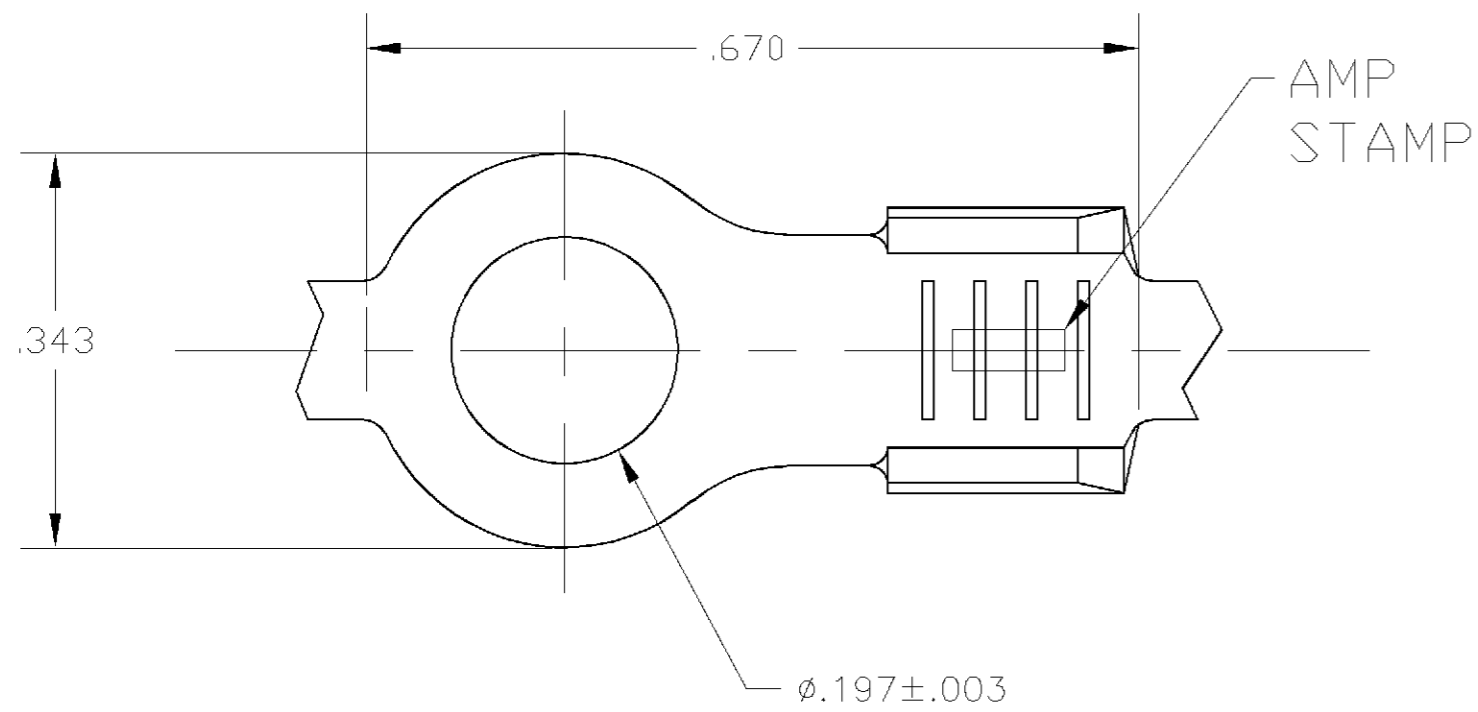
Tel: +86-755-8981 8866 Fax: +86-755-8427 6832

Email & Skype: info@chipsmall.com Web: www.chipsmall.com

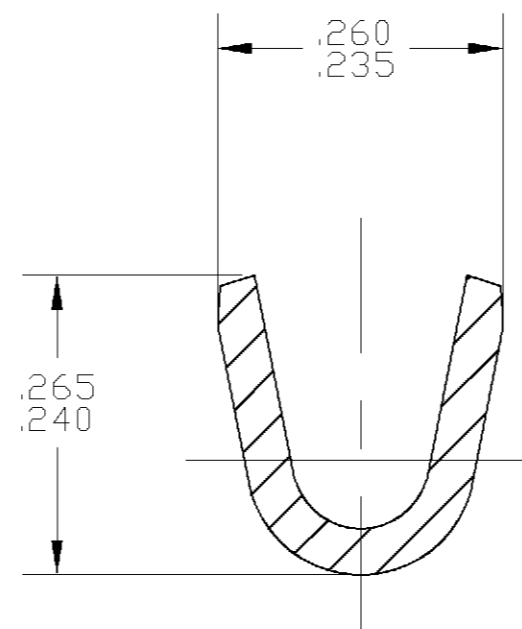
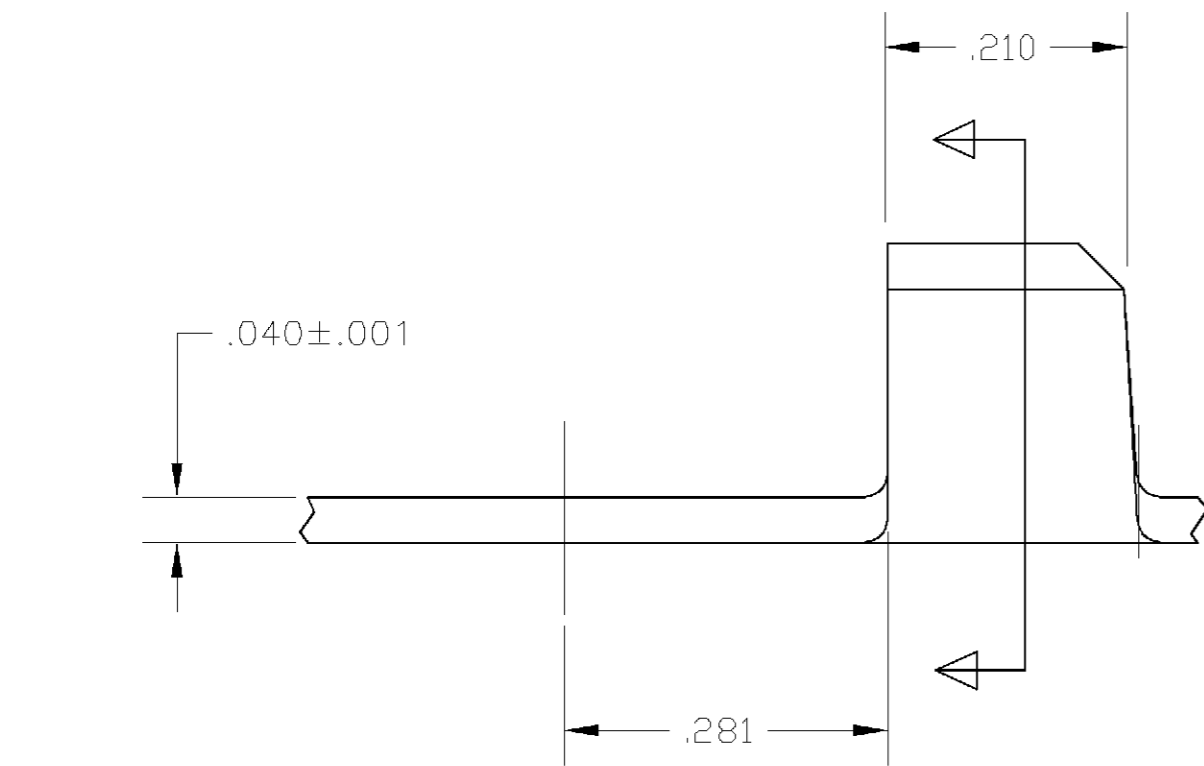
Address: A1208, Overseas Decoration Building, #122 Zhenhua RD., Futian, Shenzhen, China

THIS DRAWING IS UNPUBLISHED. RELEASED FOR PUBLICATION
 © COPYRIGHT 64 BY TYCO ELECTRONICS CORPORATION. ALL RIGHTS RESERVED.

LOC	DIST	REVISIONS					
		P	LTR	DESCRIPTION	DATE	DWN	APVD
AF	50		Z	REDRAWN PER OG3A-0051-02	14FEB02	MF	DD



- 1 CONTINUOUS STRIP ON REELS.
- 2 .000200 MIN SILVER PLATE.



OBSOLETE	12-10 AWG	2	41911-1
	12-10 AWG		41911
	WIRE RANGE	FINISH	PART NUMBER

THIS DRAWING IS A CONTROLLED DOCUMENT.		DWN MICHAEL S. FEHER 14FEB2002	Tyco Electronics Corporation Harrisburg, PA	
DIMENSIONS: INCHES		CHK DONALD DECKER 14FEB2002		
TOLERANCES UNLESS OTHERWISE SPECIFIED:		APVD DONALD DECKER 14FEB2002	NAME TERMINAL, RING #10 STUD	
0 PLC ± - 1 PLC ± - 2 PLC ± - 3 PLC ± .010 4 PLC ± - ANGLES ± 1°		PRODUCT SPEC -	SIZE A2	
MATERIAL 082 BRASS		APPLICATION SPEC -	CAGE CODE 00779	DRAWING NO C=41911
FINISH SEE TABLE		WEIGHT -	SCALE 6:1	RESTRICTED TO -
CUSTOMER DRAWING			SHEET 1 OF 1	REV Z