



Chipsmall Limited consists of a professional team with an average of over 10 year of expertise in the distribution of electronic components. Based in Hongkong, we have already established firm and mutual-benefit business relationships with customers from,Europe,America and south Asia,supplying obsolete and hard-to-find components to meet their specific needs.

With the principle of “Quality Parts,Customers Priority,Honest Operation,and Considerate Service”,our business mainly focus on the distribution of electronic components. Line cards we deal with include Microchip,ALPS,ROHM,Xilinx,Pulse,ON,Everlight and Freescale. Main products comprise IC,Modules,Potentiometer,IC Socket,Relay,Connector.Our parts cover such applications as commercial,industrial, and automotives areas.

We are looking forward to setting up business relationship with you and hope to provide you with the best service and solution. Let us make a better world for our industry!



Contact us

Tel: +86-755-8981 8866 Fax: +86-755-8427 6832

Email & Skype: info@chipsmall.com Web: www.chipsmall.com

Address: A1208, Overseas Decoration Building, #122 Zhenhua RD., Futian, Shenzhen, China



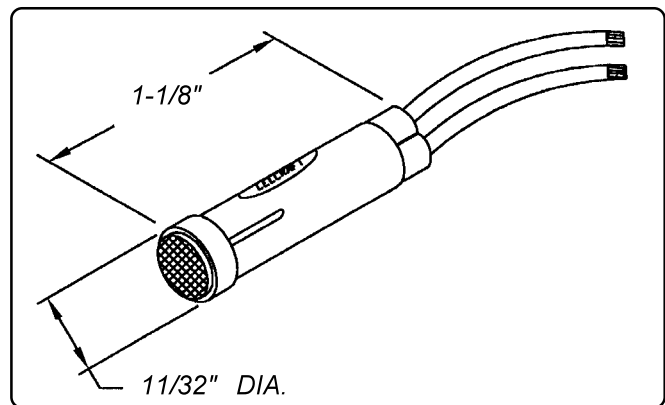
Pressfit Indicator Lights for 5/16" Dia. Mounting Hole

41 SERIES

- PRESSFIT NEON, LED & INCANDESCENT INDICATOR LIGHTS
- 5/16" DIA. MOUNTING HOLE
- WHITE NYLON HOUSING • 6" WIRE LEADS • 2 TO 250 DESIGN VOLTS
- FLUSH OR HI-HAT LENSES • ALUMINUM BEZEL
- UL RECOGNIZED • UL FILE E20356

Overview

The 41 Series Indicators feature a wide variety of lens colors, voltage options and bezel variations. Indicators are designed without any built-in resistors for Neon Applications. An external resistor of 120K Ohm, 1/3Watt, 5% tolerance, is required for 220 Volt applications; 30K Ohm, 1/3 Watt, 5% tolerance, is required for 125V applications. Indicators mount into a 5/16", (7.93mm) mounting hole with a recommended panel thickness of 0.020" minimum. A speed nut, part number **8700071688**, is supplied. **Note: units with internal resistors are available for those customers requiring indicator lights with built-in resistors - contact the factory for information.**



Specifications

Housing: white nylon. A black housing is available.

Lens: polycarbonate.

Bezel: aluminum. A black anodized bezel is available.

Incandescent AC or DC voltage options: 6, 14 and 28 volts.

Neon AC or DC voltage options: 125 and 250 volts.

Note: high brightness green and blue neon lamps supplied in green and blue neon applications.

LED DC voltage options: 2, 6, 12, 24 volts.

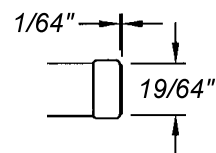
LED AC voltage options: 125 volts.

Note: 125 volts AC units contain a bi-polar LED.

Two 6" wire leads: #20 AWG, black, bare copper, PVC insulated, UL/CSA rated 105°C, 600 V, UL style 1015, stripped 1/2". For DC LED units, wire leads are color-coded red and black; the red wire lead denotes the anode (+) while a black wire lead identifies the cathode (-). For AC LED units, wire leads are white. Custom wire lengths, stripping, termination and wire types are available.

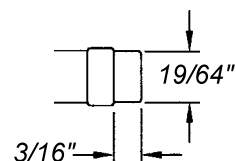
Flush Lens Style

With bezel



Hi-Hat Lens Style

With bezel



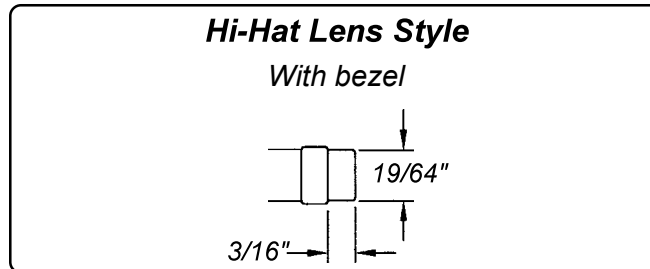
Can't find it here? We have many more standard and custom solutions

For further information, phone Customer Service at 800.522.5546.

Pressfit Indicator Lights for 5/16" Dia. Mounting Hole

41 SERIES

Aluminum Bezel
Neon or
Incandescent
6 to 250 Design Volts



6" Wire Leads
White Housing
Hi-Hat Lens
Variety of
Lens Colors
PressFit Mounting

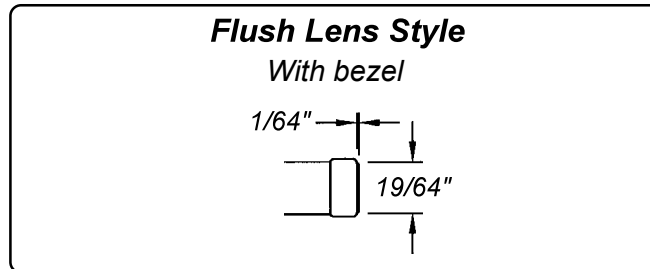
Part Number With Aluminum Bezel	Lens Color	Lamp Type	Design Volts	Design Watts or Amps	Life (hrs)
41EN-2111	Red	Neon	250 MAX	1/3W	25,000
41ENG1-2111	Red	Incandescent	6	.20A	5,000
41ENG3-2111	Red	Incandescent	14	.10A	10,000
41ENG18-2111	Red	Incandescent	28	.04A	7,000
41EN-2112	Green	Neon	250 MAX	1/3W	25,000
41ENG1-2112	Green	Incandescent	6	.20A	5,000
41ENG3-2112	Green	Incandescent	14	.10A	10,000
41ENG18-2112	Green	Incandescent	28	.04A	7,000
41EN-2113	Amber	Neon	250 MAX	1/3W	25,000
41ENG1-2113	Amber	Incandescent	6	.20A	5,000
41ENG3-2113	Amber	Incandescent	14	.10A	10,000
41ENG18-2113	Amber	Incandescent	28	.04A	7,000
41EN-2114	Blue	Neon	250 MAX	1/3W	25,000
41ENG1-2114	Blue	Incandescent	6	.20A	5,000
41ENG3-2114	Blue	Incandescent	14	.10A	10,000
41ENG18-2114	Blue	Incandescent	28	.04A	7,000
41EN-2115	White	Neon	250 MAX	1/3W	25,000
41ENG1-2115	White	Incandescent	6	.20A	5,000
41ENG3-2115	White	Incandescent	14	.10A	10,000
41ENG18-2115	White	Incandescent	28	.04A	7,000
41EN-2117	Clear	Neon	250 MAX	1/3W	25,000
41ENG1-2117	Clear	Incandescent	6	.20A	5,000
41ENG3-2117	Clear	Incandescent	14	.10A	10,000
41ENG18-2117	Clear	Incandescent	28	.04A	7,000

Note: The 41 Series Indicator is designed without any built-in resistors for Neon Applications. An external resistor of 120K Ohm, 1/3Watt, 5% tolerance, is required for 220 Volt applications; 30K Ohm, 1/3 Watt, 5% tolerance, is required for 125V applications.

Units with internal resistors are available for those applications requiring indicator lights with built-in resistors, contact the factory for information.

Pressfit Indicator Lights for 5/16" Dia. Mounting Hole

41 SERIES
Aluminum Bezel
Neon or
Incandescent
6 to 250 Design Volts



6" Wire Leads
White Housing
Flush Lens
Variety of
Lens Colors
PressFit Mounting

Part Number With Aluminum Bezel	Lens Color	Lamp Type	Design Volts	Design Watts or Amps	Life (hrs)
41EN-2311	Red	Neon	250 MAX	1/3W	25,000
41ENG1-2311	Red	Incandescent	6	.20A	5,000
41ENG3-2311	Red	Incandescent	14	.10A	10,000
41ENG18-2311	Red	Incandescent	28	.04A	7,000
41EN-2312	Green	Neon	250 MAX	1/3W	25,000
41ENG1-2312	Green	Incandescent	6	.20A	5,000
41ENG3-2312	Green	Incandescent	14	.10A	10,000
41ENG18-2312	Green	Incandescent	28	.04A	7,000
41EN-2313	Amber	Neon	250 MAX	1/3W	25,000
41ENG1-2313	Amber	Incandescent	6	.20A	5,000
41ENG3-2313	Amber	Incandescent	14	.10A	10,000
41ENG18-2313	Amber	Incandescent	28	.04A	7,000
41EN-2314	Blue	Neon	250 MAX	1/3W	25,000
41ENG1-2314	Blue	Incandescent	6	.20A	5,000
41ENG3-2314	Blue	Incandescent	14	.10A	10,000
41ENG18-2314	Blue	Incandescent	28	.04A	7,000
41EN-2315	White	Neon	250 MAX	1/3W	25,000
41ENG1-2315	White	Incandescent	6	.20A	5,000
41ENG3-2315	White	Incandescent	14	.10A	10,000
41ENG18-2315	White	Incandescent	28	.04A	7,000
41EN-2317	Clear	Neon	250 MAX	1/3W	25,000
41ENG1-2317	Clear	Incandescent	6	.20A	5,000
41ENG3-2317	Clear	Incandescent	14	.10A	10,000
41ENG18-2317	Clear	Incandescent	28	.04A	7,000

Note: The 41 Series Indicator is designed without any built-in resistors for Neon Applications. An external resistor of 120K Ohm, 1/3Watt, 5% tolerance, is required for 220 Volt applications; 30K Ohm, 1/3 Watt, 5% tolerance, is required for 125V applications.

Units with internal resistors are available for those applications requiring indicator lights with built-in resistors, contact the factory for information.