



Chipsmall Limited consists of a professional team with an average of over 10 year of expertise in the distribution of electronic components. Based in Hongkong, we have already established firm and mutual-benefit business relationships with customers from,Europe,America and south Asia,supplying obsolete and hard-to-find components to meet their specific needs.

With the principle of “Quality Parts,Customers Priority,Honest Operation,and Considerate Service”,our business mainly focus on the distribution of electronic components. Line cards we deal with include Microchip,ALPS,ROHM,Xilinx,Pulse,ON,Everlight and Freescale. Main products comprise IC,Modules,Potentiometer,IC Socket,Relay,Connector.Our parts cover such applications as commercial,industrial, and automotives areas.

We are looking forward to setting up business relationship with you and hope to provide you with the best service and solution. Let us make a better world for our industry!



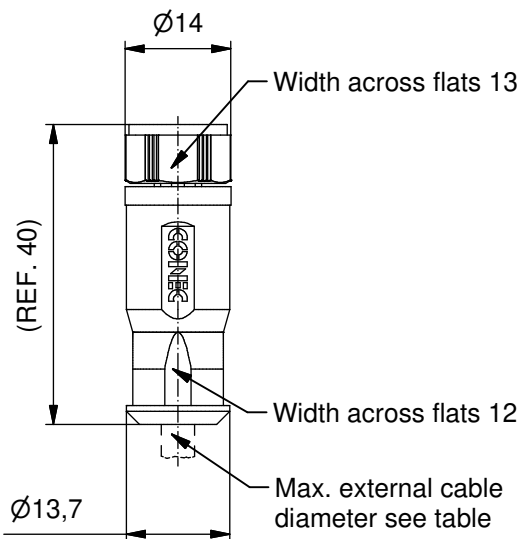
Contact us

Tel: +86-755-8981 8866 Fax: +86-755-8427 6832

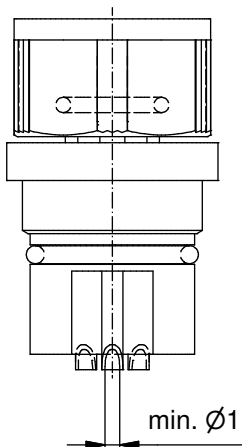
Email & Skype: info@chipsmall.com Web: www.chipsmall.com

Address: A1208, Overseas Decoration Building, #122 Zhenhua RD., Futian, Shenzhen, China



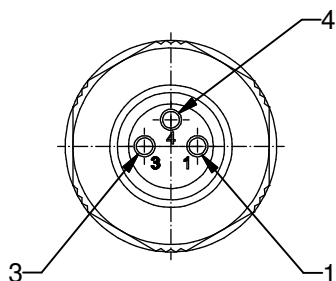


Inner view (2 : 1)

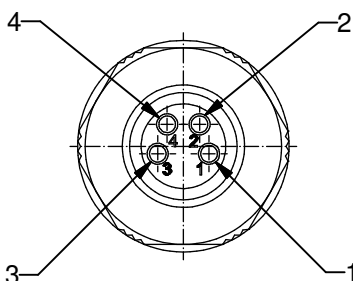


Technical specification:

Rated voltage: IEC 61076-2-104	3pos 60 V	4pos 30 V
Current rating: IEC 61076-2-104	3 A at 40°C with 0,25mm²	
Insulation resistance: IEC 60512	≥ 100 MΩ	
Pollution degree: IEC 60664-1	3/2	
Degree of protection: IEC 60529	IP 67, in mated condition	
Temperature range: IEC 60664-1	-30°C ... +85°C	
Mating cycles: IEC 60512-9a	≥ 100	



3 pos



4 pos

Materials:

Contact:	CuZn
Contact plating:	Au over Ni in mating area
Contact carrier:	PA6 GF, UL 94
Cable sealing:	NBR
O-Ring:	Silicone
Coupling nut:	Die cast, nickel plated
Housing:	PA6 GF, UL 94


Installation specification:

Recommended torque:	0,4 Nm
Conec installation tool:	Torque wrench: 36-000200 Insert across flats 13: 36-000220



Part no:	Description:	Pos:	Cable-Ø:
42-00006	SAL - 8 - RKC3 - L	3	4 - 5,5mm
42-00008	SAL - 8 - RKC4 - L	4	4 - 5,5mm

DO NOT ALTER CAD DRAWING BY HAND Directive 2002/95/EC RoHS compliant	Index: c 10.08.11 K.H. Ä4071 Rated voltage and Current rating updated	dim. in mm	
	tolerance of cable:	date	name
	general tolerance:	drawn	appd.
	0 ± 0,50mm 0,0 ± 0,25mm 0,00 ± 0,10mm	16.12.10	16.12.10



title:	Female connector M8x1, solder cup, axial, solder connection
dwg no:	42K1A284
part no:	see table