



Chipsmall Limited consists of a professional team with an average of over 10 year of expertise in the distribution of electronic components. Based in Hongkong, we have already established firm and mutual-benefit business relationships with customers from,Europe,America and south Asia,supplying obsolete and hard-to-find components to meet their specific needs.

With the principle of "Quality Parts,Customers Priority,Honest Operation,and Considerate Service",our business mainly focus on the distribution of electronic components. Line cards we deal with include Microchip,ALPS,ROHM,Xilinx,Pulse,ON,Everlight and Freescale. Main products comprise IC,Modules,Potentiometer,IC Socket,Relay,Connector.Our parts cover such applications as commercial,industrial, and automotives areas.

We are looking forward to setting up business relationship with you and hope to provide you with the best service and solution. Let us make a better world for our industry!



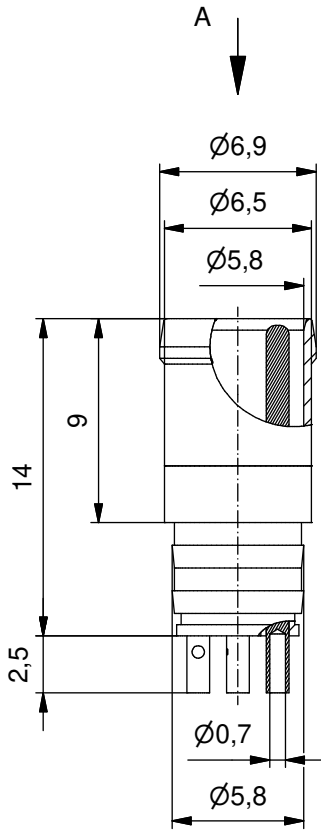
## Contact us

Tel: +86-755-8981 8866 Fax: +86-755-8427 6832

Email & Skype: info@chipsmall.com Web: www.chipsmall.com

Address: A1208, Overseas Decoration Building, #122 Zhenhua RD., Futian, Shenzhen, China





**Technical specification:**

Rated voltage: 3pos 4pos  
IEC 61076-2-104 60 V 30 V

Current rating: 3 A bei 40°C  
IEC 61076-2-104

Insulation resistance: >=100 MΩ  
IEC 60512

Pollution degree: 3/2  
IEC 60664-1

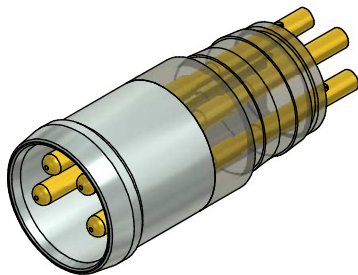
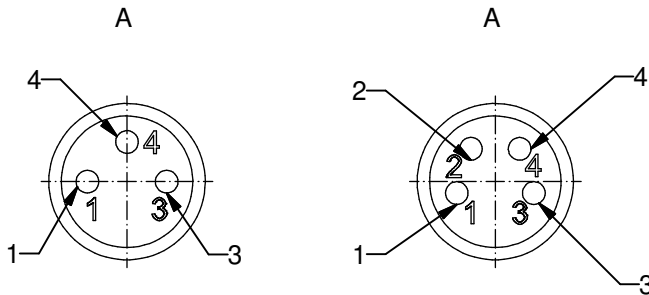
Degree of protection: IP 67, in mated condition  
IEC 60529

Temperature range: -30°C ... +85°C  
IEC 60664-1

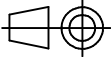

Mating cycles: >=100  
IEC 60512-9a

**Materials:**

Contact: CuZn  
Contact plating: Nickel, gold plated  
Contact carrier: PA , UL 94  
Socket housing: CuZn, Nickel plated



Part no:	Description:	Pos
42-01002	SAL - 8 - ESTM3 - L	3
42-01003	SAL - 8 - ESTM4 - L	4

DO NOT ALTER CAD DRAWING BY HAND Directive 2002/95/EC RoHS compliant	Index: a 02.03.11 fro Ä3914 Data sheet revised	 dim. in mm	title: <b>Male socket M8x1 with soldering version</b>									
				<table border="1"> <thead> <tr> <th></th> <th>date</th> <th>name</th> </tr> </thead> <tbody> <tr> <td>drawn</td> <td>15.10.08</td> <td>Fromm</td> </tr> <tr> <td>appd.</td> <td>15.10.08</td> <td>Mankopf</td> </tr> </tbody> </table>		date	name	drawn	15.10.08	Fromm	appd.	15.10.08
		date		name								
	drawn	15.10.08		Fromm								
appd.	15.10.08	Mankopf										
THIS DRAWING MAY NOT BE COPIED OR REPRODUCED IN ANY WAY, AND MAY NOT BE PASSED ON TO A THIRD PARTY WITHOUT WRITTEN PERMISSION. OWNERSHIP AND COPYRIGHT OF CONEC GmbH		dwg no:										
		<b>42K1A111</b>										
		part no:										