



Chipsmall Limited consists of a professional team with an average of over 10 year of expertise in the distribution of electronic components. Based in Hongkong, we have already established firm and mutual-benefit business relationships with customers from,Europe,America and south Asia,supplying obsolete and hard-to-find components to meet their specific needs.

With the principle of “Quality Parts,Customers Priority,Honest Operation,and Considerate Service”,our business mainly focus on the distribution of electronic components. Line cards we deal with include Microchip,ALPS,ROHM,Xilinx,Pulse,ON,Everlight and Freescale. Main products comprise IC,Modules,Potentiometer,IC Socket,Relay,Connector.Our parts cover such applications as commercial,industrial, and automotives areas.

We are looking forward to setting up business relationship with you and hope to provide you with the best service and solution. Let us make a better world for our industry!



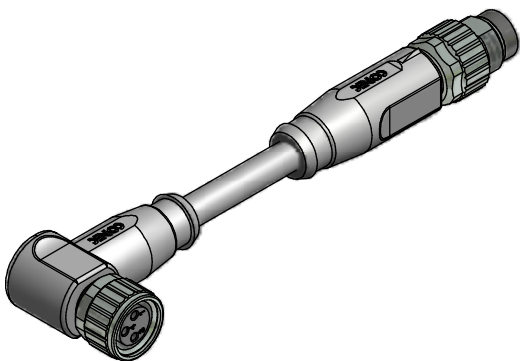
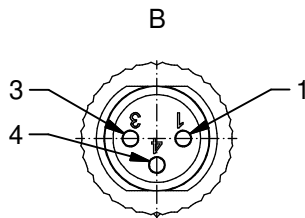
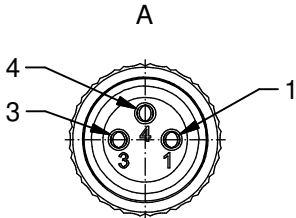
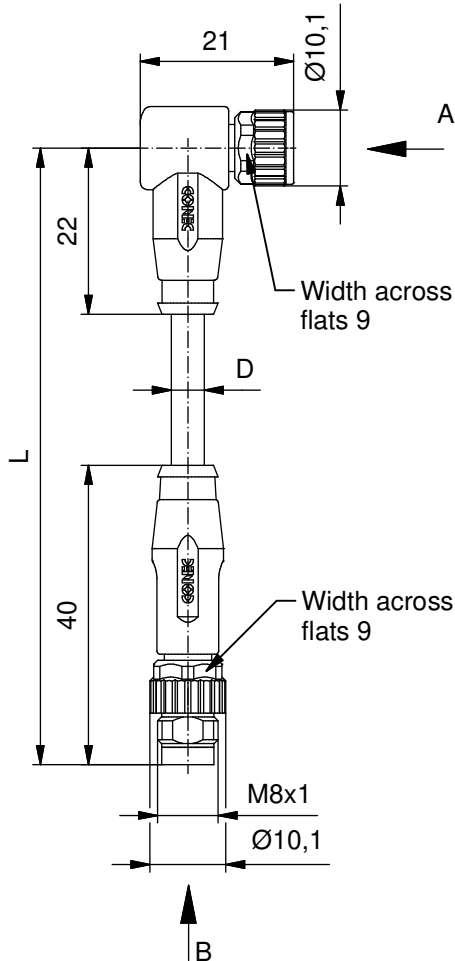
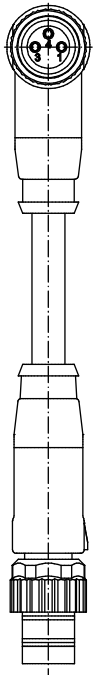
Contact us

Tel: +86-755-8981 8866 Fax: +86-755-8427 6832

Email & Skype: info@chipsmall.com Web: www.chipsmall.com

Address: A1208, Overseas Decoration Building, #122 Zhenhua RD., Futian, Shenzhen, China





Technical specification :

Rated voltage: IEC 61076-2-104	60 V
Current rating: IEC 61076-2-104	3 A at 40°C
Insulation resistance: IEC 60512	≥100 MΩ
Pollution degree: IEC 60664-1	3/2
Degree of protection: IEC 60529	IP 67, in mated condition
Temperature range: IEC 60664-1	-30°C ... +80°C
Mating cycles: IEC 60512-9a	≥100
Materials:	
Contact:	CuZn
Contact plating:	Nickel, gold plated
Contact carrier:	TPU GF, UL 94
Sealing:	FPM
Coupling nut/ screw:	GD-Zn, nickel plated
Moulding body:	TPU, UL 94, grey

Installation specification:

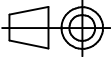
Recommended torque:	0,4 Nm
Conec installation tool:	Torque wrench: 36-000200 Insert across flats 9: 36-000210

Contact assignment:

- 1) brown
- 3) blue
- 4) black

Part no:	Description:	Length L:	Cable:
42-10149	SAL - 8 - RKW3 - RS3 - 0,3 / A1	0,3m	PVC, grey, 3x0,25mm ² Cable: 781-A12300
42-10150	SAL - 8 - RKW3 - RS3 - 0,6 / A1	0,6m	
42-10151	SAL - 8 - RKW3 - RS3 - 1,5 / A1	1,5m	
42-10152	SAL - 8 - RKW3 - RS3 - 3 / A1	3,0m	
42-xxxxx	SAL - 8 - RKW3 - RS3 - ... / A1	x	

D see data sheet cable

DO NOT ALTER CAD DRAWING BY HAND	Directive 2002/95/EC RoHS compliant	Index: a 17.03.11 VF Ä3945 Coupling nut/ screw modified, spanner flats added, data sheet modified	 dim. in mm	title: Connecting cable M8x1, female connector angled - male connector axial dwg no: 42K1A037 part no: see table						
		tolerance of cable: L ≤ 4m: L + 40mm L > 4m: L + 1%			<table border="1"> <tr> <td>date</td> <td>name</td> </tr> <tr> <td>drawn 13.12.07</td> <td>Franz</td> </tr> <tr> <td>appd. 13.12.07</td> <td>Mankopf</td> </tr> </table>	date	name	drawn 13.12.07	Franz	appd. 13.12.07
		date	name							
		drawn 13.12.07	Franz							
appd. 13.12.07	Mankopf									
THIS DRAWING MAY NOT BE COPIED OR REPRODUCED IN ANY WAY, AND MAY NOT BE PASSED ON TO A THIRD PARTY WITHOUT WRITTEN PERMISSION. OWNERSHIP AND COPYRIGHT OF CONEC GmbH	