



Chipsmall Limited consists of a professional team with an average of over 10 year of expertise in the distribution of electronic components. Based in Hongkong, we have already established firm and mutual-benefit business relationships with customers from,Europe,America and south Asia,supplying obsolete and hard-to-find components to meet their specific needs.

With the principle of “Quality Parts,Customers Priority,Honest Operation,and Considerate Service”,our business mainly focus on the distribution of electronic components. Line cards we deal with include Microchip,ALPS,ROHM,Xilinx,Pulse,ON,Everlight and Freescale. Main products comprise IC,Modules,Potentiometer,IC Socket,Relay,Connector.Our parts cover such applications as commercial,industrial, and automotives areas.

We are looking forward to setting up business relationship with you and hope to provide you with the best service and solution. Let us make a better world for our industry!



## Contact us

Tel: +86-755-8981 8866 Fax: +86-755-8427 6832

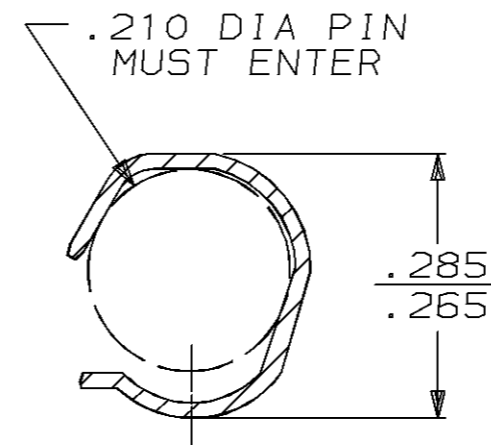
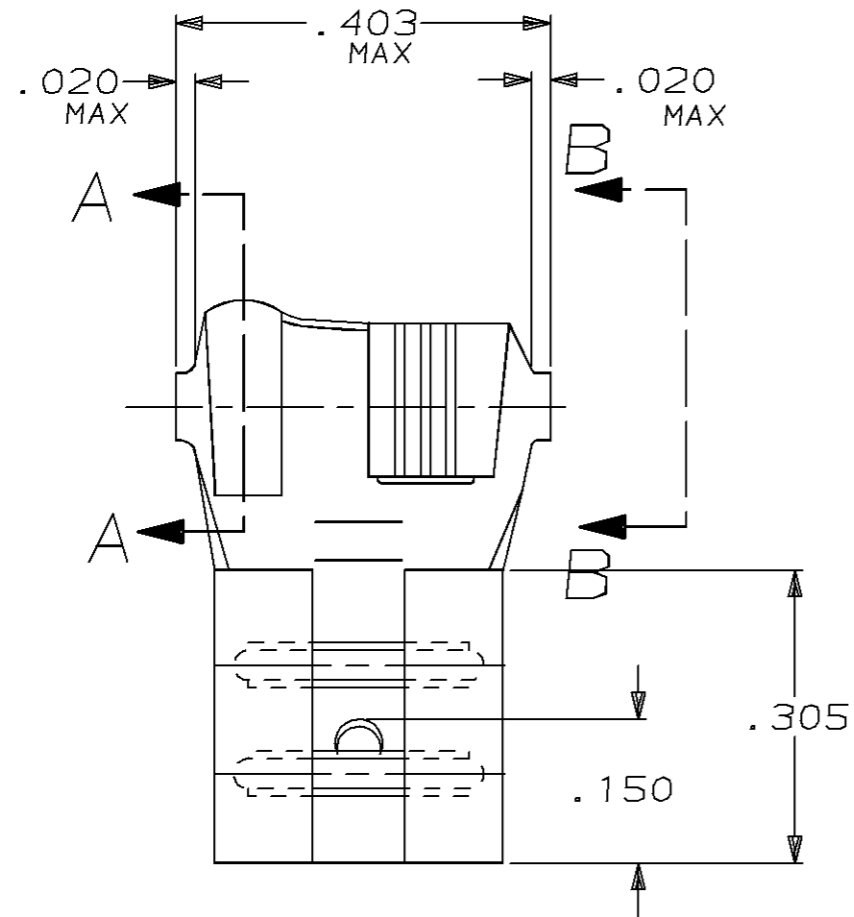
Email & Skype: info@chipsmall.com Web: www.chipsmall.com

Address: A1208, Overseas Decoration Building, #122 Zhenhua RD., Futian, Shenzhen, China

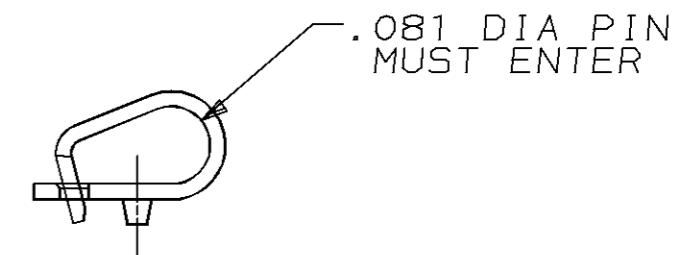


THIS DRAWING IS UNPUBLISHED. RELEASED FOR PUBLICATION, 19  
 © COPYRIGHT 19 BY AMP INCORPORATED, HARRISBURG, PA. ALL INTERNATIONAL RIGHTS RESERVED. AMP PRODUCTS MAY BE COVERED BY U.S. AND FOREIGN PATENTS AND/OR PATENTS PENDING.

LOC	DIST	P	F	ZONE	LTR	DESCRIPTION	DATE	APPROVED
AF	50				A	ADDED NOTES 3 & 4 PER 0551-94	11/2/94	JR/PD



SECTION A-A



VIEW B-B

- 1 WIRE AND INSULATION BARRELS TO BE PREFORMED AS SHOWN IN CUT OFF OPERATION.
- 2 SUPPLIED IN LOOSE PIECE.
- 3 FOREIGN PRODUCTION ONLY.
- 4 MAKE FROM P/N 41800

2.79-5.33 [.110-.210]		0.8-3.0mm <sup>2</sup> [18-12]		0.81 [.032]		42015	
INSULATION RANGE		WIRE SIZE		±0.025 [±.001] TAB THK		PART NO	
UNLESS OTHERWISE SPECIFIED DIMENSIONS ARE IN MM TOLERANCES ON: 2 PL DEC ± - 3 PL DEC ± 0.38 [.015] ANGLES ± -		DR 11/16/93 JR RUTH		AMP INCORPORATED Harrisburg, Pa. 17105			
		CHK 11/16/93 MS FEHER					
MATERIAL T3 PHOS BRZ		APPD 11/16/93 P DESANTIS		NAME RECEPTACLE, FASTON,™ FLAG, .250 SERIES			
		APPD 11/16/93 R REINER		SIZE <b>B</b>			
FINISH TIN		PRODUCT SPEC -		FSCM NO 00779		DRAWING NO 42015	
		APPLICATION SPEC -		SCALE NTS		SHEET 1 OF 1	
		WEIGHT -					