



Chipsmall Limited consists of a professional team with an average of over 10 year of expertise in the distribution of electronic components. Based in Hongkong, we have already established firm and mutual-benefit business relationships with customers from,Europe,America and south Asia,supplying obsolete and hard-to-find components to meet their specific needs.

With the principle of “Quality Parts,Customers Priority,Honest Operation,and Considerate Service”,our business mainly focus on the distribution of electronic components. Line cards we deal with include Microchip,ALPS,ROHM,Xilinx,Pulse,ON,Everlight and Freescale. Main products comprise IC,Modules,Potentiometer,IC Socket,Relay,Connector.Our parts cover such applications as commercial,industrial, and automotives areas.

We are looking forward to setting up business relationship with you and hope to provide you with the best service and solution. Let us make a better world for our industry!



## Contact us

Tel: +86-755-8981 8866 Fax: +86-755-8427 6832

Email & Skype: info@chipsmall.com Web: www.chipsmall.com

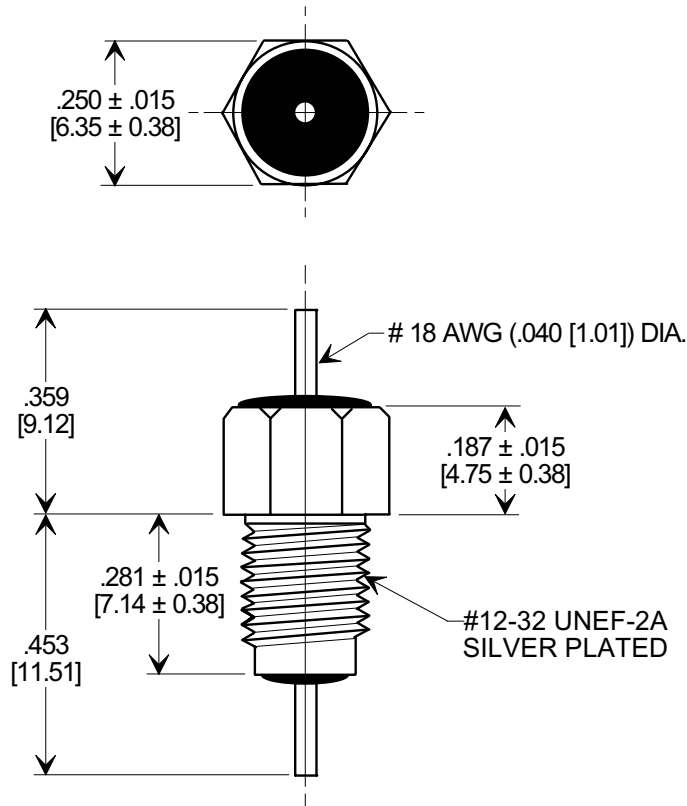
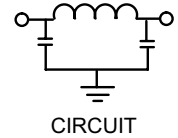
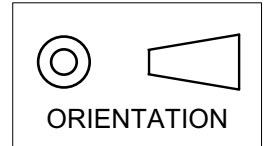
Address: A1208, Overseas Decoration Building, #122 Zhenhua RD., Futian, Shenzhen, China



# MARKETING SALES DRAWING

**DIMENSIONS IN INCHES - DO NOT SCALE THIS DRAWING**  
**DIMENSIONS IN METRIC - [ ]**

Electrical Testing  
 per Tusonix standard  
 test plans and Mil-Std-202  
 Test Methods.



**NOTES:**

1. TUSONIX STANDARD PART NUMBER: 4202-004.  
 TUSONIX RoHS COMPLIANT PART NUMBER: 4202-004 LF.  
 CUSTOMER MUST SPECIFY STANDARD OR RoHS PART NUMBER WHEN ORDERING.
2. LEAD FINISH: STANDARD PART NO.: 60/40 SOLDER PLATED.  
 RoHS PART NO.: SILVER PLATED.
3. PART MARKING: STANDARD BLACK INK FOR VARIATION AND DATE CODE. RoHS PART: GREEN FOR VARIATION AND DATE CODE.
4. SUPPLIED WITH SILVER PLATED MOUNTING HEX NUT AND LOCK WASHER.

GMV CAP. (pF)	WORKING VOLTAGE (VDC)		CURRENT (Idc)	I.R. MIN. @ 100 (VDC.)	DWV (VDC)	MINIMUM NO LOAD INSERTION LOSS (dB) AT 25°C PER MIL-STD -220			
	85°C	125 °C				10 MHz	100 MHz	1 GHz	10 GHz
2500	500	350	15A	10 G Ω	1200	5	50	70	70

X-2015 Rev-0 <b>REVISION RECORD</b>	<b>0</b>	Original Release C.O.	4202-004S WAS SK 6764-000 S L.E. 01-13-84	<b>1</b>	WORKING VOLTAGE REV'D -85 WAS -55 & 350 ADDED L.E. 3-3-91	<b>2</b>	C.O. 5800	RDN TO COMP FMT & METRIC ADDED L.E. 08-31-01	<b>3</b>	20010830-1-01	ADDED NOTES 1-3, DWV & I.R. S.M. 04-12-05	<b>4</b>	20050407-6-02	--TOLERANCES-- Unless Otherwise Specified DECIMAL ± .031 [0.79] ANGLES ±		Title <h2 style="text-align: center;">BUSHING STYLE EMI FILTER</h2>		Drawn L.E. 08-30-01 Scale 3 X
	Approved T.C. 08-30-01																	
	<b>TUSONIX</b> TUCSON, ARIZONA													<b>A</b>	<b>4202-004</b>			