



Chipsmall Limited consists of a professional team with an average of over 10 year of expertise in the distribution of electronic components. Based in Hongkong, we have already established firm and mutual-benefit business relationships with customers from,Europe,America and south Asia,supplying obsolete and hard-to-find components to meet their specific needs.

With the principle of “Quality Parts,Customers Priority,Honest Operation,and Considerate Service”,our business mainly focus on the distribution of electronic components. Line cards we deal with include Microchip,ALPS,ROHM,Xilinx,Pulse,ON,Everlight and Freescale. Main products comprise IC,Modules,Potentiometer,IC Socket,Relay,Connector.Our parts cover such applications as commercial,industrial, and automotives areas.

We are looking forward to setting up business relationship with you and hope to provide you with the best service and solution. Let us make a better world for our industry!



Contact us

Tel: +86-755-8981 8866 Fax: +86-755-8427 6832

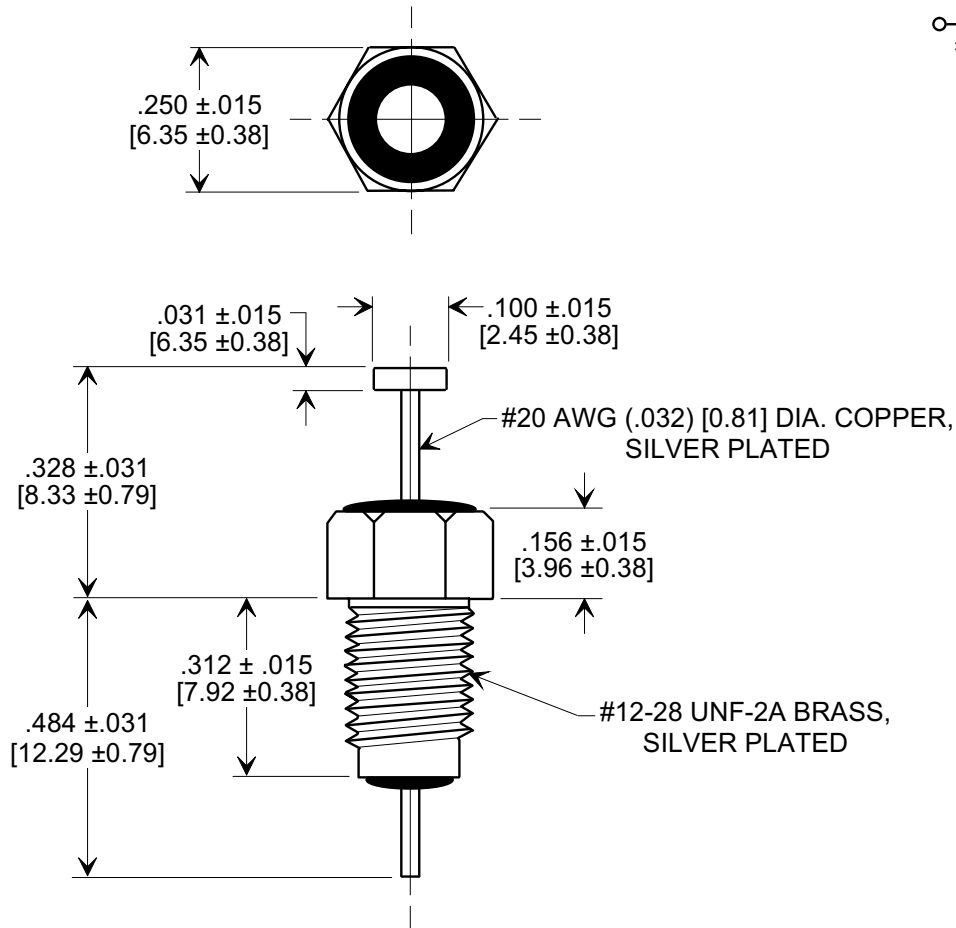
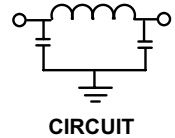
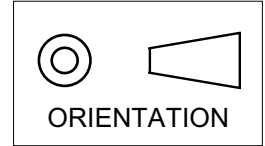
Email & Skype: info@chipsmall.com Web: www.chipsmall.com

Address: A1208, Overseas Decoration Building, #122 Zhenhua RD., Futian, Shenzhen, China



MARKETING SALES DRAWING
DIMENSIONS IN INCHES - DO NOT SCALE THIS DRAWING
DIMENSIONS IN METRIC - []

Electrical Testing
per Tusonix standard
test plans and Mil-Std-202
Test Methods.



NOTES:

- SUPPLIED WITH SILVER PLATED HEX NUT AND LOCK WASHER.
- TUSONIX STANDARD PART NUMBER: 4202-021.
TUSONIX RoHS COMPLIANT PART NUMBER: 4202-021 LF.
CUSTOMER MUST SPECIFY STANDARD OR RoHS PART NUMBER WHEN ORDERING.
- PART MARKING: TRADEMARK AND VARIATION NUMBER ON HEX FLATS.
STANDARD PART: BLACK INK. RoHS PART: GREEN INK.

MIN. CAP. (pF)	WORKING VOLTAGE (WVdc)		CURRENT (Idc)	DWV (VDC)	I.R. MIN. @ 100 VDC	MINIMUM NO LOAD INSERTION LOSS (dB) AT 25°C PER MIL-STD -220			
	85°C	125°C				10 MHz	100 MHz	1 GHz	10 GHz
1500	350	200	10 A	700	10 G	5	45	70	70

X-2015 Rev-0 REVISION RECORD Original Release C.O. 1617 CURRENT UNIT "A" ADDED. L.E. 8-20-85 2595 RDN TO COMP FMT & ADDED METRIC. S.M. 02-12-02 20020213-3-09 ADDED NOTES 2, 3 & REF. TO PLATING ON LEAD & BUSHING. S.M. 05-18-05 20050503-6-13	0	--TOLERANCES-- Unless Otherwise Specified DECIMAL ± ANGLES ±	Title BUSHING STYLE EMI FILTER		
	1		Drawn S.M. 02-12-02	Scale 3 X	
	2		Approved T.C. 02-12-02	A	4202-021
	3		TUSONIX TUCSON, ARIZONA		