



Chipsmall Limited consists of a professional team with an average of over 10 year of expertise in the distribution of electronic components. Based in Hongkong, we have already established firm and mutual-benefit business relationships with customers from,Europe,America and south Asia,supplying obsolete and hard-to-find components to meet their specific needs.

With the principle of "Quality Parts,Customers Priority,Honest Operation,and Considerate Service",our business mainly focus on the distribution of electronic components. Line cards we deal with include Microchip,ALPS,ROHM,Xilinx,Pulse,ON,Everlight and Freescale. Main products comprise IC,Modules,Potentiometer,IC Socket,Relay,Connector.Our parts cover such applications as commercial,industrial, and automotives areas.

We are looking forward to setting up business relationship with you and hope to provide you with the best service and solution. Let us make a better world for our industry!



Contact us

Tel: +86-755-8981 8866 Fax: +86-755-8427 6832

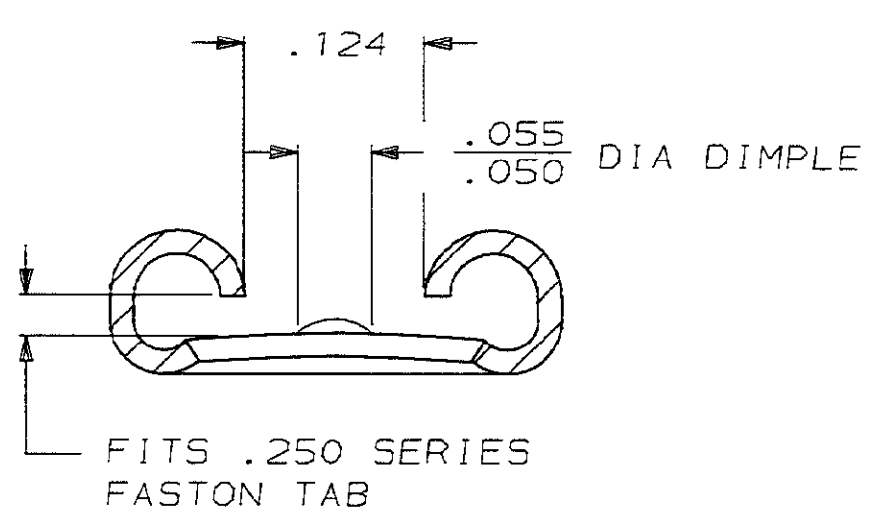
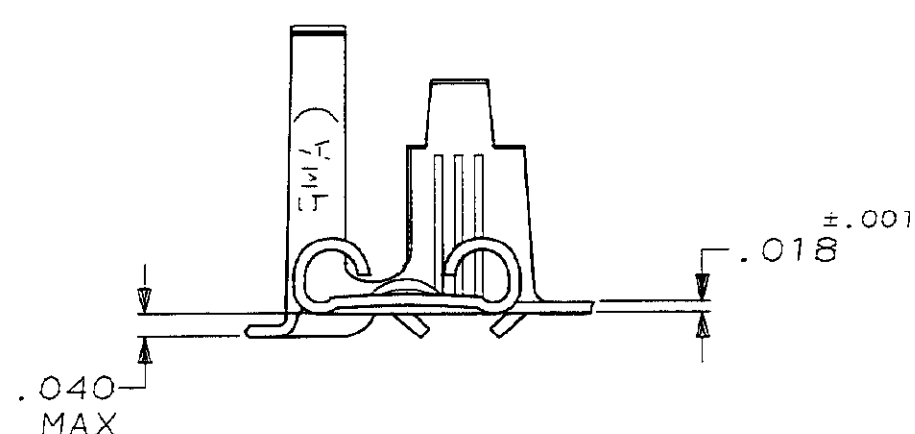
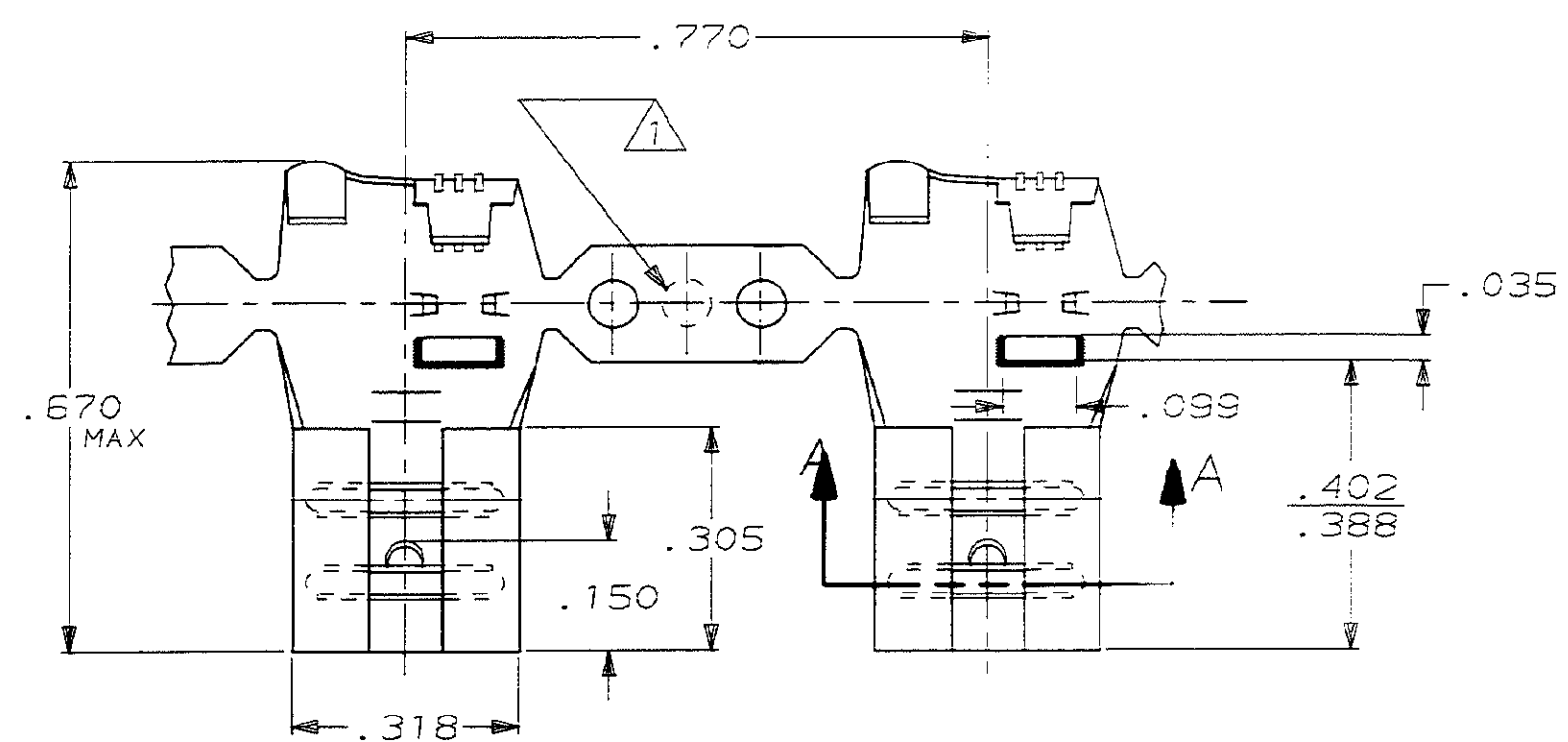
Email & Skype: info@chipsmall.com Web: www.chipsmall.com

Address: A1208, Overseas Decoration Building, #122 Zhenhua RD., Futian, Shenzhen, China



THIS DRAWING IS UNPUBLISHED. RELEASED FOR PUBLICATION, 19
 © COPYRIGHT 19 BY AMP INCORPORATED. ALL INTERNATIONAL RIGHTS RESERVED.

LOC		DIST		ZONE		LTR		REVISIONS		
AF	50	P	F			T		DESCRIPTION	DATE	APPD
								REDRAWN & SEP FROM 41799	7/11/89	JR/CM



SECTION A-A
SCALE 8:1

- 1 SINGLE OR DOUBLE PILOT HOLE OPTIONAL
- 2 MAX FIRST INSERTION FORCE, 20 LBS. USING GAGE 100505.

.110-.210	18-12	.032	42041
INSULATION RANGE	WIRE SIZE	MATING TAB THK ±.001	PART NO
DO NOT SCALE PRINT. UNLESS SPECIFIED DIMENSIONS IN INCHES TOLERANCES ON: 2 PLC DEC ± - 3 PLC DEC ± .015 ANGLES ± -	DR 7/12/89 JR RUTH CHK 7/12/89 MS FEHER APPD 7/12/89 C MEYERS APPD 7/12/89 R KUZO	AMP INCORPORATED Harrisburg, Pa. 17105	
MATERIAL #3H PHOS BRZ	PRODUCT SPEC -	NAME RECEPTACLE, FASTON, FLAG, .250 SERIES	
FINISH SILVER	APPLICATION SPEC -	SIZE B	CAGE CODE 00779
	WEIGHT -	DRAWING NO 42041	SCALE 4:1
		SHEET 1 OF 1	