



Chipsmall Limited consists of a professional team with an average of over 10 year of expertise in the distribution of electronic components. Based in Hongkong, we have already established firm and mutual-benefit business relationships with customers from,Europe,America and south Asia,supplying obsolete and hard-to-find components to meet their specific needs.

With the principle of “Quality Parts,Customers Priority,Honest Operation,and Considerate Service”,our business mainly focus on the distribution of electronic components. Line cards we deal with include Microchip,ALPS,ROHM,Xilinx,Pulse,ON,Everlight and Freescale. Main products comprise IC,Modules,Potentiometer,IC Socket,Relay,Connector.Our parts cover such applications as commercial,industrial, and automotives areas.

We are looking forward to setting up business relationship with you and hope to provide you with the best service and solution. Let us make a better world for our industry!



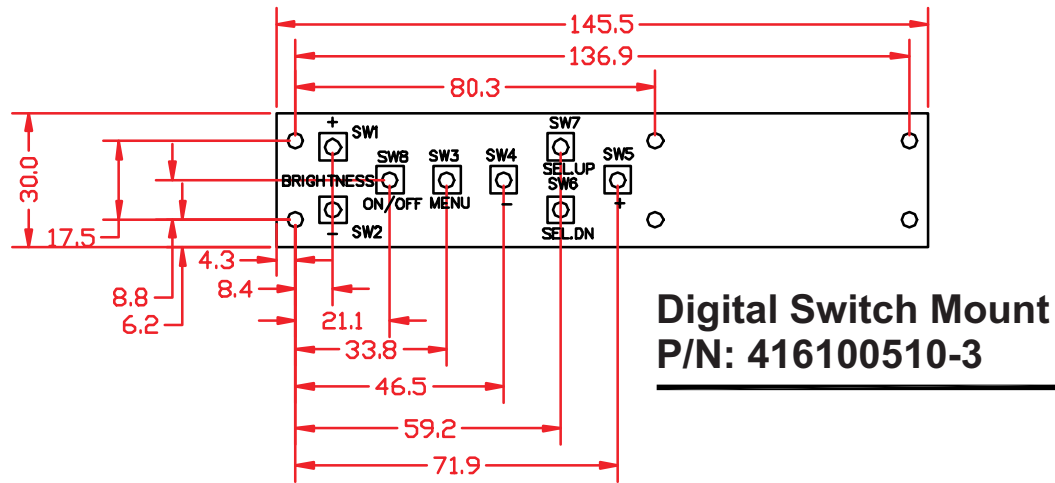
Contact us

Tel: +86-755-8981 8866 Fax: +86-755-8427 6832

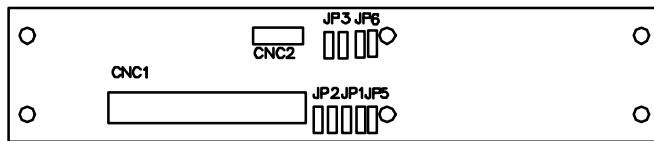
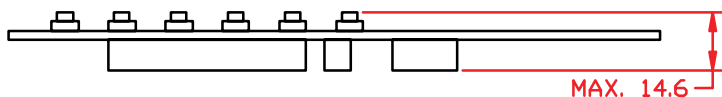
Email & Skype: info@chipsmall.com Web: www.chipsmall.com

Address: A1208, Overseas Decoration Building, #122 Zhenhua RD., Futian, Shenzhen, China

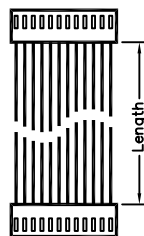




Digital Switch Mount
P/N: 416100510-3



↑ To OSD Switch Mount CNC1



↓ To LCD Interface Controller

OSD cable
P/N 420680260-3 (12 way) 150mm

NOTE:
All dimensions are in mm

CNC1 Pin Assignment Connector : JST XHD12	
pin #	description
12	no connection
11	OSD Select UP
10	OSD Select Down
9	OSD Plus/Right
8	OSD Minus/Left
7	OSD Menu
6	Ground
5	Backlight Brightness VR pin B
4	Backlight Brightness VR pin WIP
3	Backlight Brightness VR pin A
2	Power Switch B
1	Power Switch A

CNC2 Pin assignment Connector : Hirose DF13-9F	
pin #	description
9	Ground
8	Adjust Down/Decrease/Left
7	Adjust Up/Increase/Right
6	Select Down
5	Select Up
4	Ground
3	No connection
2	No connection
1	Power On/Off

Jumper setting :

JP1: SWAP DEC/INC SWITCH

1-2,3-4 closed : NORMAL

1-3,2-4 closed : SWAPPED

JP2 : SWAP SEL UP/DN SWITCH

1-2,3-4 closed : NORMAL

1-3,2-4 closed : SWAPPED

JP3 : SWAP BRIGHTNESS INC/DEC SWITCH

1-2,3-4 closed : NORMAL

1-3,2-4 closed : SWAPPED

JP5 : 1-2 closed : Disable On/Off power button control

Open : Enable On/Off power button control(Default)

JP6 : 1-2 closed : Default power on (JP5 set open)

3-4 closed: Defalt power off (JP5 set open)

Kit 60109-3 includes :

1) Digital OSD switch mount P/N 416100510-3

2) OSD cable,150mm P/N 420680260-3