



Chipsmall Limited consists of a professional team with an average of over 10 year of expertise in the distribution of electronic components. Based in Hongkong, we have already established firm and mutual-benefit business relationships with customers from,Europe,America and south Asia,supplying obsolete and hard-to-find components to meet their specific needs.

With the principle of “Quality Parts,Customers Priority,Honest Operation,and Considerate Service”,our business mainly focus on the distribution of electronic components. Line cards we deal with include Microchip,ALPS,ROHM,Xilinx,Pulse,ON,Everlight and Freescale. Main products comprise IC,Modules,Potentiometer,IC Socket,Relay,Connector.Our parts cover such applications as commercial,industrial, and automotives areas.

We are looking forward to setting up business relationship with you and hope to provide you with the best service and solution. Let us make a better world for our industry!



Contact us

Tel: +86-755-8981 8866 Fax: +86-755-8427 6832

Email & Skype: info@chipsmall.com Web: www.chipsmall.com

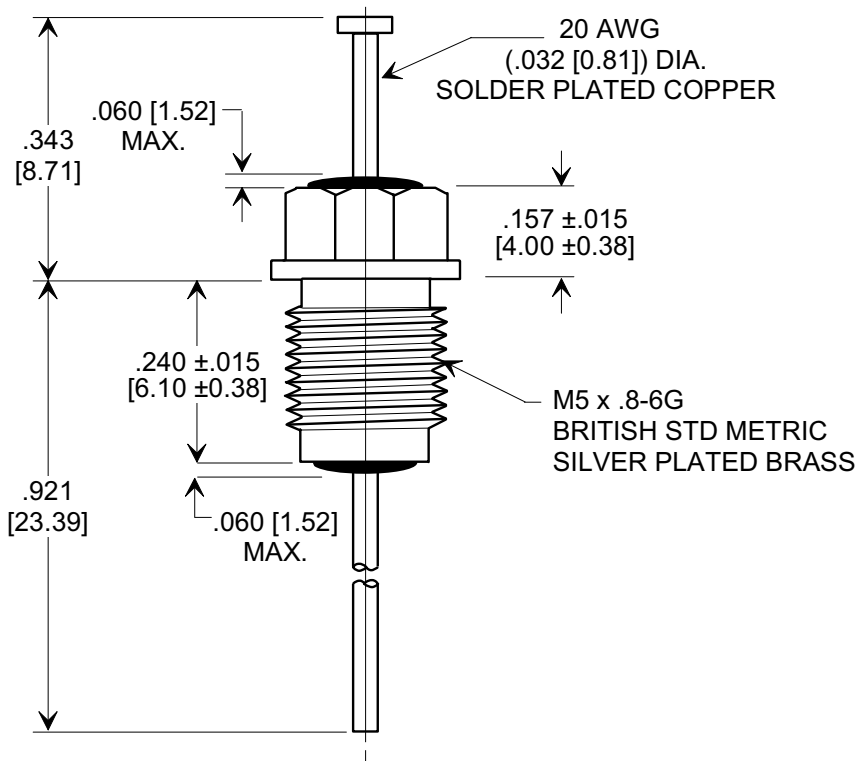
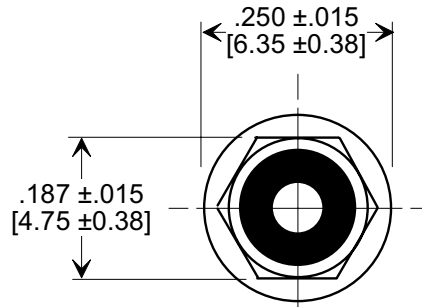
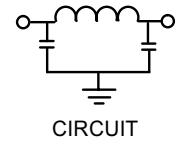
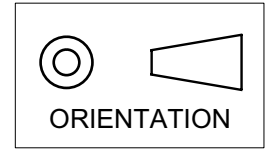
Address: A1208, Overseas Decoration Building, #122 Zhenhua RD., Futian, Shenzhen, China



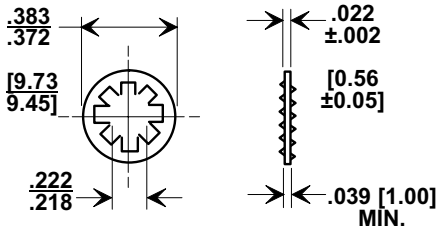
MARKETING SALES DRAWING

DIMENSIONS IN INCHES - DO NOT SCALE THIS DRAWING
 DIMENSIONS IN METRIC - []

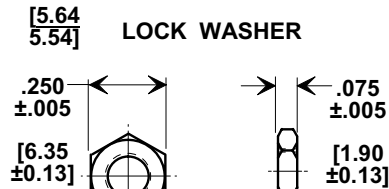
Electrical Testing
 per Tusonix standard
 test plans and Mil-Std-202
 Test Methods.



SILVER PLATED MOUNTING HARDWARE



LOCK WASHER



M5X .8 - 6H
 AFTER
 PLATING

HEX NUT

5500	350	100	10 A	I.R. MIN. @ 100 (VDC.)	DWV	20	65	70	70
	85°C	125°C				10 MHz	100 MHz	1 GHz	10 GHz
MIN. CAP. (pF)	WORKING VOLTAGE (WVdc)		CURRENT IDC	10 G Ω	700 vdc	MINIMUM NO LOAD INSERTION LOSS (dB) AT 25°C PER MIL-STD -220			

X-2015 Rev-0

REVISION RECORD	Original Release	0
	C.O.	4668
	WVDC 85° C WAS 200. E.C. 03-18-97	
	970318-2	1
	RDN TO COMP FMT & ADDED L WASHER, HET NUT & NOTE 1. S.M. 10-20-98	
19981019-5-01	2	
ADDED METRIC, CIRCUIT & ORIENTATION. S.M. 12-18-01		
20011210-2-04	3	
CAP WAS 5000. FIXED METRIC 2 PLCS. S.M. 07-14-03		
20030711-1-01	4	
SOLDER PLATED, SOLDER PLATED COPPER, SILVER PLATED BRASS & IR MIN. @ 100 VDC & DWV COLUMNS ADDED & NOTE DELETED L.E. 01-30-04		
20040130-1-01	5	

TUSONIX TUCSON, ARIZONA	Title BUSHING STYLE EMI FILTER	
	Drawn S.M. 10-20-98	
-- TOLERANCES -- Unless Otherwise Specified	Approved S.C. 10-20-98	
2 Place Decimal ±	A 4209-053	
3 Place Decimal ± .031 [0.79]		
Angles ±		