



Chipsmall Limited consists of a professional team with an average of over 10 year of expertise in the distribution of electronic components. Based in Hongkong, we have already established firm and mutual-benefit business relationships with customers from,Europe,America and south Asia,supplying obsolete and hard-to-find components to meet their specific needs.

With the principle of "Quality Parts,Customers Priority,Honest Operation,and Considerate Service",our business mainly focus on the distribution of electronic components. Line cards we deal with include Microchip,ALPS,ROHM,Xilinx,Pulse,ON,Everlight and Freescale. Main products comprise IC,Modules,Potentiometer,IC Socket,Relay,Connector.Our parts cover such applications as commercial,industrial, and automotives areas.

We are looking forward to setting up business relationship with you and hope to provide you with the best service and solution. Let us make a better world for our industry!



Contact us

Tel: +86-755-8981 8866 Fax: +86-755-8427 6832

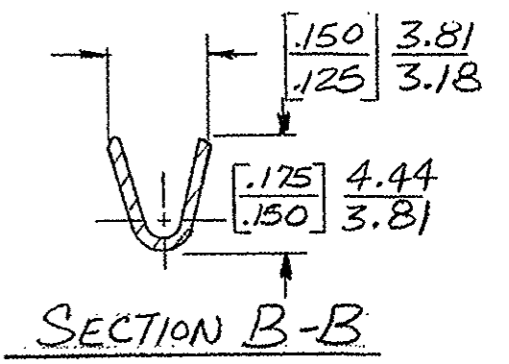
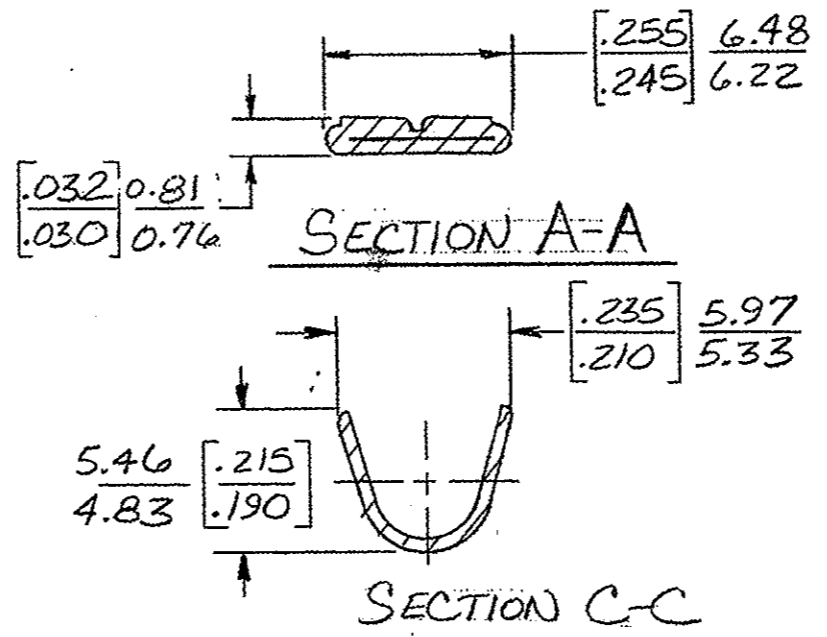
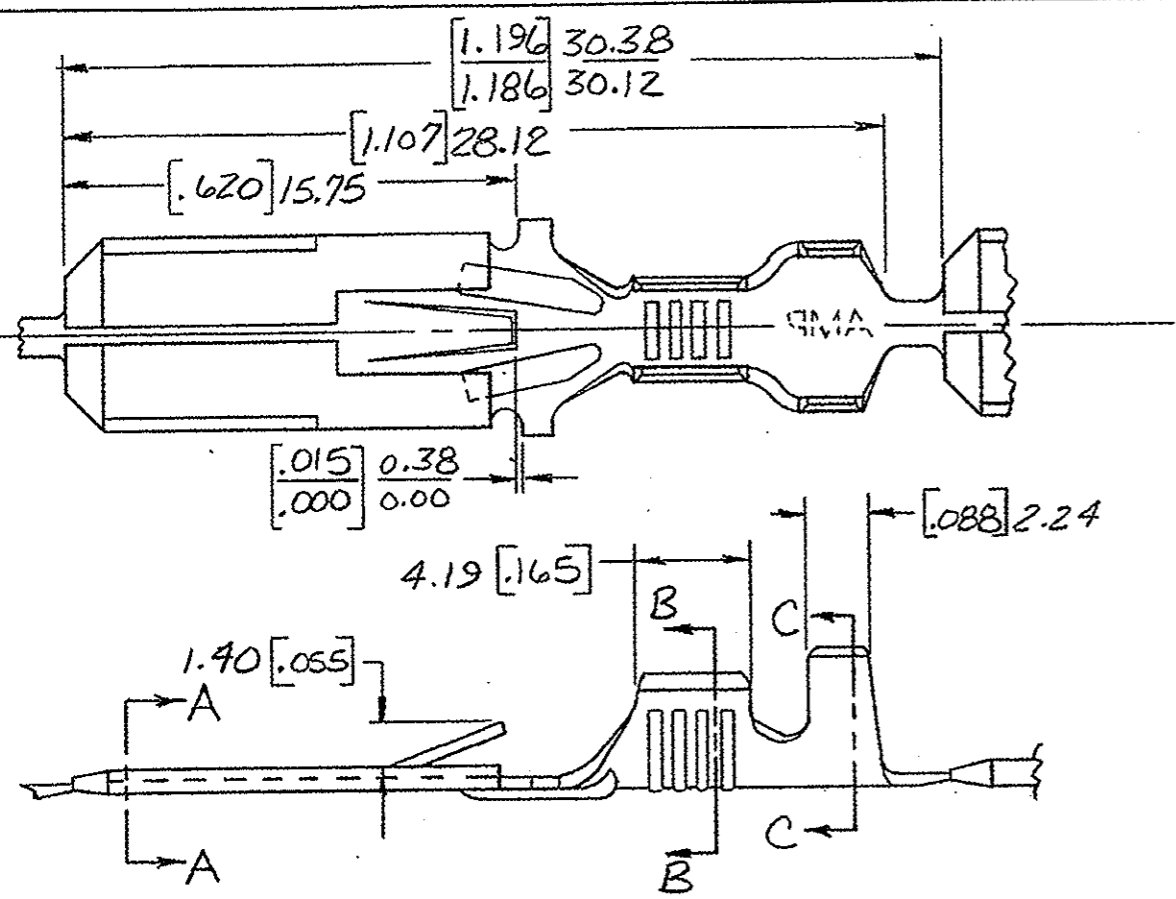
Email & Skype: info@chipsmall.com Web: www.chipsmall.com

Address: A1208, Overseas Decoration Building, #122 Zhenhua RD., Futian, Shenzhen, China



THIS DRAWING IS UNPUBLISHED. RELEASED FOR PUBLICATION
 © COPYRIGHT ALL RIGHTS RESERVED.

REVISIONS					DATE	APPROVED
P	F	ZONE	LTR	DESCRIPTION		
		DG2		REVISED PER ECO-11-005140	01APR11	HMR



FINISH	MATERIAL	INSULATION RANGE	WIRE SIZE	PART NO
OBsolete 3 4 TIN	[.0150] 0.38 BRASS	[.120-.160] 3.05-4.06	18-14 0.8-2mm ²	42098-8
5 3 5 OBsolete TIN	[.0150] 0.38 PHOS. BRZ.	[.120-.160] 3.05-4.06	18-14 0.8-2mm ²	42098-7
5 3 5 OBsolete PRE-TIN	[.0150] 0.38 BRASS	[.120-.160] 3.05-4.06	18-14 0.8-2mm ²	42098-6
3 5 3 OBsolete NONE	[.0150] 0.38 PHOS. BRZ.	[.120-.160] 3.05-4.06	18-14 0.8-2mm ²	42098-5
3 5 3 OBsolete NICKEL	[.015] 0.38 PHOS. BRZ.	[.120-.160] 3.05-4.06	18-14 0.8-2mm ²	42098-4
3 5 3 SILVER	[.0150] 0.38 BRASS	[.120-.160] 3.05-4.06	18-14 0.8-2mm ²	42098-3
3 5 3 PRE-TIN	[.0150] 0.38 BRASS	[.120-.160] 3.05-4.06	18-14 0.8-2mm ²	42098-2
3 5 3 NONE	[.0150] 0.38 BRASS	[.120-.160] 3.05-4.06	18-14 0.8-2mm ²	42098-1

- 1 - DIM'S. IN BRACKETS ARE IN INCHES.
- 2 - CONTINUOUS STRIP ON REELS.
- ~~3~~ - FOREIGN PRODUCTION ONLY
- ~~4~~ - PAPER INTERLAY BETWEEN LAYERS
- ~~5~~ - OBSOLETE PARTS: OBSOLETE CIS STREAMLINING PER D.RENAUD/D.SINISI

METRIC

UNLESS OTHERWISE SPECIFIED DIMENSIONS ARE IN INCHES. TOLERANCES ON: DECIMALS [±.015] 0.38 ANGLES	CONTRACT NO	TE Connectivity 250 SERIES FASTIN-FASTON TAB
	DR <i>NR Rector</i> 2-25-83	
MATERIAL <i>H</i>	CHK <i>G. Yetter</i> 3-1-83	NAME
	APPR <i>J. Liberman</i> 4/22/83	SIZE B
FINISH <i>H</i>	APPR <i>V. K. Anderson</i> 4/20/83	FSCM NO 00779
	DSGN APPD	DRAWING NO 42098
OTHER APPD	SCALE <i>H</i>	SHEET

CUSTOMER DRAWING