



Chipsmall Limited consists of a professional team with an average of over 10 year of expertise in the distribution of electronic components. Based in Hongkong, we have already established firm and mutual-benefit business relationships with customers from,Europe,America and south Asia,supplying obsolete and hard-to-find components to meet their specific needs.

With the principle of “Quality Parts,Customers Priority,Honest Operation,and Considerate Service”,our business mainly focus on the distribution of electronic components. Line cards we deal with include Microchip,ALPS,ROHM,Xilinx,Pulse,ON,Everlight and Freescale. Main products comprise IC,Modules,Potentiometer,IC Socket,Relay,Connector.Our parts cover such applications as commercial,industrial, and automotives areas.

We are looking forward to setting up business relationship with you and hope to provide you with the best service and solution. Let us make a better world for our industry!



Contact us

Tel: +86-755-8981 8866 Fax: +86-755-8427 6832

Email & Skype: info@chipsmall.com Web: www.chipsmall.com

Address: A1208, Overseas Decoration Building, #122 Zhenhua RD., Futian, Shenzhen, China





AC-AC UL/cUL ADAPTOR AC 12V 750mA



REV. Status

REVISION - 10/25/01 RJ
REVISION A CHANGED INPUT TO 11W 02/28/02 RJ
REVISION B REVISED PLUG LOCATION. ADDED RoHS 05/23/06 MP
REVISION C DELETED PLUG POLARITY 08/01/06 MP

A. Electrical specifications

1. Input voltage: AC 120V \pm 10% 60Hz \pm 0.5Hz
2. Output voltage and current: AC 12V at 750mA

V_{in}	100% Load	No Load
108	9.5VAC MIN	-
120	11.5-12.5VAC	15.0VAC MAX
132	-	16.0VAC MAX

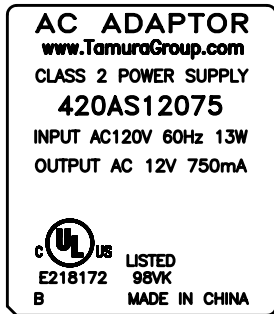
NOTE: Specification applies after 10 minutes warm-up with full load and at any operating temperature.

3. Operating temperature: -10°C to $+40^{\circ}\text{C}$
4. Storage temperature: -20°C to $+85^{\circ}\text{C}$
5. Operating and Storage Humidity: 0 to 95% without condensation
6. Withstand voltage: AC 1000Vrms 1 minute @ input to output

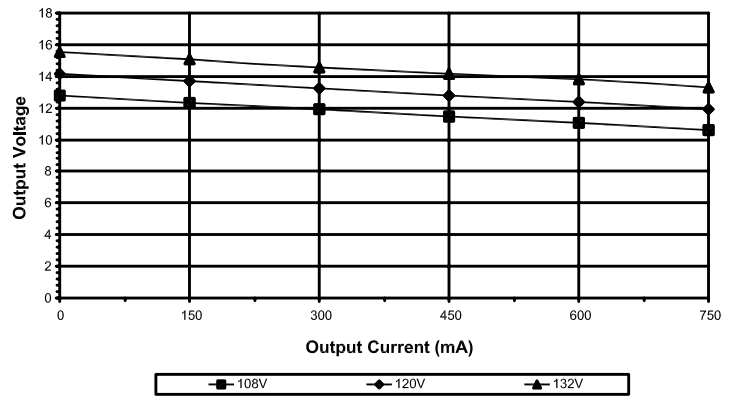
B. Typical performance data test Condition:
Ta= $+25^{\circ}\text{C}$ measured after 10 minute warm-up with input at 120V 60Hz

C. Safety agencies
UL and cUL File No. E218172

D. Nameplate: Information is as follows:
Metallic letters on a black background

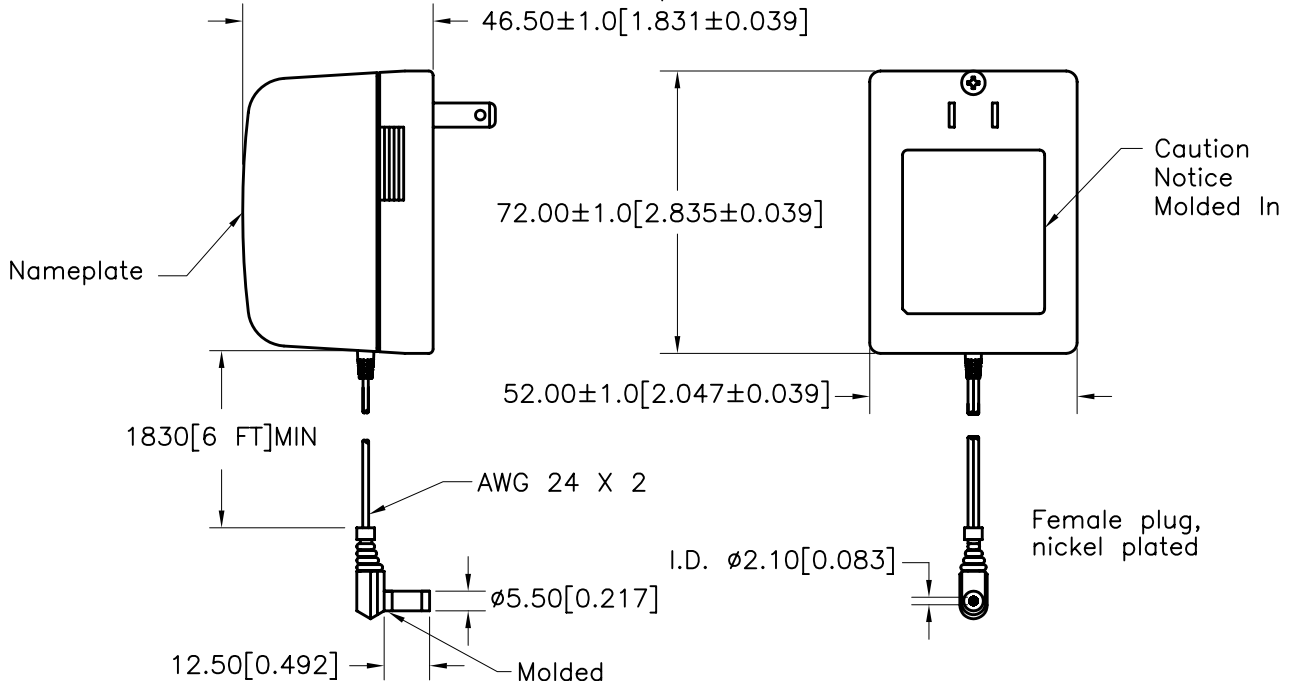


TYPICAL PERFORMANCE CHART



E. Mechanical Specifications

All dimensions shown are nominal unless otherwise specified



PREPARED BY:

K. BRENNAN

ENGINEER:

M. PITCHAI

QUALITY CONTROL:

T. CLEM

APPROVED:

Y. SEKIGUCHI

DWG CONTROL NO. P-A7-12950
ACAD\PS\A7129501.DWG

REV C

UL/cUL AC 12V 750mA
POWER SUPPLY

TAMURA CORPORATION OF AMERICA
43352 BUSINESS PARK DRIVE, TEMECULA, CA. 92590-6624
(951) 699-1270 FAX 9516769482

420AS12075

MODEL SPECIFICATION

DIM: mm(In) SCL: NONE SH: 1 OF 1

PROPRIETARY NOTICE: THIS DRAWING PRINT OR DOCUMENT AND SUBJECT MATTER DISCLOSED HEREIN ARE PROPRIETARY ITEMS TO WHICH TAMURA RETAINS THE EXCLUSIVE RIGHT OF DISSEMINATION, REPRODUCTION, MANUFACTURE AND SALE. THIS DRAWING, PRINT OR DOCUMENT IS SUBMITTED IN CONFIDENCE FOR CONSIDERATION BY THE RECIPIENT ALONE UNLESS PERMISSION FOR FURTHER DISCLOSURE IS EXPRESSLY GRANTED IN WRITING.