



Chipsmall Limited consists of a professional team with an average of over 10 year of expertise in the distribution of electronic components. Based in Hongkong, we have already established firm and mutual-benefit business relationships with customers from,Europe,America and south Asia,supplying obsolete and hard-to-find components to meet their specific needs.

With the principle of “Quality Parts,Customers Priority,Honest Operation,and Considerate Service”,our business mainly focus on the distribution of electronic components. Line cards we deal with include Microchip,ALPS,ROHM,Xilinx,Pulse,ON,Everlight and Freescale. Main products comprise IC,Modules,Potentiometer,IC Socket,Relay,Connector.Our parts cover such applications as commercial,industrial, and automotives areas.

We are looking forward to setting up business relationship with you and hope to provide you with the best service and solution. Let us make a better world for our industry!



Contact us

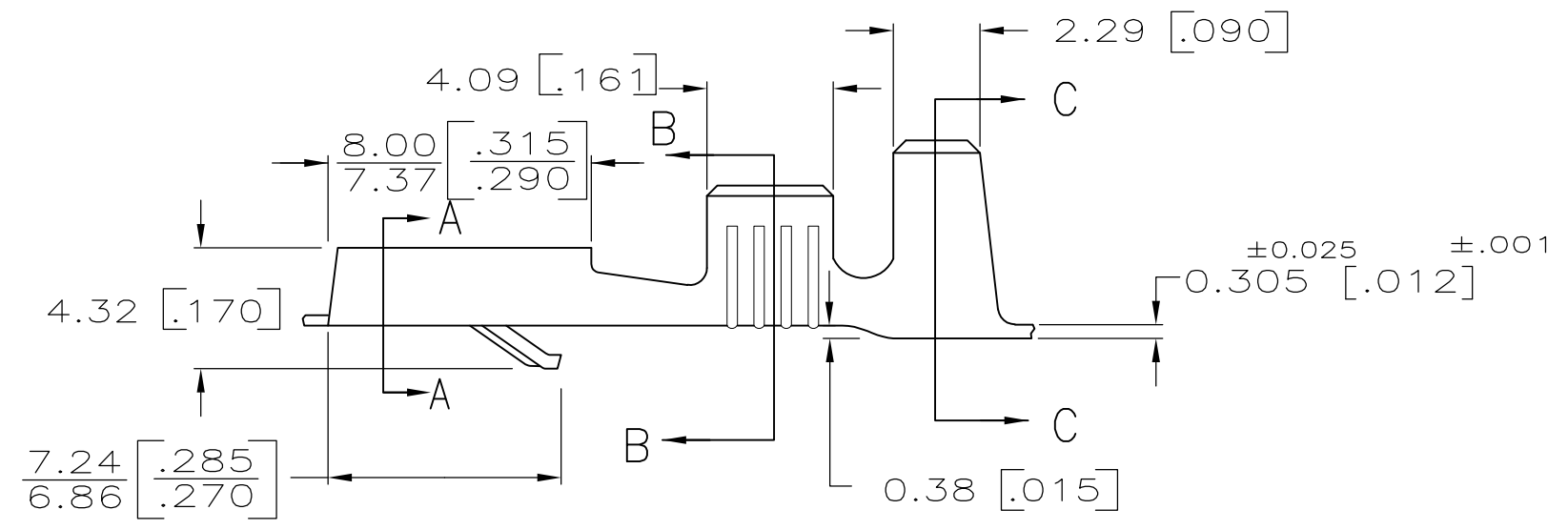
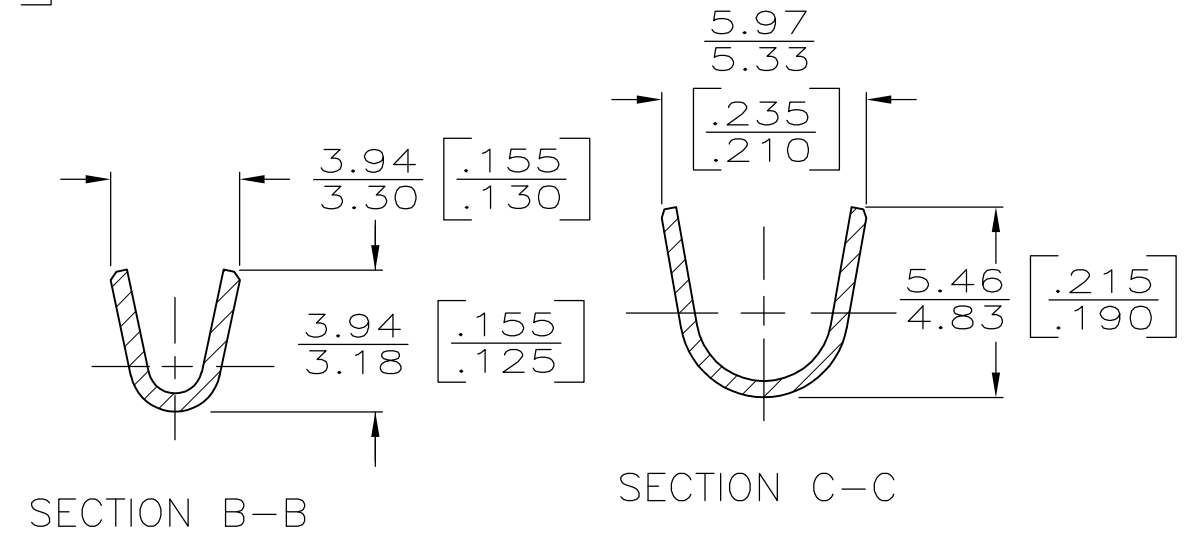
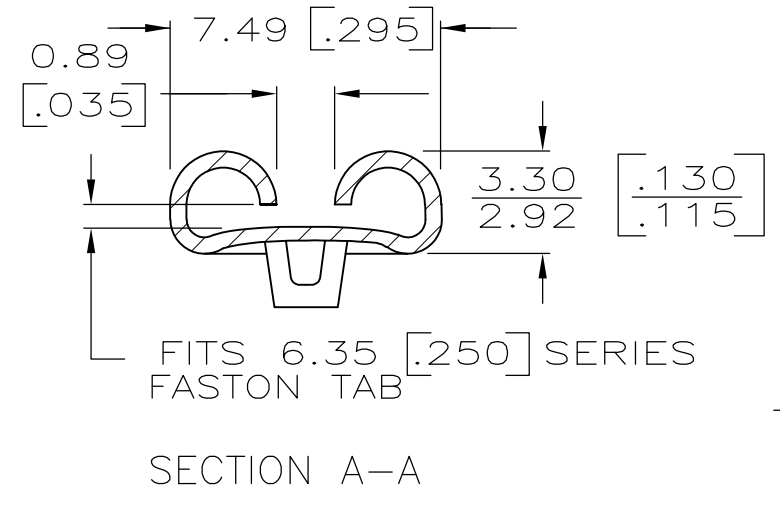
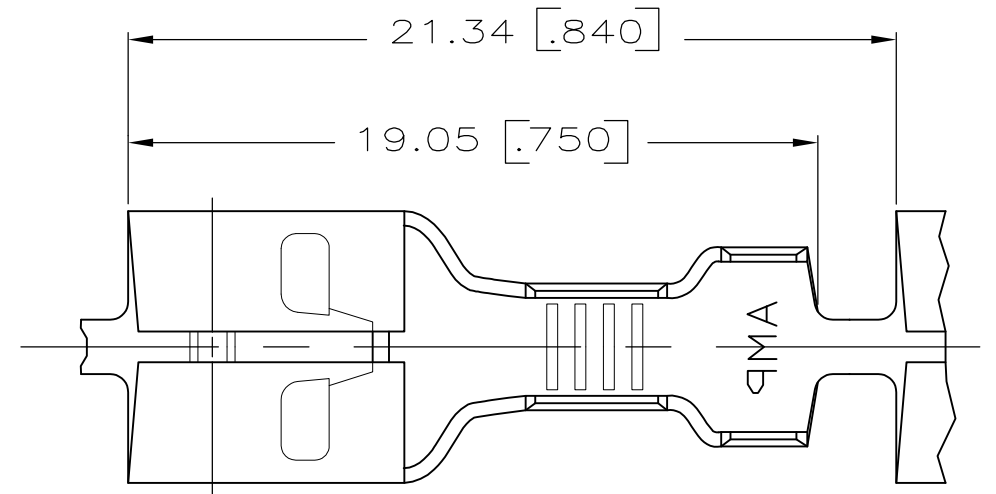
Tel: +86-755-8981 8866 Fax: +86-755-8427 6832

Email & Skype: info@chipsmall.com Web: www.chipsmall.com

Address: A1208, Overseas Decoration Building, #122 Zhenhua RD., Futian, Shenzhen, China



LOC	DIST	REVISIONS					
AF	50	P	LTR	DESCRIPTION	DATE	OWN	APVD
		AN2		REVISED PER ECO-11-004587	11MAR11	RK	HMR



- 1 DIMENSIONS IN BRACKETS ARE IN INCHES.
- 2 CONTINUOUS STRIP ON REELS.
- 3 FOR FOREIGN PRODUCTION ONLY.
- 4 NO RIB IN LOCKING LANCE.
- 5 NO STRESS RELIEVING
- 6 REELED WITH INTERLEAVING PAPER
- 8 OBSOLETE PARTS: OBSOLETE CIS STREAMLINING PER D.RENAUD/D.SINISI

△/4	---	TIN	#4H BRASS	2.54 - 4.32	0.8 - 2.0 mm ²	±0.025	42100-9
△/3	---	TIN	#4H BRASS				
△/3	---	---	#4H BRASS	[.100 - .170]	[18 - 14]	0.81 [.032 ±.001]	2-42100-1
△/8	OBSOLETE	TIN	#4H BRASS				1-42100-2
△/8	OBSOLETE	1-42238-1	#4H BRASS	[.100 - .170]	[18 - 14]	0.81 [.032 ±.001]	1-42100-4
△/4	---	SILVER	#4H BRASS				42100-3
△/4	---	TIN	#4H BRASS	[.100 - .170]	[18 - 14]	0.81 [.032 ±.001]	42100-2
△/4	---	---	#4H BRASS				42100-1
	LOOSE PIECE	FINISH	MATERIAL	INSULATION RANGE	WIRE SIZE	TAB THK	PART NO

METRIC

THIS DRAWING IS A CONTROLLED DOCUMENT.

DWN	JR RUTH	2/5/88
CHK	MS FEHER	2/5/88
APVD	C MEYERS	2/8/88

STE TE Connectivity

NAME: RECEPTACLE, FASTON-FASTON, .250 SERIES

SIZE	A2	CAGE CODE	00779	DRAWING NO	C-42100	RESTRICTED TO	-
SCALE	5:1	SHEET	1 of 1	REV	AN2		

CUSTOMER DRAWING