



Chipsmall Limited consists of a professional team with an average of over 10 year of expertise in the distribution of electronic components. Based in Hongkong, we have already established firm and mutual-benefit business relationships with customers from,Europe,America and south Asia,supplying obsolete and hard-to-find components to meet their specific needs.

With the principle of “Quality Parts,Customers Priority,Honest Operation,and Considerate Service”,our business mainly focus on the distribution of electronic components. Line cards we deal with include Microchip,ALPS,ROHM,Xilinx,Pulse,ON,Everlight and Freescale. Main products comprise IC,Modules,Potentiometer,IC Socket,Relay,Connector.Our parts cover such applications as commercial,industrial, and automotives areas.

We are looking forward to setting up business relationship with you and hope to provide you with the best service and solution. Let us make a better world for our industry!



Contact us

Tel: +86-755-8981 8866 Fax: +86-755-8427 6832

Email & Skype: info@chipsmall.com Web: www.chipsmall.com

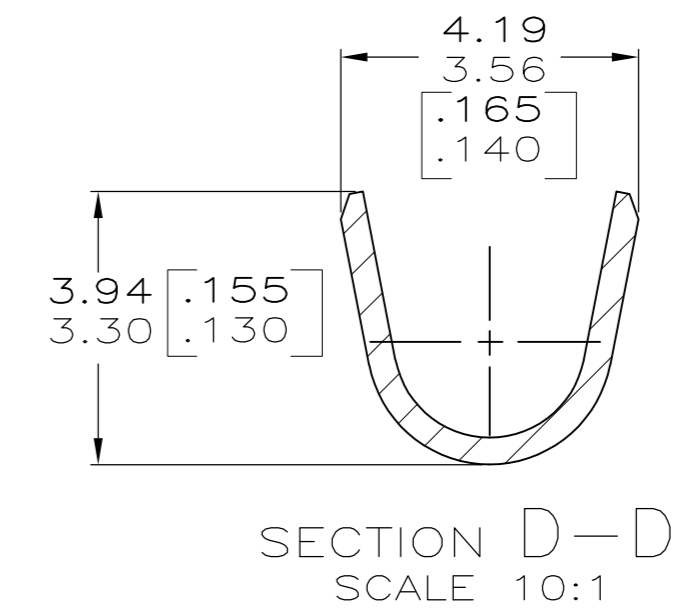
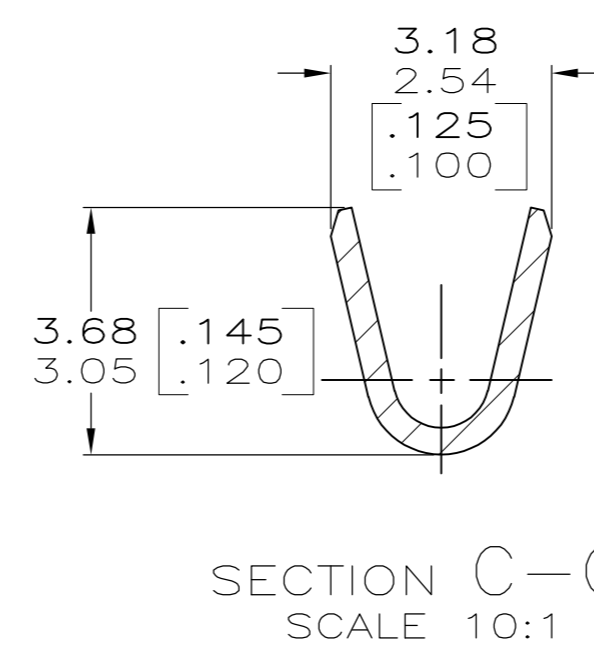
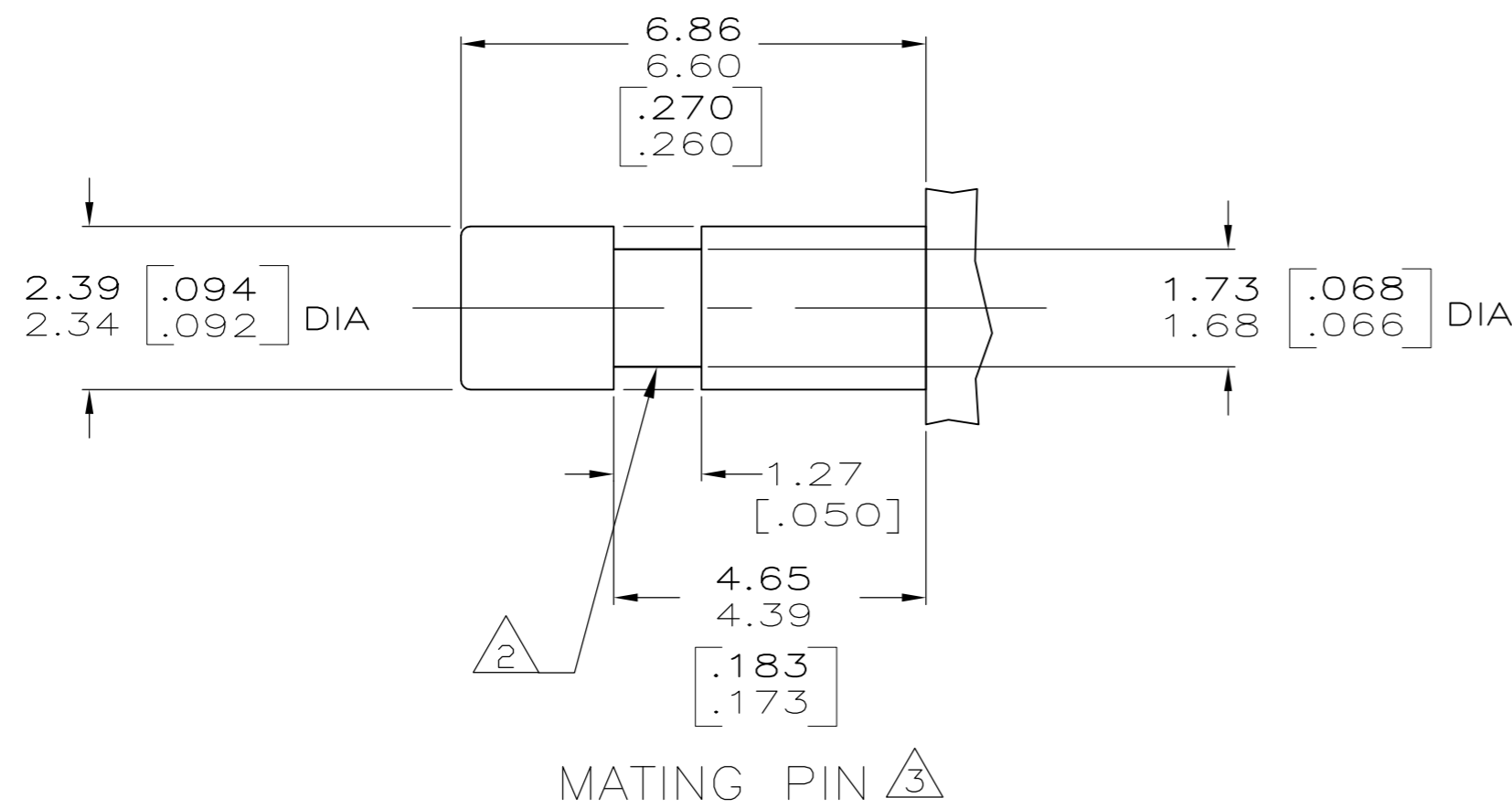
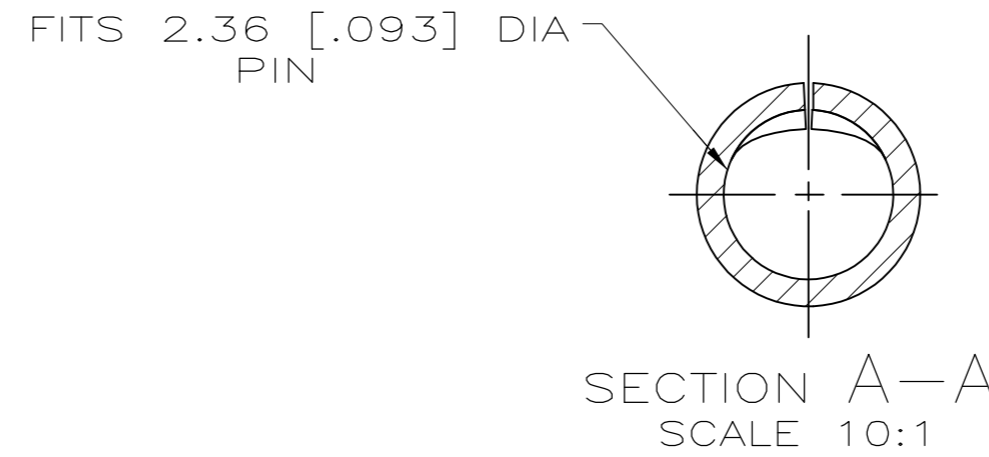
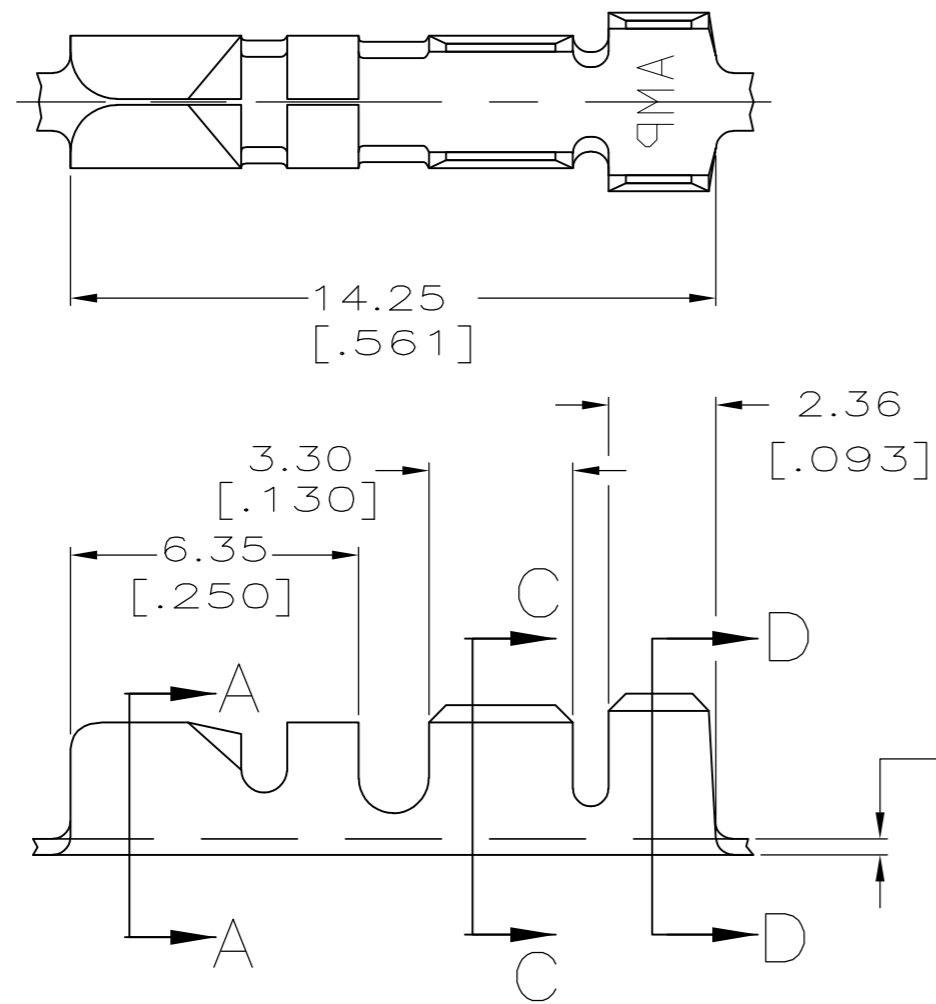
Address: A1208, Overseas Decoration Building, #122 Zhenhua RD., Futian, Shenzhen, China



THIS DRAWING IS UNPUBLISHED. RELEASED FOR PUBLICATION
 © COPYRIGHT BY TYCO ELECTRONICS CORPORATION. ALL RIGHTS RESERVED.

LOC		DIST		REVISIONS			
P	LTR	DESCRIPTION	DATE	DWN	APVD		
	J	REVISED PER ECR-07-017666	30JUL07	MF	DD		

- 1 CONTINUOUS STRIP ON REELS.
- 2 INDENT IS OPTIONAL ON PIN.
- 3 MATING PIN IS TIN PLATED.
- 4 METHOD OF FASTENING PIN TO BE DETERMINED BY CUSTOMER.
- 5 WIRE RANGE: 0.8-1.3mm² [#18-#16] AWG.
- 6 INSULATION RANGE: 2.29-3.05mm [.090-.120] DIA.
- 7 PRELIMINARY - NOT FOR PRODUCTION.



	0.00381 [.000150] MIN NICKEL PLATE	H04 BRASS	7 42101-4
OBSOLETE	0.002032 [.000080] MIN TIN PLATE	H04 PHOSPHOR BRONZE	42101-3
	0.002032 [.000080] MIN TIN PLATE	H04 BRASS	42101-2
OBSOLETE	-	H04 BRASS	42101-1

FINISH		MATERIAL		PART NUMBER	
THIS DRAWING IS A CONTROLLED DOCUMENT.		M.S. FEHER 30JUL2006		7 42101-4	
DWN		D.F. DECKER 30JUL2007		Tyco Electronics Corporation Harrisburg, PA 17105-3608	
CHK		D.F. DECKER 30JUL2007		NAME	
APVD		D.F. DECKER 30JUL2007		PIN RECEPTACLE, 2.36 [.093] DIA	
PRODUCT SPEC		APPLICATION SPEC		SIZE	
MATERIAL		FINISH		CAGE CODE	
SEE TABLE		SEE TABLE		DRAWING NO	
				RESTRICTED TO	
		WEIGHT		A2 00779 C=42101	
		CUSTOMER DRAWING		SCALE 5:1 SHEET 1 of 1 REV J	