



Chipsmall Limited consists of a professional team with an average of over 10 year of expertise in the distribution of electronic components. Based in Hongkong, we have already established firm and mutual-benefit business relationships with customers from,Europe,America and south Asia,supplying obsolete and hard-to-find components to meet their specific needs.

With the principle of “Quality Parts,Customers Priority,Honest Operation,and Considerate Service”,our business mainly focus on the distribution of electronic components. Line cards we deal with include Microchip,ALPS,ROHM,Xilinx,Pulse,ON,Everlight and Freescale. Main products comprise IC,Modules,Potentiometer,IC Socket,Relay,Connector.Our parts cover such applications as commercial,industrial, and automotives areas.

We are looking forward to setting up business relationship with you and hope to provide you with the best service and solution. Let us make a better world for our industry!



Contact us

Tel: +86-755-8981 8866 Fax: +86-755-8427 6832

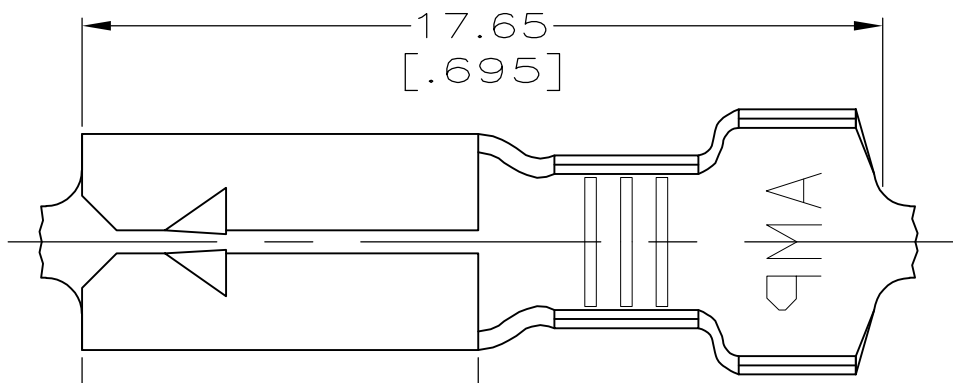
Email & Skype: info@chipsmall.com Web: www.chipsmall.com

Address: A1208, Overseas Decoration Building, #122 Zhenhua RD., Futian, Shenzhen, China

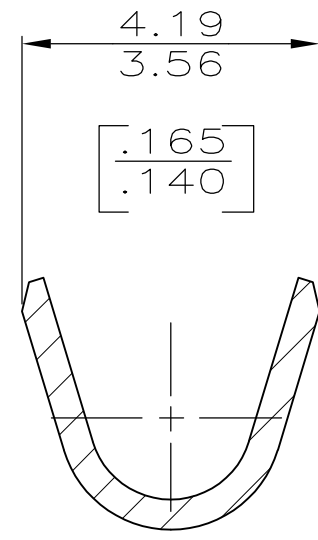
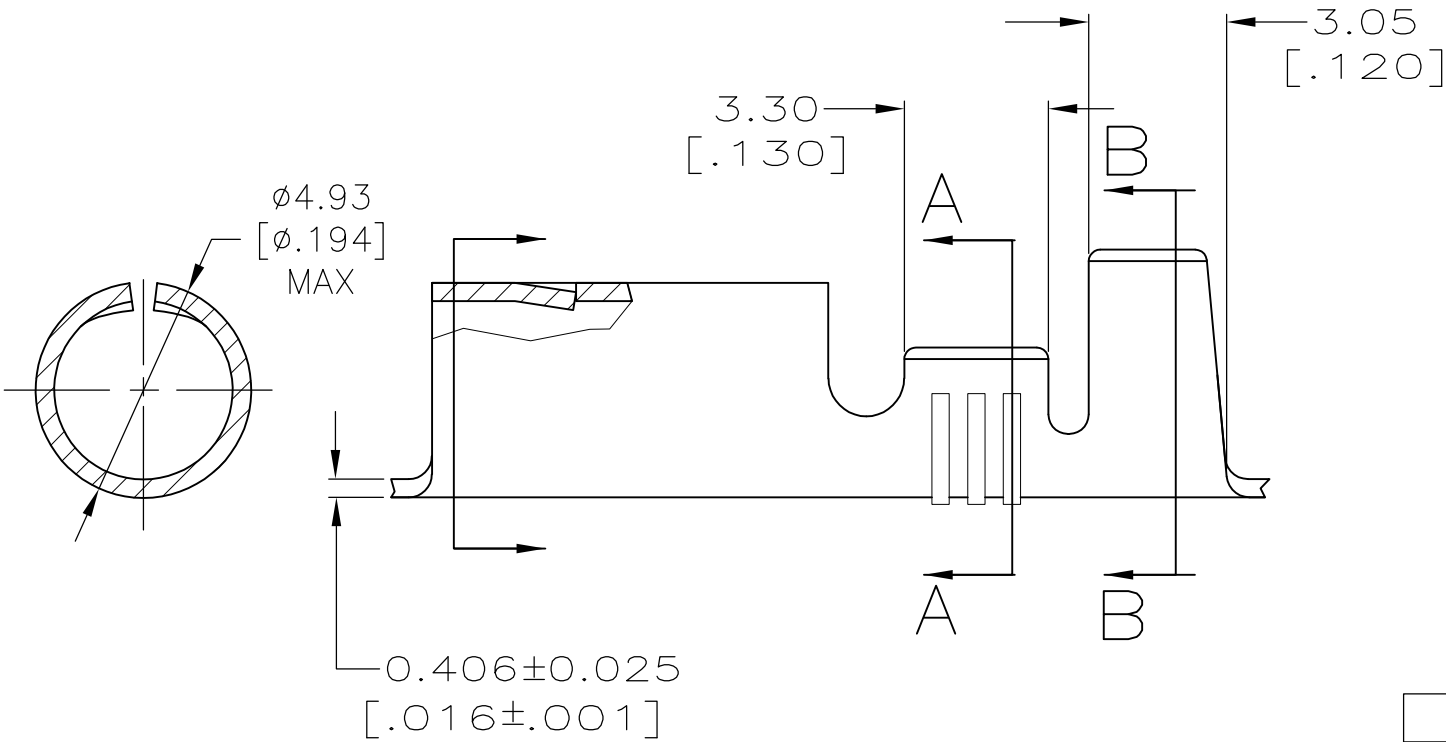


THIS DRAWING IS UNPUBLISHED. RELEASED FOR PUBLICATION
 © COPYRIGHT - By - ALL RIGHTS RESERVED.

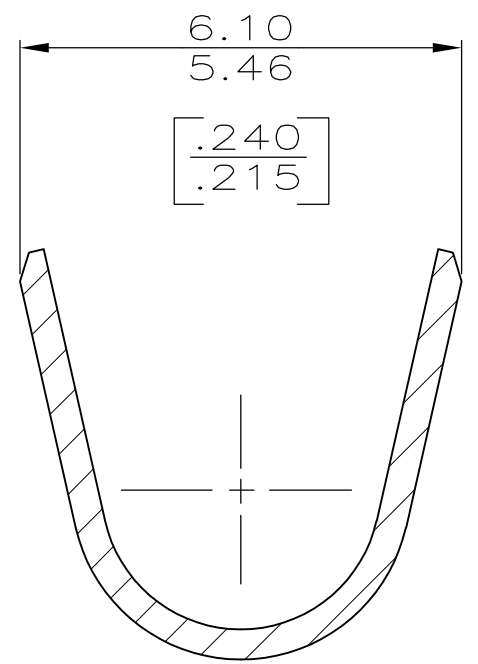
LOC	DIST	REVISIONS			
P	LTR	DESCRIPTION	DATE	DWN	APVD
AF	50				
	K2	REVISED PER ECO-11-004820	11MAR11	RK	HMR



- 1 CONTINUOUS STRIP ON REEL.
- 2 0.002032 [.000080] MIN TIN PL PER ASTM-B545.
- 3 0.00508 [.000200] MIN SILVER PL OVER 0.00254 [.000100] MIN COPPER UNDEPLATE OR 0.00127 [.000050] MIN NICKEL UNDEPLATE.



SECTION A-A
SCALE 10:1



SECTION B-B
SCALE 10:1

3	3.30-4.44 DIA	[18-14] AWG	42142-4
-	[.130-.175]		42142-2
2			42142-1
FINISH	INSULATION RANGE	WIRE RANGE	PART NO

THIS DRAWING IS A CONTROLLED DOCUMENT.		DWN PHILLIP M FORTNEY 29/AUG/95	STE TE Connectivity	
		CHK JEFF R RUTH 29/AUG/95		
DIMENSIONS: mm [INCHES]	TOLERANCES UNLESS OTHERWISE SPECIFIED:	APVD GARY YETTER 29/AUG/95	NAME RECEPTACLE, SHUR PLUG, 3.96 [.156] DIA	
	0 PLC ± - 1 PLC ± - 2 PLC ± 0.25 [.010] 3 PLC ± - 4 PLC ± - ANGLES ± -	PRODUCT SPEC -	SIZE A3	
MATERIAL 4M BRASS	FINISH SEE TABLE	APPLICATION SPEC -	CAGE CODE 00779	DRAWING NO C-42142
		WEIGHT -	RESTRICTED TO -	
CUSTOMER DRAWING			SCALE 6:1	SHEET 1 OF 1
			REV K2	