



Chipsmall Limited consists of a professional team with an average of over 10 year of expertise in the distribution of electronic components. Based in Hongkong, we have already established firm and mutual-benefit business relationships with customers from,Europe,America and south Asia,supplying obsolete and hard-to-find components to meet their specific needs.

With the principle of “Quality Parts,Customers Priority,Honest Operation,and Considerate Service”,our business mainly focus on the distribution of electronic components. Line cards we deal with include Microchip,ALPS,ROHM,Xilinx,Pulse,ON,Everlight and Freescale. Main products comprise IC,Modules,Potentiometer,IC Socket,Relay,Connector.Our parts cover such applications as commercial,industrial, and automotives areas.

We are looking forward to setting up business relationship with you and hope to provide you with the best service and solution. Let us make a better world for our industry!



Contact us

Tel: +86-755-8981 8866 Fax: +86-755-8427 6832

Email & Skype: info@chipsmall.com Web: www.chipsmall.com

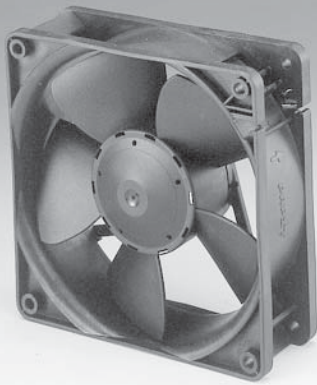
Address: A1208, Overseas Decoration Building, #122 Zhenhua RD., Futian, Shenzhen, China



4200N Series

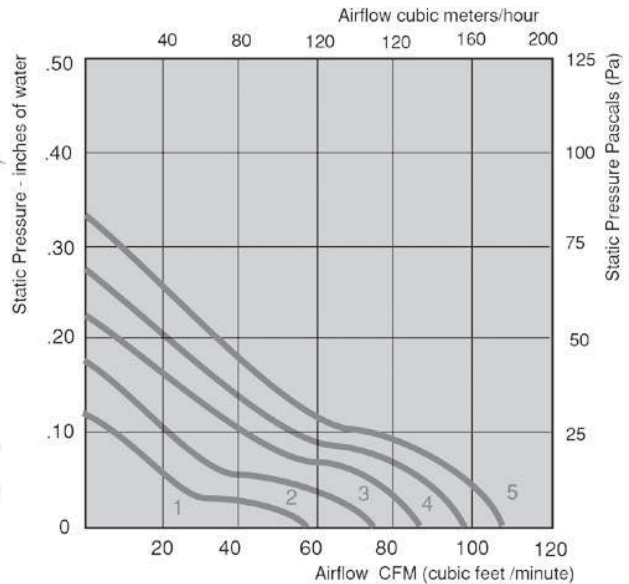
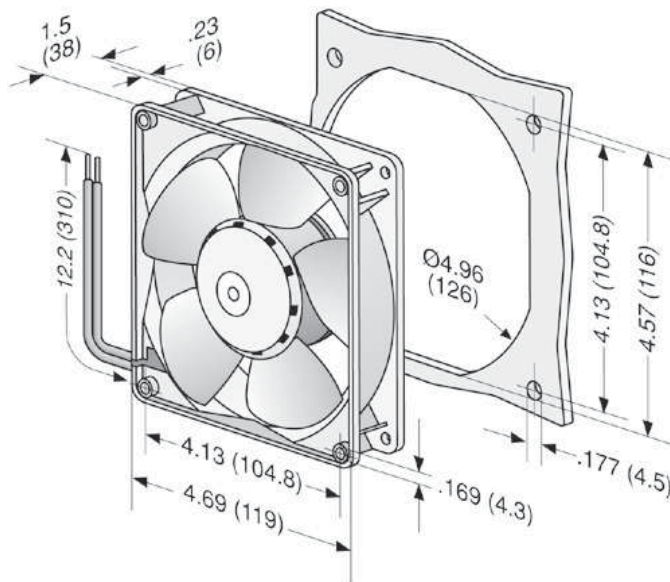
Tubeaxial

119x119x38mm



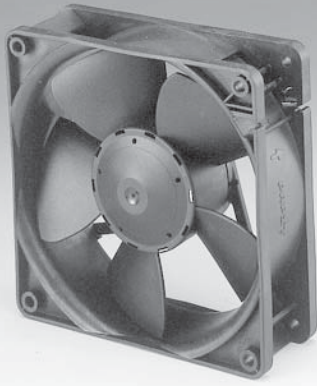
- DC fans with electronically commutated external rotor motor. Fully integrated commutation electronics.
- With electronic protection against reverse polarity, blocking and overloading; partially impedance protected.
- Mounting from either face using four 4.3 mm holes.
- Fan of fiberglass reinforced plastic. PBTP housing, PA impeller.
- Air exhaust over struts. Rotational direction CCW looking at rotor.
- Electrical connection via 2 leads AWG 22, TR 64. Stripped and tinned ends.
- UL, CSA, VDE approvals on some models, please contact application engineering.

Part Number	Curve	CFM @ 0	VDC	Volt. Range	Power (W)	dBA	Max Amb. Temp C	Bearing Type	Features	Wgt. (lbs)
4212NGL	1	59	12	7 to 14.5	1.4	28	70	Sintec	Leads	0.63
4212NL	1	59	12	7 to 14.5	1.1	28	70	Ball	Leads	0.63
4212NGML	2	75	12	7 to 14.5	2.2	35	70	Sintec	Leads	0.63
4212NML	2	75	12	7 to 14.5	1.9	35	70	Ball	Leads	0.63
4212NGM	2	85	12	7 to 14.5	3.0	38	70	Sintec	Leads	0.63
4212NM	3	85	12	7 to 14.5	2.8	38	70	Ball	Leads	0.63
4212NGN	2	97	12	7 to 14.5	4.0	42	70	Sintec	Terminals	0.63
4212NN	4	97	12	7 to 14.5	4.0	42	70	Ball	Leads	0.63
4212NGH	3	106	12	7 to 14.5	5.0	45	70	Sintec	Leads	0.63
4212NH	5	106	12	7 to 14.5	4.8	45	70	Ball	Leads	0.63
4212NHH	6	121	12	7 to 14.5	7.5	49	70	Ball	Leads	0.63
<hr/>										
4214NGL	1	59	24	12 to 28	1.4	28	70	Sintec	Leads	0.63
4214NL	1	59	24	12 to 28	1.2	28	70	Ball	Leads	0.63
4214NGML	2	75	24	12 to 28	2.2	35	70	Sintec	Leads	0.63
4214NML	2	75	24	12 to 28	1.9	35	70	Ball	Leads	0.63



4200N Series cont. Tubeaxial

119x119x38mm



- DC fans with electronically commutated external rotor motor. Fully integrated commutation electronics.
- With electronic protection against reverse polarity, blocking and overloading; partially impedance protected.
- Mounting from either face using four 4.3 mm holes.
- Fan of fiberglass reinforced plastic. PBTP housing, PA impeller.
- Air exhaust over struts. Rotational direction CCW looking at rotor.
- Electrical connection via 2 leads AWG 22, TR 64. Stripped and tinned ends.
- UL, CSA, VDE approvals on some models, please contact application engineering.

Part Number	Curve	CFM @ 0	VDC	Volt. Range	Power (W)	dBA	Max Amb. Temp C	Bearing Type	Features	Wgt. (lbs)
4214NGM	2	85	24	12 to 28	3.0	38	70	Sintec	Leads	0.63
4214NM	3	85	24	12 to 28	2.6	38	70	Ball	Leads	0.63
4214NGN	2	97	24	12 to 28	4.0	42	70	Sintec	Terminals	0.63
4214NN	4	97	24	12 to 28	3.6	42	70	Ball	Leads	0.63
4214NGH	3	106	24	12 to 28	5.0	45	70	Sintec	Leads	0.63
4214NH	5	106	24	12 to 28	4.8	45	70	Ball	Leads	0.63
4214NHH	6	121	24	12 to 28	7.5	49	70	Ball	Leads	0.63
4218NN	4	97	48	36 to 56	3.6	42	70	Ball	Leads	0.63
4218NGH	3	106	48	36 to 56	5.0	45	70	Sintec	Leads	0.63
4218NH	5	106	48	36 to 56	4.8	45	70	Ball	Leads	0.63

