



Chipsmall Limited consists of a professional team with an average of over 10 year of expertise in the distribution of electronic components. Based in Hongkong, we have already established firm and mutual-benefit business relationships with customers from,Europe,America and south Asia,supplying obsolete and hard-to-find components to meet their specific needs.

With the principle of “Quality Parts,Customers Priority,Honest Operation,and Considerate Service”,our business mainly focus on the distribution of electronic components. Line cards we deal with include Microchip,ALPS,ROHM,Xilinx,Pulse,ON,Everlight and Freescale. Main products comprise IC,Modules,Potentiometer,IC Socket,Relay,Connector.Our parts cover such applications as commercial,industrial, and automotives areas.

We are looking forward to setting up business relationship with you and hope to provide you with the best service and solution. Let us make a better world for our industry!



## Contact us

Tel: +86-755-8981 8866 Fax: +86-755-8427 6832

Email & Skype: info@chipsmall.com Web: www.chipsmall.com

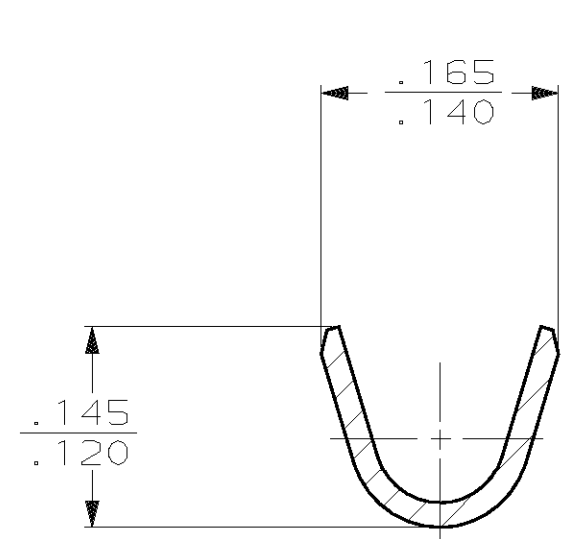
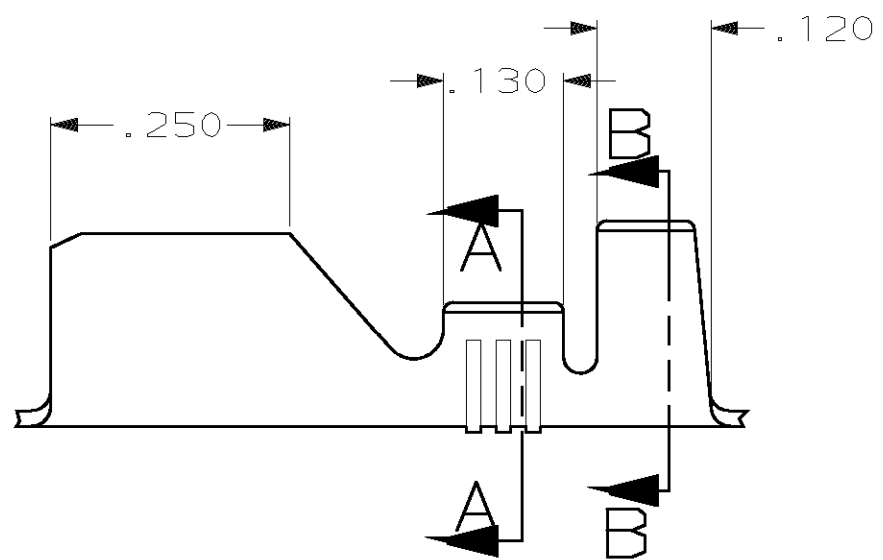
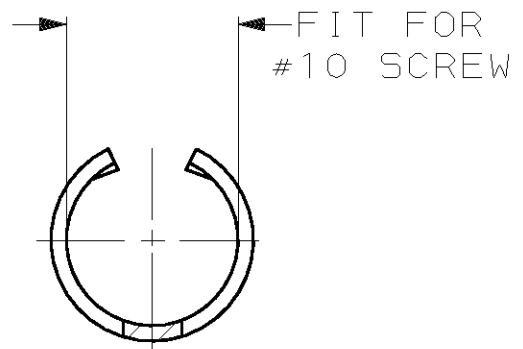
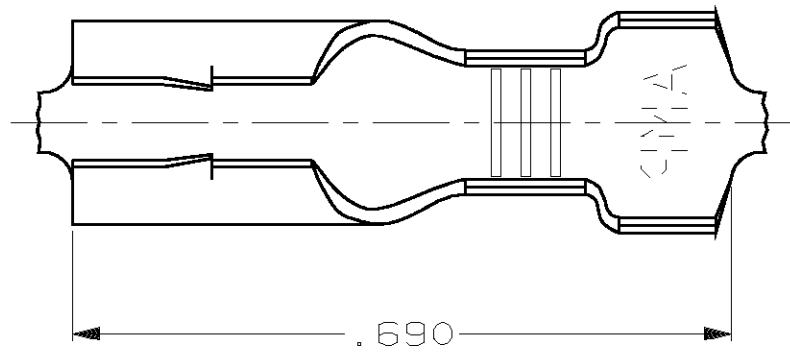
Address: A1208, Overseas Decoration Building, #122 Zhenhua RD., Futian, Shenzhen, China



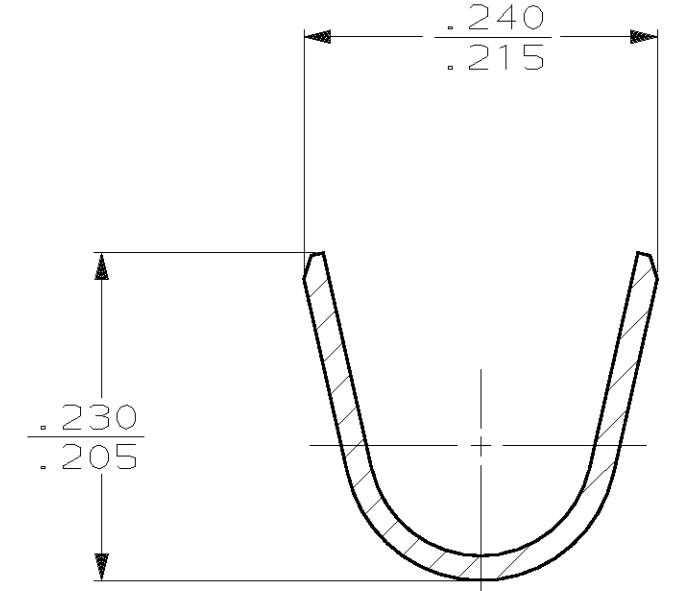
THIS DRAWING IS UNPUBLISHED. RELEASED FOR PUBLICATION, 19  
 © COPYRIGHT 19 BY AMP INCORPORATED. ALL INTERNATIONAL RIGHTS RESERVED.

LOC	DIST	REVISIONS						
AF	50	P	F	ZONE	LTR	DESCRIPTION	DATE	APPD
					F	REV PER 0G3A-0402-01	22JUN01	JR/DD

1 CONTINUOUS STRIP ON REELS



SECTION A-A  
SCALE 8:1



SECTION B-B  
SCALE 8:1

		.130-.175 DIA		18-14 AWG		42308-1	
		INSULATION RANGE		WIRE SIZE		PART NO	
0	.180	.200	F	.120	.067	14	DO NOT SCALE PRINT. UNLESS SPECIFIED DIMENSIONS IN mm [INCHES] TOLERANCES ON: 2 PLC DEC ± - 3 PLC DEC ± .015 ANGLES ± -
					.059	16	
					.053	18	
TYPE	WIDTH	STRIP LENGTH ±.015	TYPE	WIDTH	±.002 HEIGHT	WIRE	MATERIAL
INSUL BARREL CRIMP			WIRE BARREL CRIMP				#4 HARD BRASS
						FINISH	
						DR 3/14/90 P FORTNEY	
						CHK 3/14/90 JR RUTH	
						APPD 3/14/90 G YETTER	
						APPD 3/14/90 R KUZO	
						PRODUCT SPEC	
						APPLICATION SPEC	
						WEIGHT -	
						NAME	
						AMP INCORPORATED Harrisburg, Pa. 17105	
						PIN RECEPTACLE FOR #10 SCREW	
						SIZE	
						CAGE CODE	
						DRAWING NO	
						SCALE	
						SHEET	
						1 OF 1	