



Chipsmall Limited consists of a professional team with an average of over 10 year of expertise in the distribution of electronic components. Based in Hongkong, we have already established firm and mutual-benefit business relationships with customers from,Europe,America and south Asia,supplying obsolete and hard-to-find components to meet their specific needs.

With the principle of “Quality Parts,Customers Priority,Honest Operation,and Considerate Service”,our business mainly focus on the distribution of electronic components. Line cards we deal with include Microchip,ALPS,ROHM,Xilinx,Pulse,ON,Everlight and Freescale. Main products comprise IC,Modules,Potentiometer,IC Socket,Relay,Connector.Our parts cover such applications as commercial,industrial, and automotives areas.

We are looking forward to setting up business relationship with you and hope to provide you with the best service and solution. Let us make a better world for our industry!



## Contact us

Tel: +86-755-8981 8866 Fax: +86-755-8427 6832

Email & Skype: info@chipsmall.com Web: www.chipsmall.com

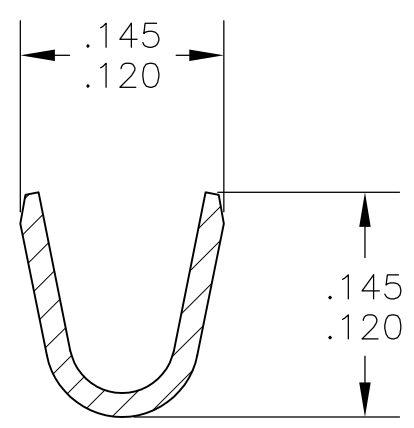
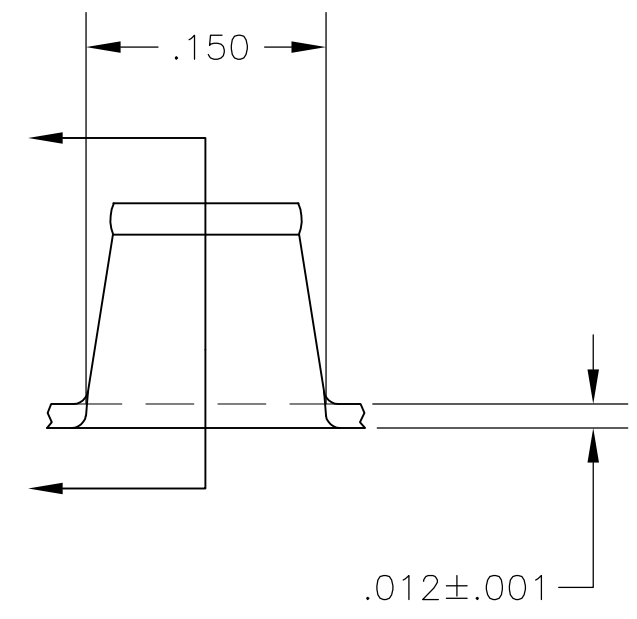
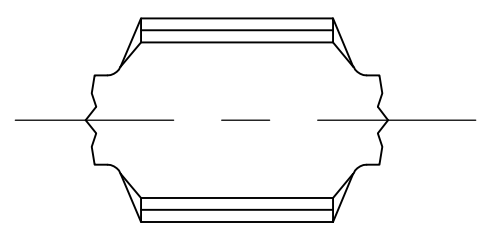
Address: A1208, Overseas Decoration Building, #122 Zhenhua RD., Futian, Shenzhen, China



THIS DRAWING IS UNPUBLISHED. RELEASED FOR PUBLICATION  
 © COPYRIGHT BY TYCO ELECTRONICS CORPORATION. ALL RIGHTS RESERVED.

LOC	DIST	REVISIONS					
AF	50	P	LTR	DESCRIPTION	DATE	DWN	APVD
			H2	ECR-07-018635(REDRAWN IN AUTOCAD)	08AUG07	HMR	GP

- 1 CONTINUOUS STRIP ON REELS
- 2 WIRE RANGE FOR NEW APPLICATIONS: 3200-3900 CMA  
 (WIRE RANGE APPROVED FOR APPLICATIONS IMPLEMENTED  
 PRIOR TO 2005: 1600-4200 CMA).



42329-1  
 PART NO

THIS DRAWING IS A CONTROLLED DOCUMENT.		DWN	M.S. FEHER	14NOV2005	Tyco Electronics Corporation Harrisburg, PA 17105-3608		
DIMENSIONS: INCHES		CHK	G.D. PORTA	14NOV2005	NAME		
		APVD	G.D. PORTA	14NOV2005	SPLICE		
TOLERANCES UNLESS OTHERWISE SPECIFIED:		PRODUCT SPEC		-			
0 PLC ± -		APPLICATION SPEC		-			
1 PLC ± -		SIZE	A3	CAGE CODE	00779	DRAWING NO	C-42329
2 PLC ± -		WEIGHT		-			
3 PLC ± .015		CUSTOMER DRAWING		SCALE	5:1	SHEET	1 OF 1
4 PLC ± -		FINISH		.000100 MIN NICKEL			
ANGLES ± 1°		RESTRICTED TO		-			
MATERIAL		STEEL		REV		H2	