



Chipsmall Limited consists of a professional team with an average of over 10 year of expertise in the distribution of electronic components. Based in Hongkong, we have already established firm and mutual-benefit business relationships with customers from,Europe,America and south Asia,supplying obsolete and hard-to-find components to meet their specific needs.

With the principle of “Quality Parts,Customers Priority,Honest Operation,and Considerate Service”,our business mainly focus on the distribution of electronic components. Line cards we deal with include Microchip,ALPS,ROHM,Xilinx,Pulse,ON,Everlight and Freescale. Main products comprise IC,Modules,Potentiometer,IC Socket,Relay,Connector.Our parts cover such applications as commercial,industrial, and automotives areas.

We are looking forward to setting up business relationship with you and hope to provide you with the best service and solution. Let us make a better world for our industry!



## Contact us

Tel: +86-755-8981 8866 Fax: +86-755-8427 6832

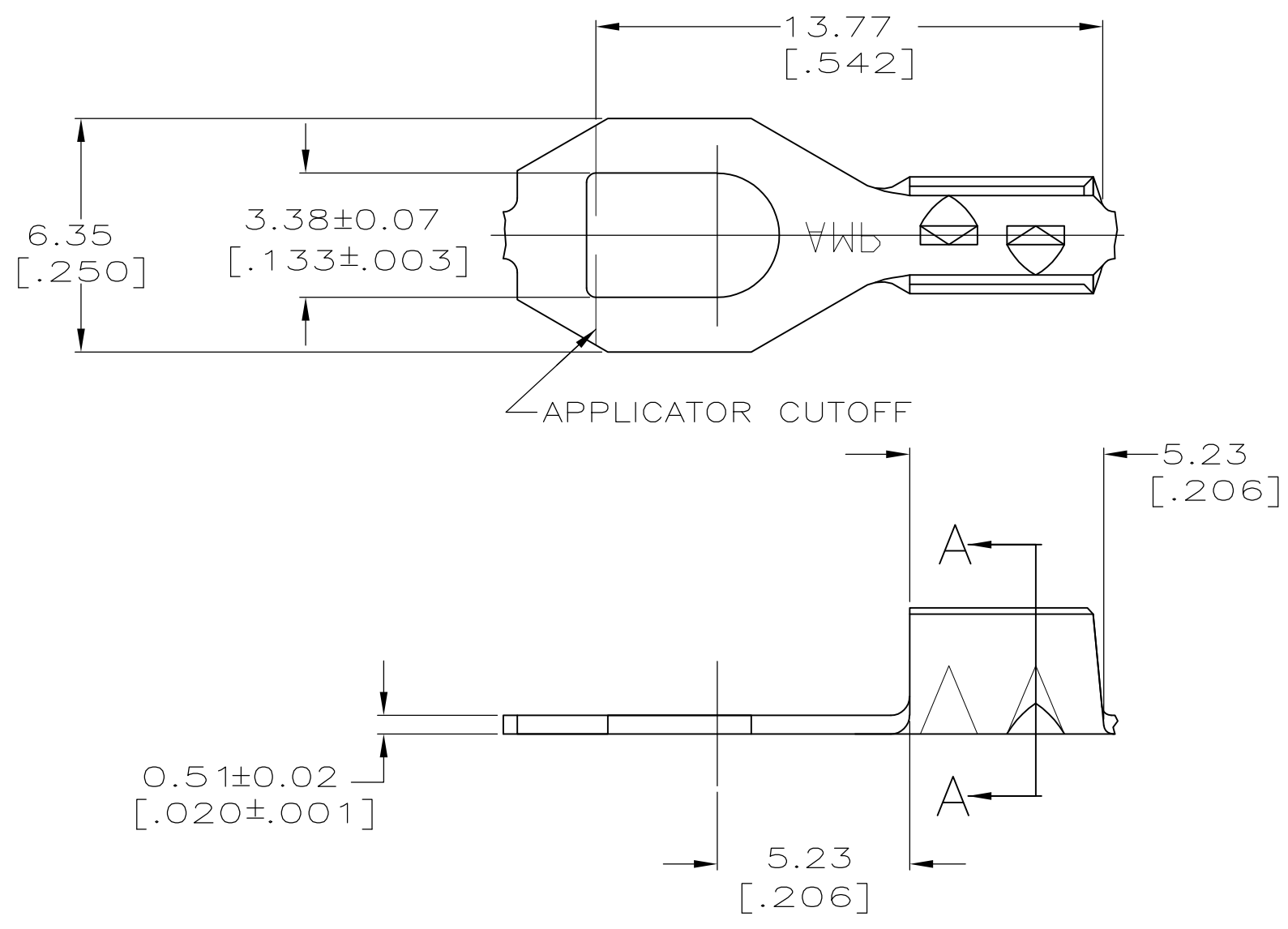
Email & Skype: info@chipsmall.com Web: www.chipsmall.com

Address: A1208, Overseas Decoration Building, #122 Zhenhua RD., Futian, Shenzhen, China

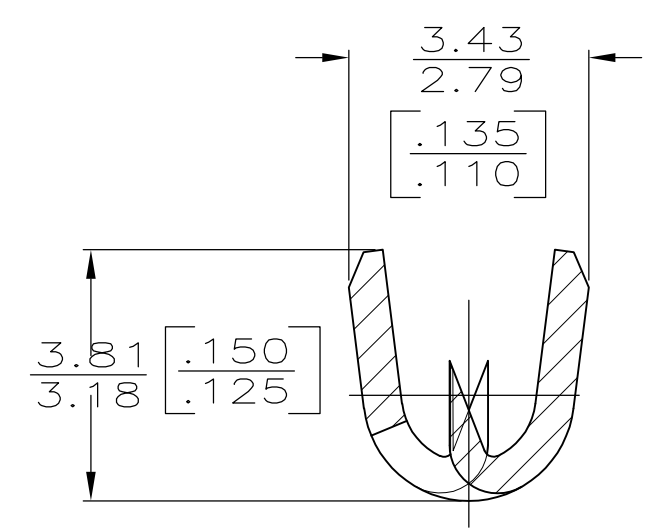


THIS DRAWING IS UNPUBLISHED. RELEASED FOR PUBLICATION  
 © COPYRIGHT BY TYCO ELECTRONICS CORPORATION. ALL INTERNATIONAL RIGHTS RESERVED.

LOC	DIST	REVISIONS			
P	LTR	DESCRIPTION	DATE	DWN	APVD
AF	50	G	REVISED PER ECR-10-006099	07JUL10	HMR PD



1 CONTINUOUS STRIP ON REELS



SECTION A-A  
SCALE 10:1

1.65-2.03 [.065-.080]	42339-2
INSULATION RANGE	PART NO

0	2.79 [.110]	THIS DRAWING IS A CONTROLLED DOCUMENT.		DWN	P FORTNEY	10/9/89	Tyco Electronics Corporation Harrisburg, PA 17105-3608
		DIMENSIONS:	TOLERANCES UNLESS OTHERWISE SPECIFIED:	CHK	JR RUTH	10/9/89	
TYPE	WIDTH	mm [INCHES]	0 PLC ± -	APVD	G YETTER	10/9/89	NAME
INSUL BARREL CRIMP			1 PLC ± -	PRODUCT SPEC	SPADE, INSULATION PIERCING		
			2 PLC ± -	APPLICATION SPEC	SIZE	CAGE CODE	DRAWING NO
			3 PLC ± 0.25 [.010]	WEIGHT	A3 00779 C-42339		
			4 PLC ± -	CUSTOMER DRAWING		SCALE	6:1
			ANGLES ± -			SHEET	1 OF 1
			FINISH			REV	G
			#2 HARD BRASS				
			TIN				