



Chipsmall Limited consists of a professional team with an average of over 10 year of expertise in the distribution of electronic components. Based in Hongkong, we have already established firm and mutual-benefit business relationships with customers from,Europe,America and south Asia,supplying obsolete and hard-to-find components to meet their specific needs.

With the principle of "Quality Parts,Customers Priority,Honest Operation,and Considerate Service",our business mainly focus on the distribution of electronic components. Line cards we deal with include Microchip,ALPS,ROHM,Xilinx,Pulse,ON,Everlight and Freescale. Main products comprise IC,Modules,Potentiometer,IC Socket,Relay,Connector.Our parts cover such applications as commercial,industrial, and automotives areas.

We are looking forward to setting up business relationship with you and hope to provide you with the best service and solution. Let us make a better world for our industry!



Contact us

Tel: +86-755-8981 8866 Fax: +86-755-8427 6832

Email & Skype: info@chipsmall.com Web: www.chipsmall.com

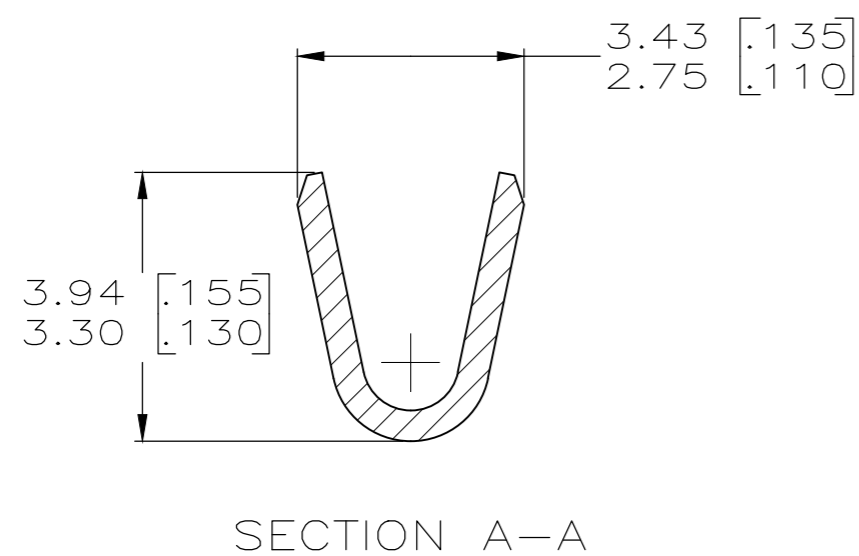
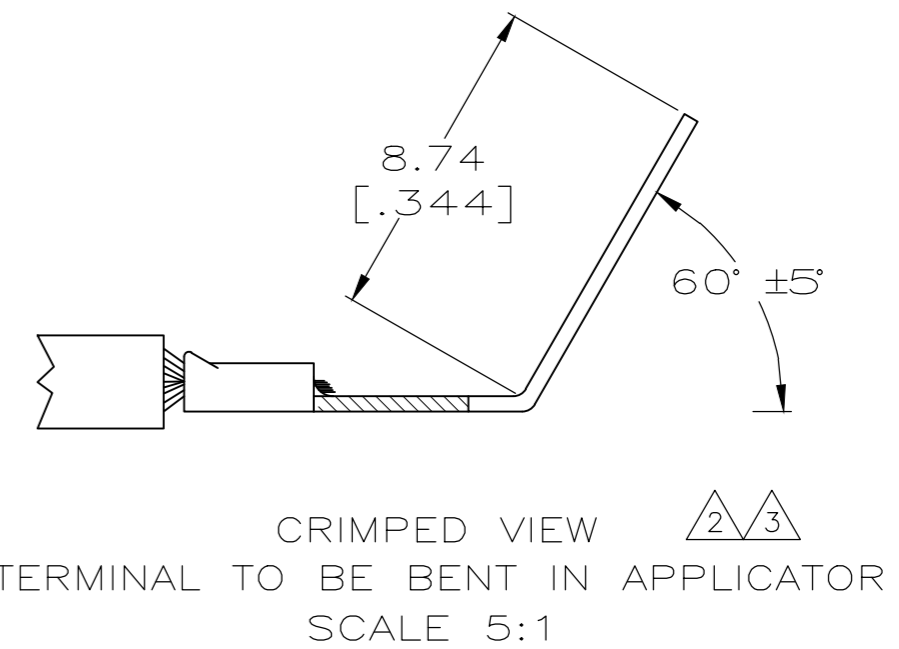
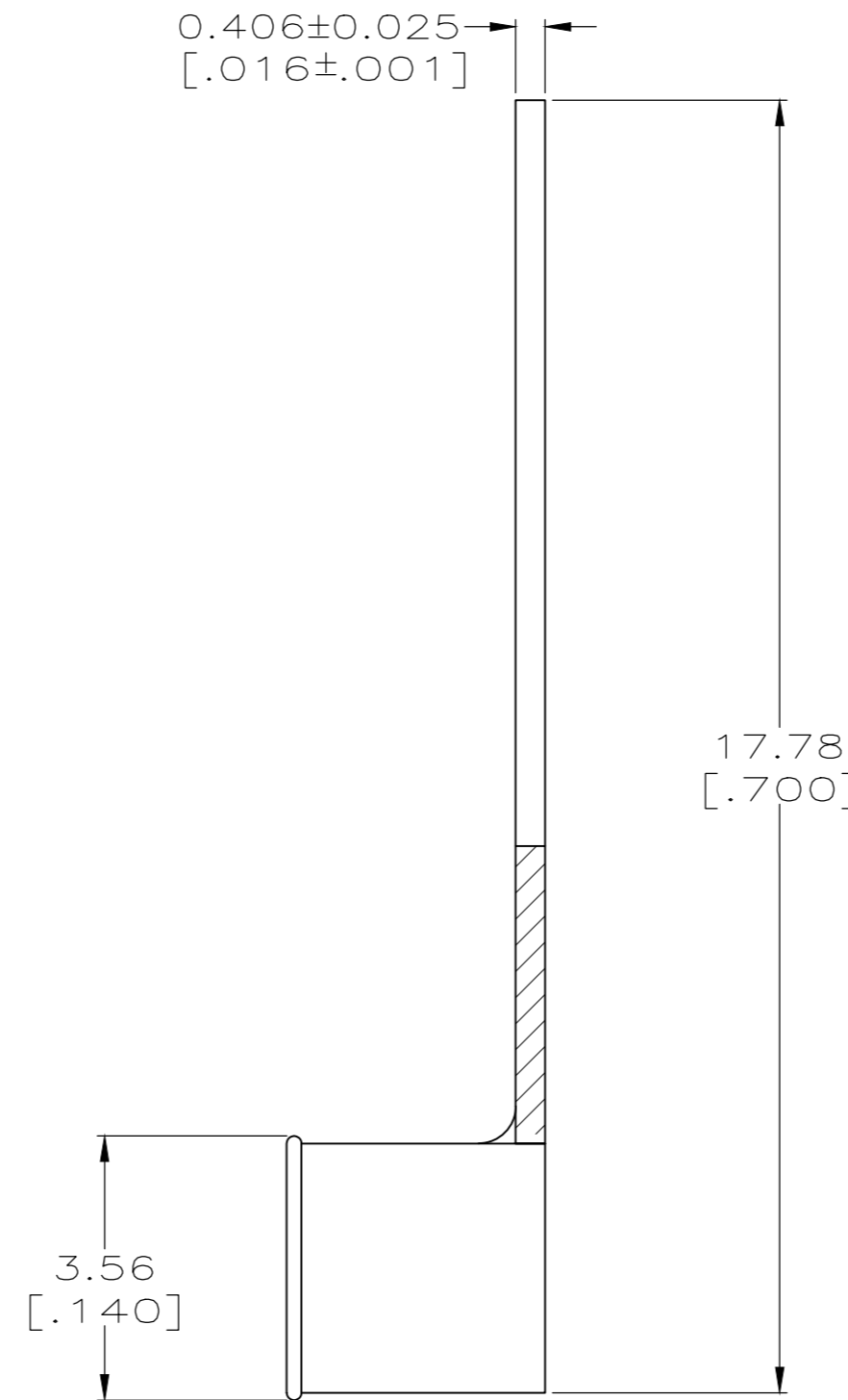
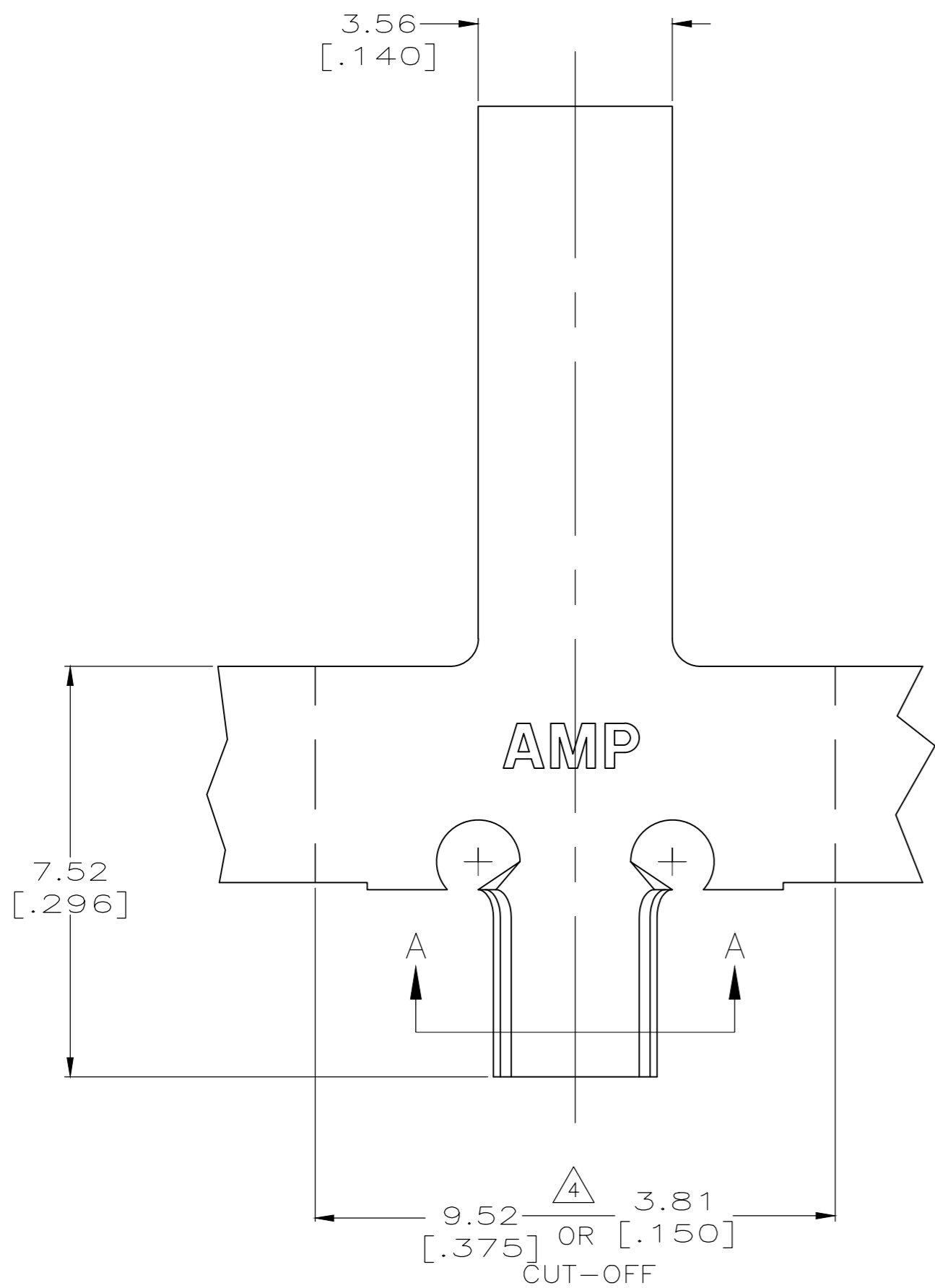
Address: A1208, Overseas Decoration Building, #122 Zhenhua RD., Futian, Shenzhen, China



THIS DRAWING IS UNPUBLISHED. RELEASED FOR PUBLICATION
 © COPYRIGHT - By - ALL RIGHTS RESERVED.

REVISIONS				
P	LTR	DESCRIPTION	DATE	APVD
B2		REVISED PER ECR-16-014022	06OCT2016	BW RS

- 1 CONTINUOUS STRIP ON REELS WITH TERMINALS LOCATED ON 11.13±0.13[.438±.005] CENTERS.
- 2 SUFFIX LETTER MUST BE USED ONLY WHEN ORDERING APPLICATOR TOOLING.
- 3 APPLICATOR TOOLING PRESENTLY AVAILABLE FOR BENT VERSION ONLY.
- 4 CONTACT WIDTH MUST BE SPECIFIED WHEN ORDERING APPLICATOR.
- 5 0.002032[.000080] MIN TIN PLATE.



OBSOLETE	5	42349-2 H	#18-#14 OR (2) #18	42349-2
NONE	2	42349-1 H	#18-#14 OR (2) #18	42349-1
FINISH		TERMINAL NUMBER BENT	WIRE RANGE	PART NUMBER
THIS DRAWING IS A CONTROLLED DOCUMENT.		DWN SCOTT URICH 12AUG98	TE Connectivity	
DIMENSIONS: mm [INCHES]		CHK MICHAEL S. FEHER 22SEP98		
TOLERANCES UNLESS OTHERWISE SPECIFIED:		APVD DON DECKER 23SEP98		
0 PLC ± - 1 PLC ± - 2 PLC ± - 3 PLC ± 0.25[.010] 4 PLC ± - ANGLES ± -		NAME CONTACT, LAMP		
MATERIAL 4M BRASS	FINISH SEE TABLE	PRODUCT SPEC -	APPLICATION SPEC -	RESTRICTED TO -
		WEIGHT 0	SIZE A2	CAGE CODE 00779
		CUSTOMER DRAWING	DRAWING NO C=42349	SCALE 10:1
			SHEET 1 of 1	REV B2