



Chipsmall Limited consists of a professional team with an average of over 10 year of expertise in the distribution of electronic components. Based in Hongkong, we have already established firm and mutual-benefit business relationships with customers from,Europe,America and south Asia,supplying obsolete and hard-to-find components to meet their specific needs.

With the principle of “Quality Parts,Customers Priority,Honest Operation,and Considerate Service”,our business mainly focus on the distribution of electronic components. Line cards we deal with include Microchip,ALPS,ROHM,Xilinx,Pulse,ON,Everlight and Freescale. Main products comprise IC,Modules,Potentiometer,IC Socket,Relay,Connector.Our parts cover such applications as commercial,industrial, and automotives areas.

We are looking forward to setting up business relationship with you and hope to provide you with the best service and solution. Let us make a better world for our industry!



## Contact us

Tel: +86-755-8981 8866 Fax: +86-755-8427 6832

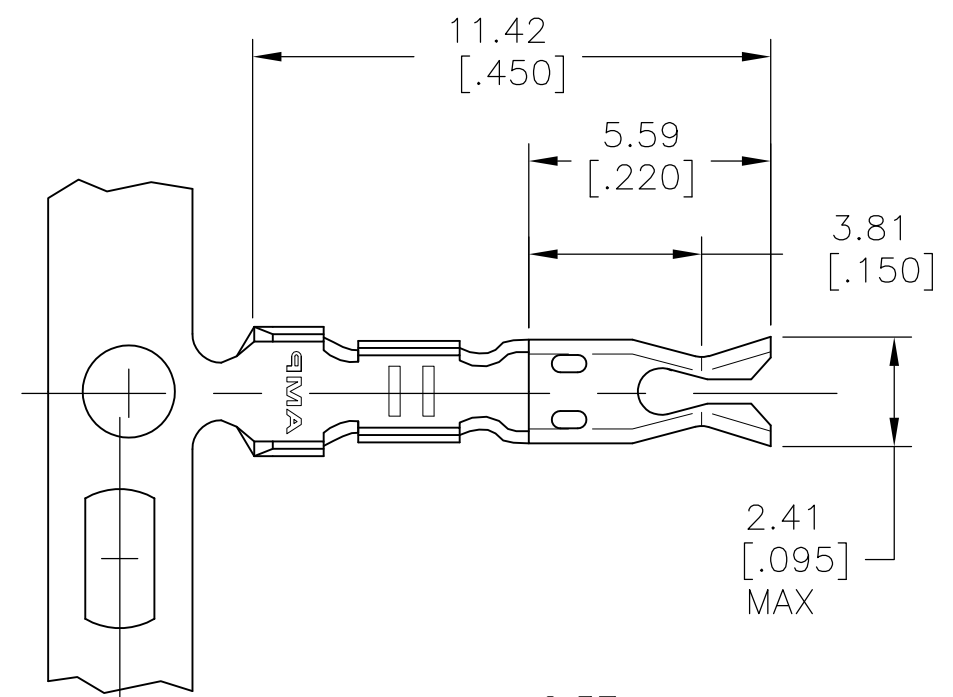
Email & Skype: info@chipsmall.com Web: www.chipsmall.com

Address: A1208, Overseas Decoration Building, #122 Zhenhua RD., Futian, Shenzhen, China

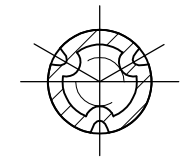


THIS DRAWING IS UNPUBLISHED. RELEASED FOR PUBLICATION  
 © COPYRIGHT - By - ALL RIGHTS RESERVED.

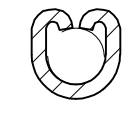
LOC	DIST	REVISIONS			
P	LTR	DESCRIPTION	DATE	DWN	APVD
AF	50	AZ1	REVISED PER ECR-12-018652	06NOV12	KH GJ



OPTIONAL DESIGNS TO STABILIZE PIN

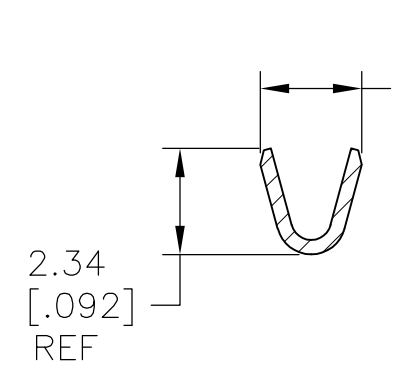
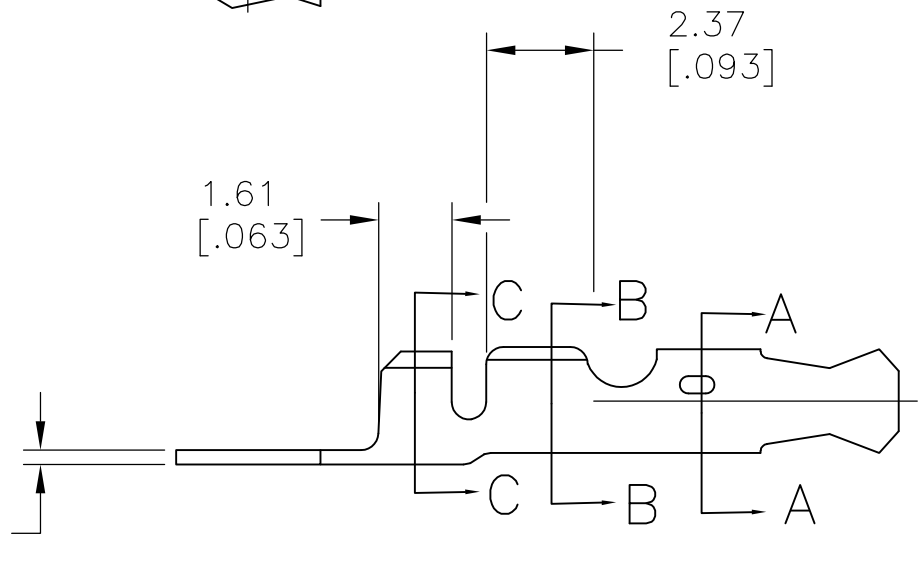


DIMPLES

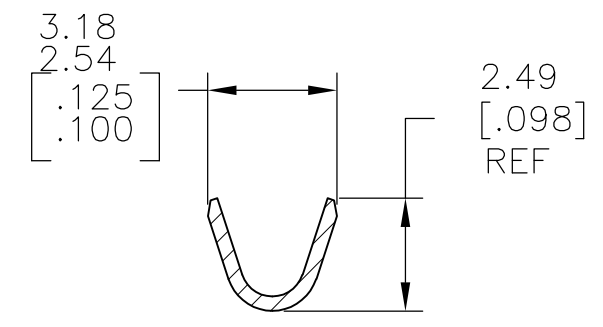


"F" CRIMP

SECTION A-A



SECTION B-B



SECTION C-C

- 1 CONTINUOUS STRIP ON REELS ON 7.37[.290] CENTERS
- 2 WIRE SIZE IS 0.2 - 0.5 mm<sup>2</sup> [#24 - #20 AWG]
- 3 INSULATION RANGE IS 1.22 - 1.80 [.048 - .071] DIA
- 4 CONTACT ACCEPTS 1.02±.03[.040±.001] DIA PIN

REVERSE REEL	H04 PHOS BRONZE - SILVER PL	42428-8
REVERSE REEL	H04 PHOS BRONZE - UNPLATED	42428-6
REVERSE REEL	H04 PHOS BRONZE - TIN PL	42428-5
--	H04 PHOS BRONZE - TIN PL	42428-2
REMARKS	MATERIAL & FINISH	PART NO

THIS DRAWING IS A CONTROLLED DOCUMENT.		DWN jr_ruth 18DEC07	TE Connectivity	
DIMENSIONS: mm [INCHES]		CHK DON DECKER 18DEC07		
TOLERANCES UNLESS OTHERWISE SPECIFIED:		APVD DON DECKER 18DEC07	NAME	
0 PLC ± - 1 PLC ± - 2 PLC ± 0.38[.015] 3 PLC ± - 4 PLC ± - ANGLES ± 5°		PRODUCT SPEC	RECEPTACLE, PIN, 1.02[.040] DIA	
MATERIAL SEE TABLE		FINISH SEE TABLE	APPLICATION SPEC	RESTRICTED TO
		114-2083	SIZE A3	CAGE CODE 00779
		CUSTOMER DRAWING	DRAWING NO C-42428	SCALE 6:1
			REVISIONS	SHEET 1 OF 1
			REV AZ1	