



Chipsmall Limited consists of a professional team with an average of over 10 year of expertise in the distribution of electronic components. Based in Hongkong, we have already established firm and mutual-benefit business relationships with customers from,Europe,America and south Asia,supplying obsolete and hard-to-find components to meet their specific needs.

With the principle of “Quality Parts,Customers Priority,Honest Operation,and Considerate Service”,our business mainly focus on the distribution of electronic components. Line cards we deal with include Microchip,ALPS,ROHM,Xilinx,Pulse,ON,Everlight and Freescale. Main products comprise IC,Modules,Potentiometer,IC Socket,Relay,Connector.Our parts cover such applications as commercial,industrial, and automotives areas.

We are looking forward to setting up business relationship with you and hope to provide you with the best service and solution. Let us make a better world for our industry!



## Contact us

Tel: +86-755-8981 8866 Fax: +86-755-8427 6832

Email & Skype: info@chipsmall.com Web: www.chipsmall.com

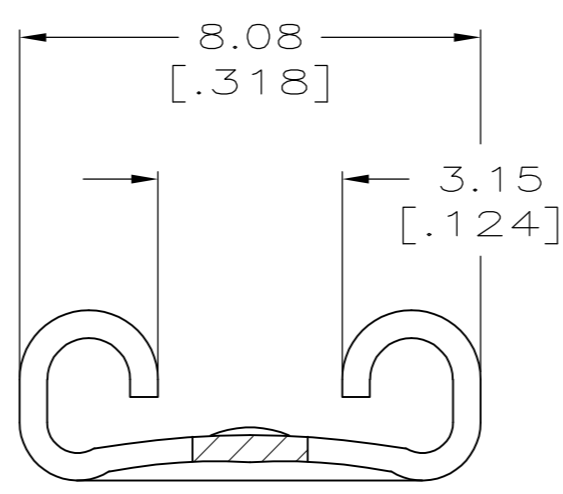
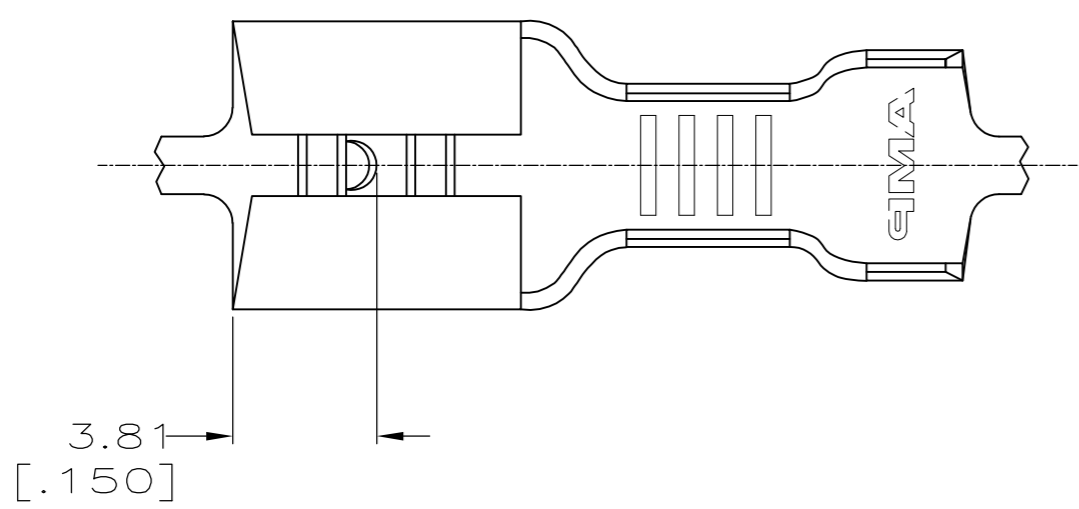
Address: A1208, Overseas Decoration Building, #122 Zhenhua RD., Futian, Shenzhen, China



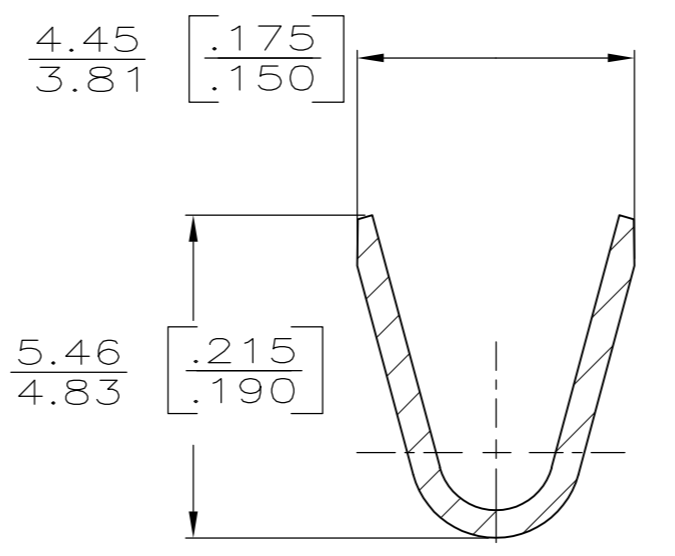
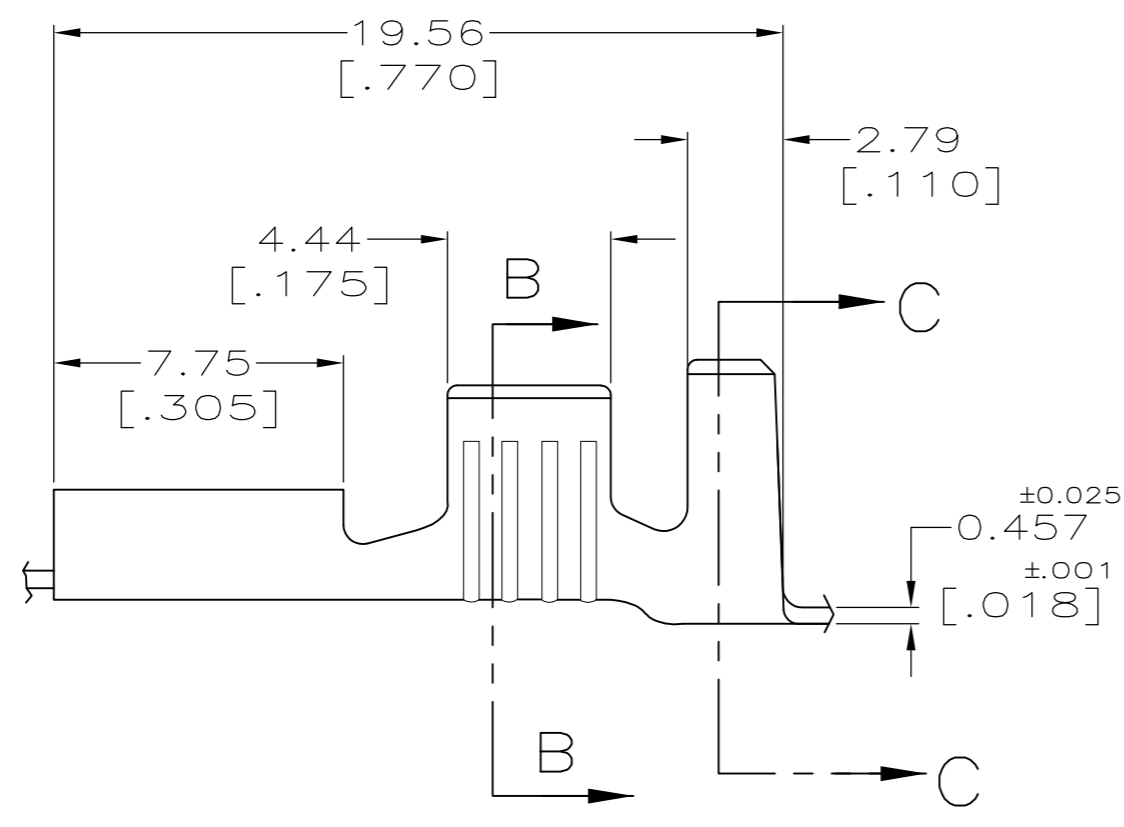
THIS DRAWING IS UNPUBLISHED. RELEASED FOR PUBLICATION  
 © COPYRIGHT - By - ALL RIGHTS RESERVED.

LOC		DIST		REVISIONS			
P	LTR	DESCRIPTION		DATE	DWN	APVD	
AF	50	AD	REVISED PER ECR-12-013445	18OCT12	KH	PD	

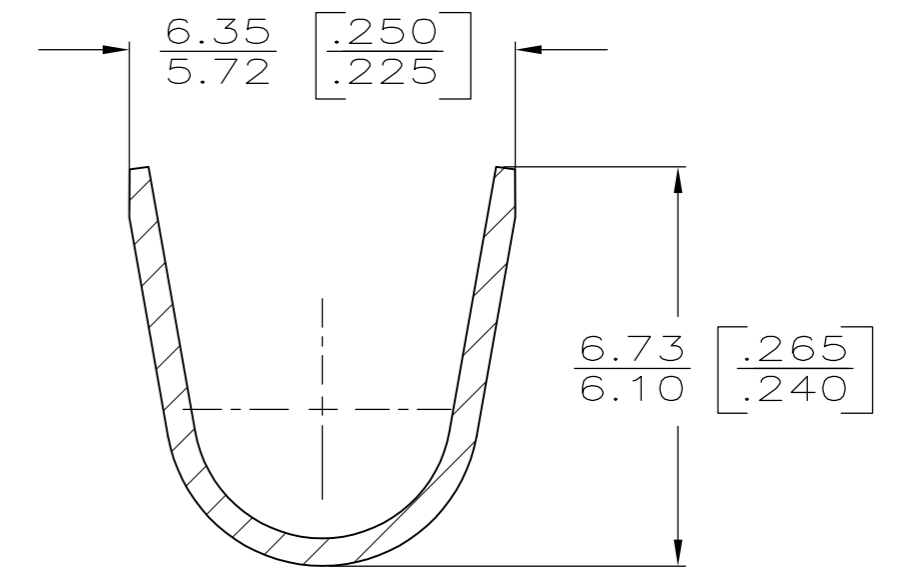
- 1 CONTINUOUS STRIP ON REELS
- △2 MAX FIRST INSERTION FORCE, 88.96 NEWTON [20 LBS] USING GAGE 100505.
- 3 WIRE SIZE IS #14-10 AWG
- 4 INSULATION RANGE IS 3.81-5.08 [.150-.200] DIA
- 5 MATING TAB THK IS 0.81±0.025 [.032±.001]
- △6 FOREIGN PRODUCTION ONLY
- △7 OBSOLETE PARTS: OBSOLETE CIS STREAMLINING PER D.RENAUD/D.SINISI



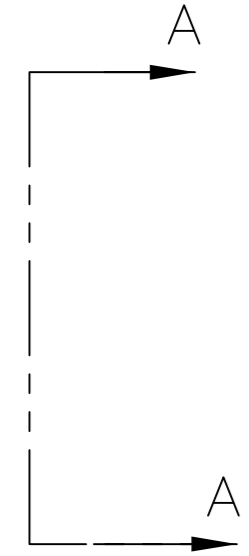
VIEW A-A  
SCALE 10:1



SECTION B-B  
SCALE 8:1



SECTION C-C  
SCALE 8:1



TYPE	WIDTH	STRIP LENGTH ±0.38 ±[.015]	TYPE	WIDTH	±.051 ±.002 HEIGHT	WIRE
F	5.33 [.210]	6.4 [.252]	F	3.30 [.130]	2.108 [.083]	2.0mm [14]
					2.413 [.095]	3.0mm [12]
					2.921 [.115]	5.0mm [10]
INSUL BARREL CRIMP	WIRE BARREL CRIMP					

FINISH	MATERIAL	PART NO.
△6 △7 OBSOLETE	SILVER	TEMP3 PHOS BRZ
	TIN	TEMP3 PHOS BRZ
OBSOLETE	-	TEMP3 PHOS BRZ
OBSOLETE	SILVER	TEMP4 BRASS
	TIN	BRASS
OBSOLETE	-	TEMP4 BRASS
	FINISH	MATERIAL
		PART NO.

THIS DRAWING IS A CONTROLLED DOCUMENT.

DWN	JR RUTH	7/10/89
CHK	MS FEHER	7/10/89
APVD	C MEYERS	7/10/89
PRODUCT SPEC		
APPLICATION SPEC		
WEIGHT	-	
CUSTOMER DRAWING		

**TE** TE Connectivity

RECEPTACLE, FASTON, .250 SERIES

SIZE	A2	CAGE CODE	00779	DRAWING NO	C=42437	RESTRICTED TO	-
SCALE	5:1	SHEET	1 of 1	REV	AD		