



Chipsmall Limited consists of a professional team with an average of over 10 year of expertise in the distribution of electronic components. Based in Hongkong, we have already established firm and mutual-benefit business relationships with customers from,Europe,America and south Asia,supplying obsolete and hard-to-find components to meet their specific needs.

With the principle of "Quality Parts,Customers Priority,Honest Operation,and Considerate Service",our business mainly focus on the distribution of electronic components. Line cards we deal with include Microchip,ALPS,ROHM,Xilinx,Pulse,ON,Everlight and Freescale. Main products comprise IC,Modules,Potentiometer,IC Socket,Relay,Connector.Our parts cover such applications as commercial,industrial, and automotives areas.

We are looking forward to setting up business relationship with you and hope to provide you with the best service and solution. Let us make a better world for our industry!



## Contact us

Tel: +86-755-8981 8866 Fax: +86-755-8427 6832

Email & Skype: info@chipsmall.com Web: www.chipsmall.com

Address: A1208, Overseas Decoration Building, #122 Zhenhua RD., Futian, Shenzhen, China



THIS DRAWING IS UNPUBLISHED.

RELEASED FOR PUBLICATION

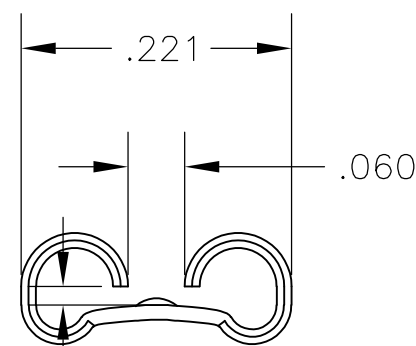
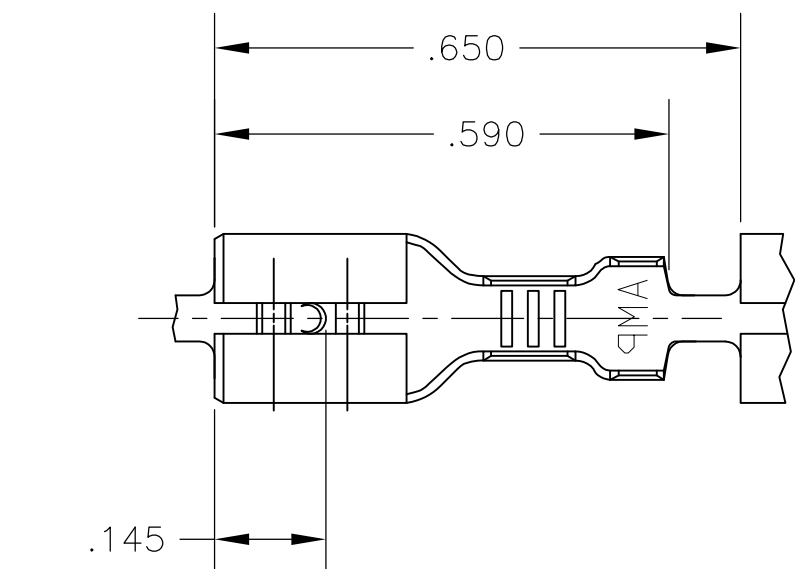
ALL RIGHTS RESERVED.

LOC AF DIST 50

REVISIONS

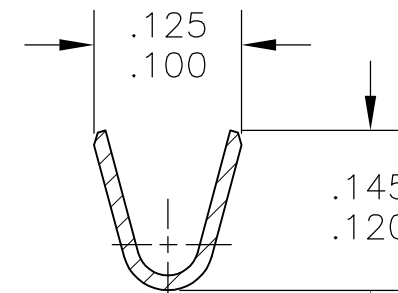
P	LTR	DESCRIPTION	DATE	DWN	APVD
	AG	REVISED PER ECR-12-013445	18OCT12	KH	PD

1 CONTINUOUS STRIP ON REELS.

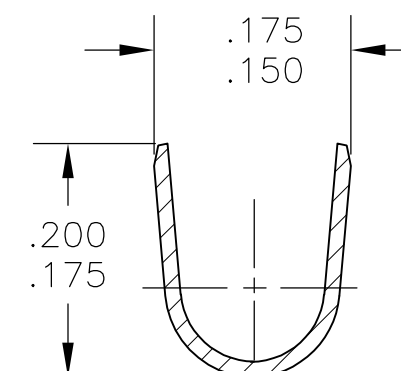


FITS .187 SERIES FASTON TAB

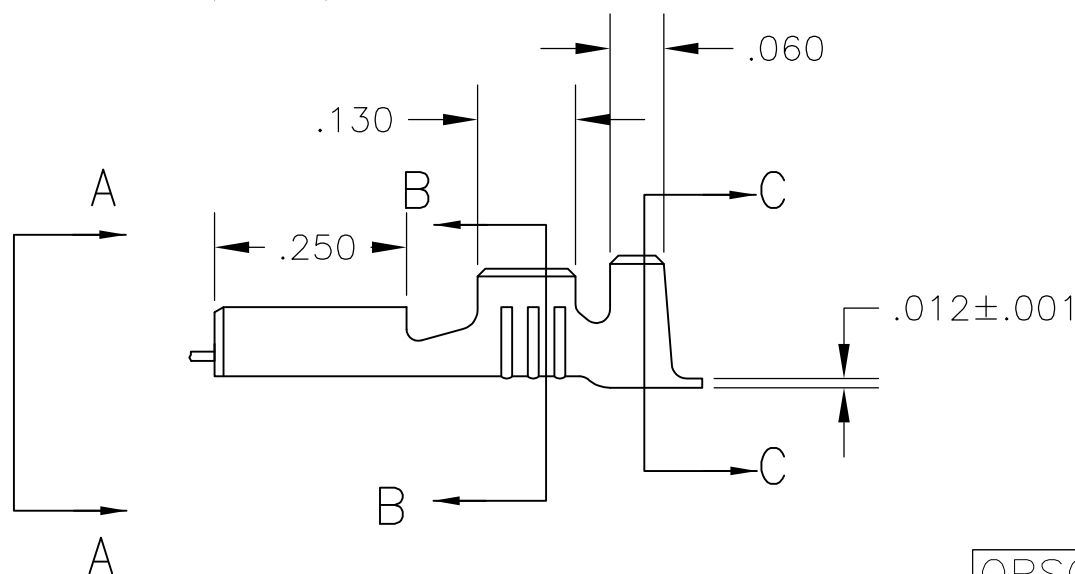
VIEW A-A



SECTION B-B



SECTION C-C



	TIN	#4H PH BRZ	.090-.130	20-16	.020 ±.001	42452-5
OBSOLETE	SILVER	#4H PH BRZ	.090-.130	20-16	.020 ±.001	42452-4
OBSOLETE	SILVER	#4H BRASS	.090-.130	20-16	.020 ±.001	42452-3
	TIN	BRASS	.090-.130	20-16	.020 ±.001	42452-2
	--	BRASS	.090-.130	20-16	.020 ±.001	42452-1
	FINISH	MATERIAL	INSULATION RANGE	WIRE SIZE	MATING TAB THK.	PART NO.

THIS DRAWING IS A CONTROLLED DOCUMENT.

DWN JR RUTH 10/3/86

CHK G YETTER 10/3/86

APVD R KUZO 10/8/86

PRODUCT SPEC

APPLICATION SPEC

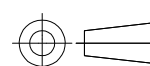
WEIGHT -

STE TE Connectivity

RECEPTACLE, FASTON, .187 SERIES

DIMENSIONS: INCHES

TOLERANCES UNLESS OTHERWISE SPECIFIED:



0 PLC	± -
1 PLC	± -
2 PLC	± -
3 PLC	± .015
4 PLC	± -
ANGLES	± -

MATERIAL SEE ABOVE

FINISH SEE ABOVE

SIZE	CAGE CODE	DRAWING NO	RESTRICTED TO
A3	00779	C-42452	-

CUSTOMER DRAWING SCALE NTS SHEET 1 OF 1 REV AG