



Chipsmall Limited consists of a professional team with an average of over 10 year of expertise in the distribution of electronic components. Based in Hongkong, we have already established firm and mutual-benefit business relationships with customers from,Europe,America and south Asia,supplying obsolete and hard-to-find components to meet their specific needs.

With the principle of “Quality Parts,Customers Priority,Honest Operation,and Considerate Service”,our business mainly focus on the distribution of electronic components. Line cards we deal with include Microchip,ALPS,ROHM,Xilinx,Pulse,ON,Everlight and Freescale. Main products comprise IC,Modules,Potentiometer,IC Socket,Relay,Connector.Our parts cover such applications as commercial,industrial, and automotives areas.

We are looking forward to setting up business relationship with you and hope to provide you with the best service and solution. Let us make a better world for our industry!



Contact us

Tel: +86-755-8981 8866 Fax: +86-755-8427 6832

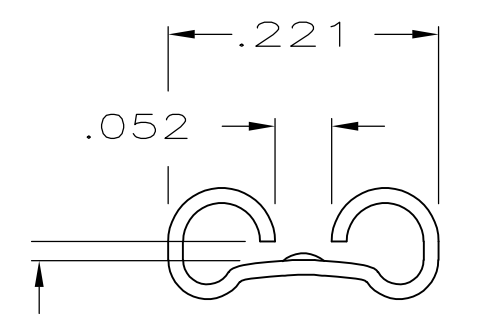
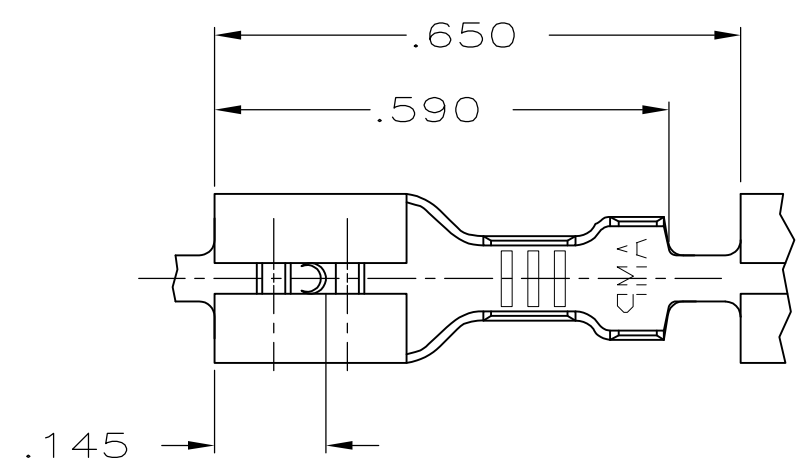
Email & Skype: info@chipsmall.com Web: www.chipsmall.com

Address: A1208, Overseas Decoration Building, #122 Zhenhua RD., Futian, Shenzhen, China



THIS DRAWING IS UNPUBLISHED. RELEASED FOR PUBLICATION
 © COPYRIGHT - By - ALL RIGHTS RESERVED.

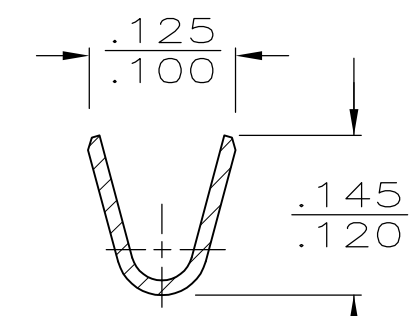
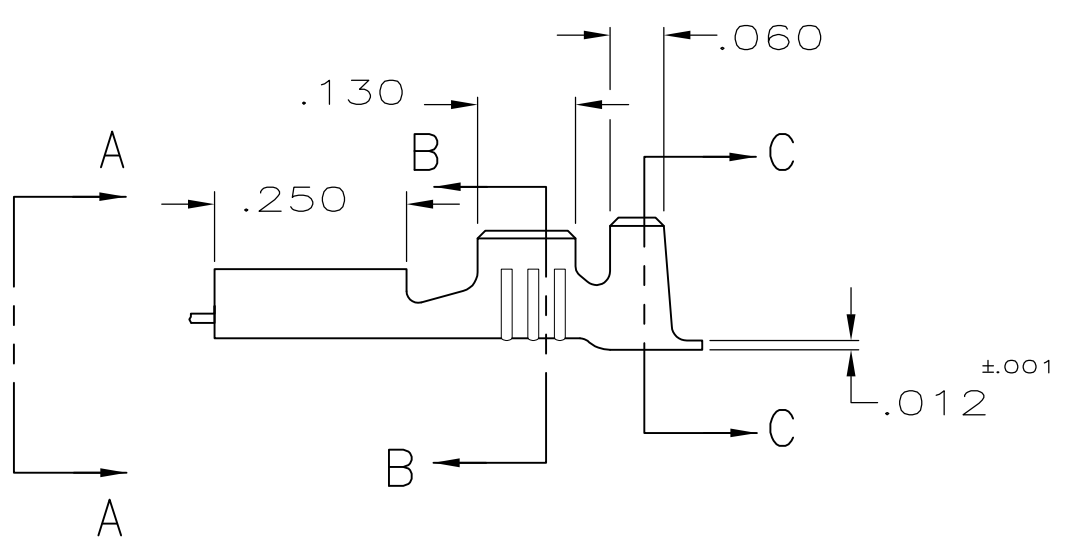
LOC	DIST	REVISIONS					
AF	50	P	LTR	DESCRIPTION	DATE	DWN	APVD
		AD		REVISED PER ECR-12-013445	18OCT12	KH	PD



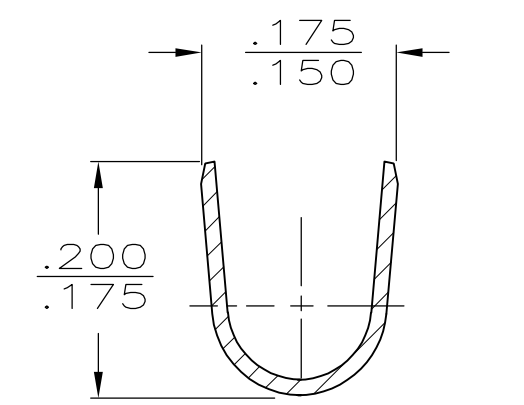
— FITS .187 SERIES FASTON TAB

VIEW A-A

1 CONTINUOUS STRIP ON REELS.



SECTION B-B



SECTION C-C

OBSOLETE	SILVER	#4H PH BRZ	.090-.130	20-16	.015 ±.001	42453-3
	TIN	BRASS	.090-.130	20-16	.015 ±.001	42453-2
OBSOLETE	—	#4H BRASS	.090-.130	20-16	.015 ±.001	42453-1
	FINISH	MATERIAL	INSULATION RANGE	WIRE SIZE	TAB THK.	PART NUMBER

THIS DRAWING IS A CONTROLLED DOCUMENT.		DWN	JR RUTH	10/3/86	TE Connectivity				
DIMENSIONS: INCHES		CHK	G YETTER	10/3/86					
		APVD	R KUZO	10/27/96					
TOLERANCES UNLESS OTHERWISE SPECIFIED: 0 PLC ± - 1 PLC ± - 2 PLC ± - 3 PLC ± .015 4 PLC ± - ANGLES ± -		PRODUCT SPEC	NAME				.187 SERIES FASTON RECEPTACLE		
MATERIAL	SEE ABOVE	FINISH	SEE ABOVE	WEIGHT	—	RESTRICTED TO			
CUSTOMER DRAWING				SIZE	A3	CAGE CODE	00779	DRAWING NO	C-42453
				SCALE	NTS	SHEET	1 OF 1	REV	AD