



Chipsmall Limited consists of a professional team with an average of over 10 year of expertise in the distribution of electronic components. Based in Hongkong, we have already established firm and mutual-benefit business relationships with customers from,Europe,America and south Asia,supplying obsolete and hard-to-find components to meet their specific needs.

With the principle of “Quality Parts,Customers Priority,Honest Operation,and Considerate Service”,our business mainly focus on the distribution of electronic components. Line cards we deal with include Microchip,ALPS,ROHM,Xilinx,Pulse,ON,Everlight and Freescale. Main products comprise IC,Modules,Potentiometer,IC Socket,Relay,Connector.Our parts cover such applications as commercial,industrial, and automotives areas.

We are looking forward to setting up business relationship with you and hope to provide you with the best service and solution. Let us make a better world for our industry!



Contact us

Tel: +86-755-8981 8866 Fax: +86-755-8427 6832

Email & Skype: info@chipsmall.com Web: www.chipsmall.com

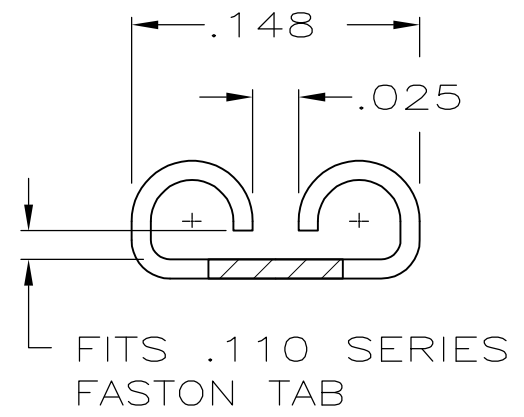
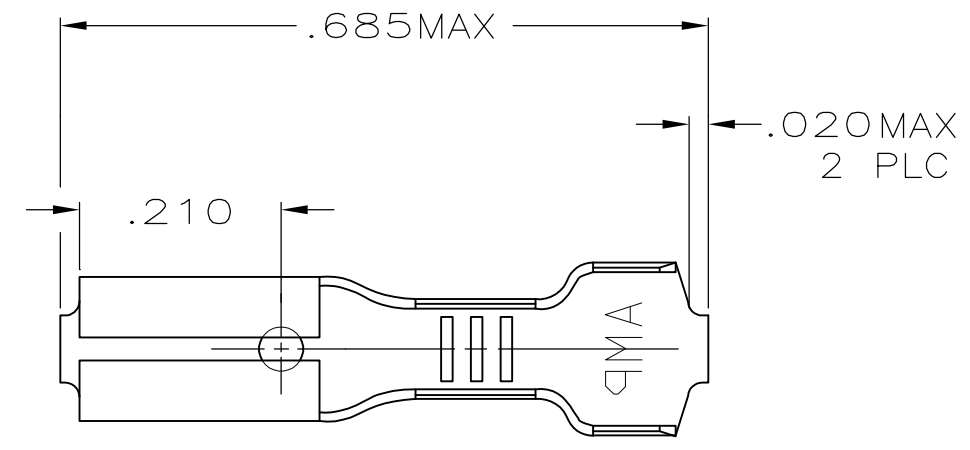
Address: A1208, Overseas Decoration Building, #122 Zhenhua RD., Futian, Shenzhen, China



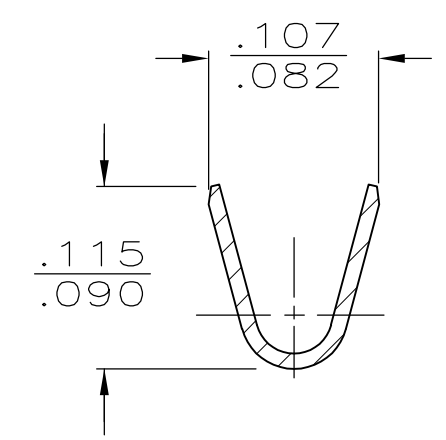
THIS DRAWING IS UNPUBLISHED. RELEASED FOR PUBLICATION
 © COPYRIGHT - By - ALL RIGHTS RESERVED.

LOC	DIST	REVISIONS					
AF	50	P	LTR	DESCRIPTION	DATE	DWN	APVD
		K		REVISED PER ECR-12-013445	18OCT12	KH	PD

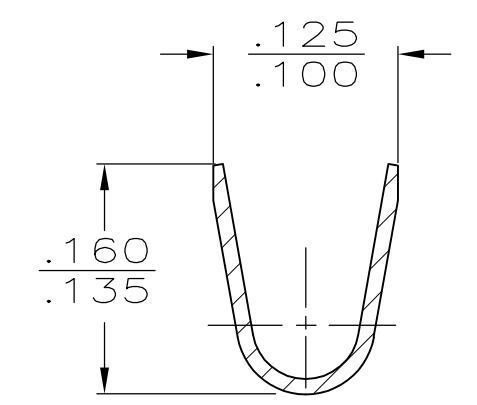
1 SUPPLIED IN LOOSE PIECE



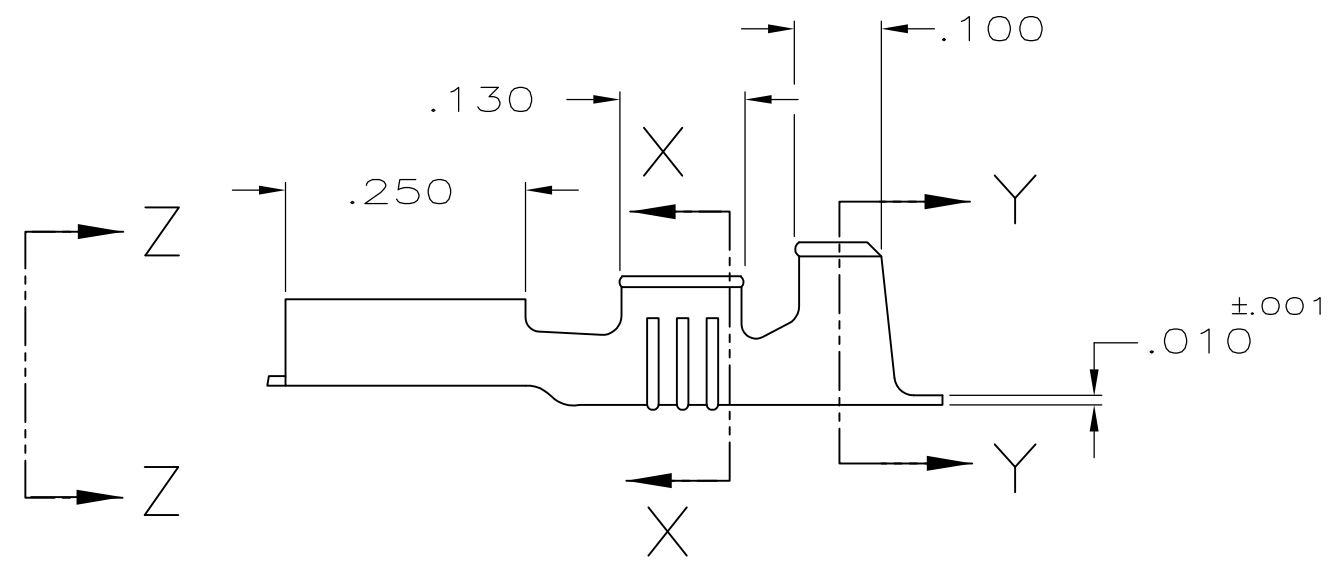
VIEW Z-Z



SECTION X-X
SCALE 10:1



SECTION Y-Y
SCALE 10:1



OBSOLETE	GOLD	.060-.100	22-18 AWG	.020	42470-2
	PRE-TIN	.060-.100	22-18 AWG	.020	42470-1
	FINISH	INSUL RANGE	WIRE SIZE	MATING TAB THK ±.001	PART NO

THIS DRAWING IS A CONTROLLED DOCUMENT.		DWN JR RUTH 12/20/90	TE Connectivity RECEPTACLE, FASTON, .110 SERIES						
DIMENSIONS: INCHES		CHK MS FEHER 12/20/90							
TOLERANCES UNLESS OTHERWISE SPECIFIED:		APVD C MEYERS 12/21/90							
0 PLC ± - 1 PLC ± - 2 PLC ± - 3 PLC ± .015 4 PLC ± - ANGLES ± -		NAME							
MATERIAL: BRASS		FINISH: SEE TABLE	PRODUCT SPEC: -	APPLICATION SPEC: -	WEIGHT: -	SIZE: A3	CAGE CODE: 00779	DRAWING NO: C-42470	RESTRICTED TO: -
CUSTOMER DRAWING			SCALE: 5:1	SHEET: 1 OF 1	REV: K				