



Chipsmall Limited consists of a professional team with an average of over 10 year of expertise in the distribution of electronic components. Based in Hongkong, we have already established firm and mutual-benefit business relationships with customers from,Europe,America and south Asia,supplying obsolete and hard-to-find components to meet their specific needs.

With the principle of "Quality Parts,Customers Priority,Honest Operation,and Considerate Service",our business mainly focus on the distribution of electronic components. Line cards we deal with include Microchip,ALPS,ROHM,Xilinx,Pulse,ON,Everlight and Freescale. Main products comprise IC,Modules,Potentiometer,IC Socket,Relay,Connector.Our parts cover such applications as commercial,industrial, and automotives areas.

We are looking forward to setting up business relationship with you and hope to provide you with the best service and solution. Let us make a better world for our industry!



## Contact us

Tel: +86-755-8981 8866 Fax: +86-755-8427 6832

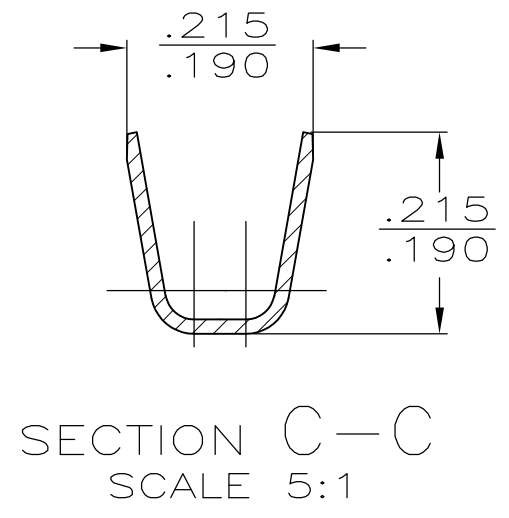
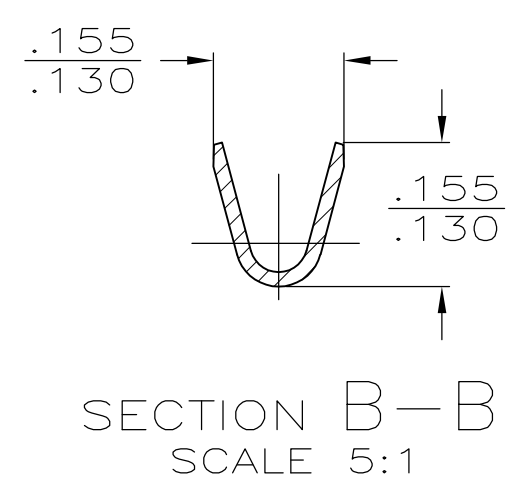
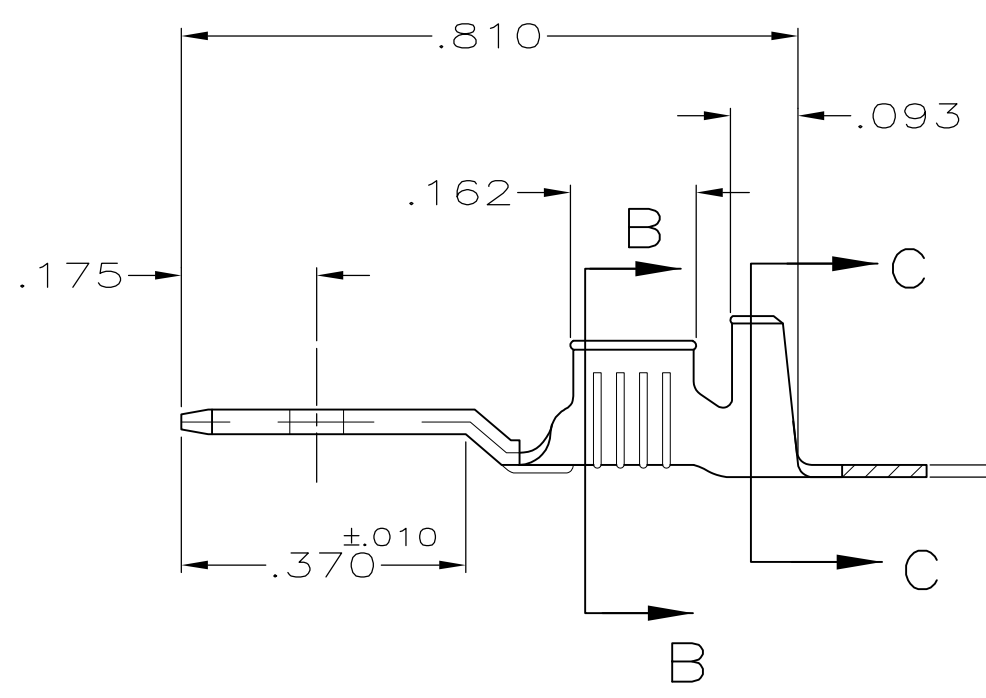
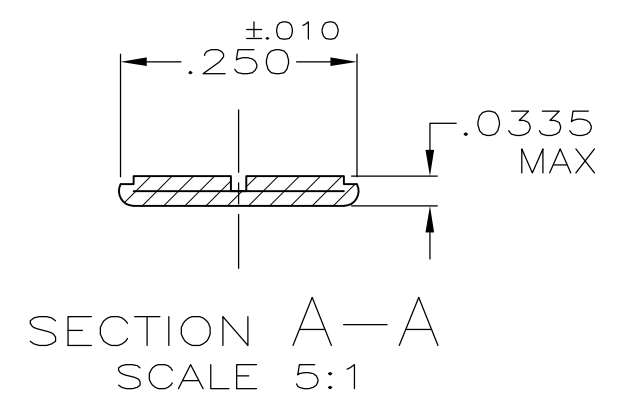
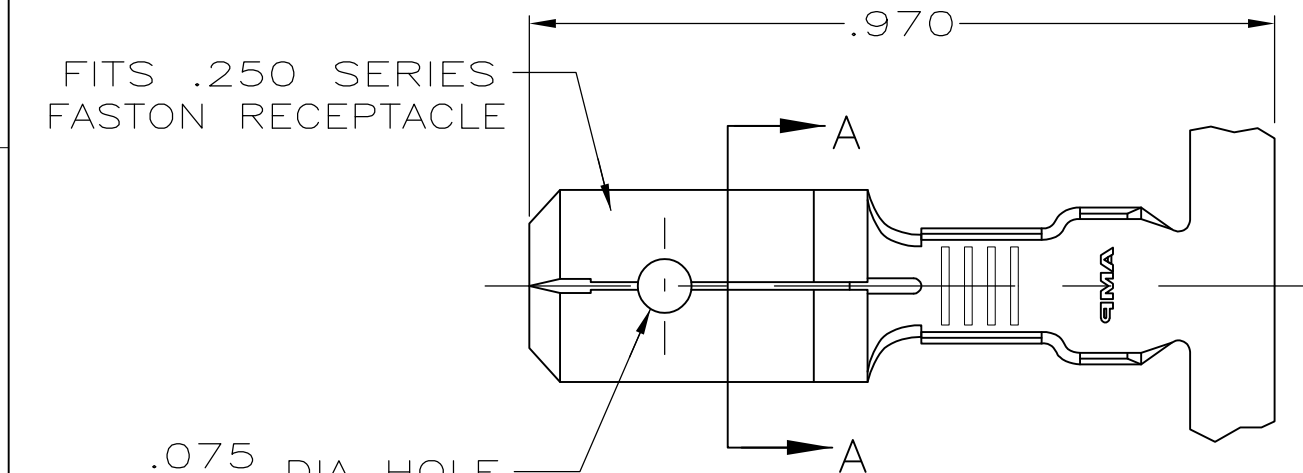
Email & Skype: info@chipsmall.com Web: www.chipsmall.com

Address: A1208, Overseas Decoration Building, #122 Zhenhua RD., Futian, Shenzhen, China



THIS DRAWING IS UNPUBLISHED. RELEASED FOR PUBLICATION  
 © COPYRIGHT - By - ALL RIGHTS RESERVED.

LOC	DIST	REVISIONS					
AF	50	P	LTR	DESCRIPTION	DATE	DWN	APVD
			U1	REVISED PER ECO-11-004820	11MAR11	RK	HMR



6	4	TIN	.110-.150 DIA	18-14 AWG	42474-7
5	5	-			42474-6
5	5	SILVER .000120 MIN			42474-5
4	4	TIN			42474-4
3	3	-			42474-3
5	5	TIN			42474-2
		FINISH	INSULATION RANGE	WIRE SIZE	PART NO
					42474-1

1. CONTINUOUS STRIP ON REELS.
2. FEED TO BE .540#.005.
- 3 REVERSED REEL OF 42474-1.
- 4 REVERSED REEL OF 42474-2.
- 5 FOREIGN PRODUCTION ONLY.
- 6 LUBRICANT APPLIED AFTER TIN PLATING.

THIS DRAWING IS A CONTROLLED DOCUMENT.

DIMENSIONS: INCHES	TOLERANCES UNLESS OTHERWISE SPECIFIED:	DWN JR RUTH 1/31/91	TE Connectivity TAB, FASTON,™ .250 SERIES
	0 PLC ± - 1 PLC ± - 2 PLC ± - 3 PLC ± .015 4 PLC ± - ANGLES ± -	CHK MS FEHER 1/31/91	
		APVD C MEYERS 1/31/91	
		PRODUCT SPEC	
MATERIAL NO 2H BRASS	FINISH SEE TABLE	APPLICATION SPEC	NAME
		WEIGHT -	SIZE A3
		CUSTOMER DRAWING	CAGE CODE 00779
			DRAWING NO C-42474
			RESTRICTED TO -
			SCALE 4:1
			SHEET 1 OF 1
			REV U1