



Chipsmall Limited consists of a professional team with an average of over 10 year of expertise in the distribution of electronic components. Based in Hongkong, we have already established firm and mutual-benefit business relationships with customers from,Europe,America and south Asia,supplying obsolete and hard-to-find components to meet their specific needs.

With the principle of "Quality Parts,Customers Priority,Honest Operation,and Considerate Service",our business mainly focus on the distribution of electronic components. Line cards we deal with include Microchip,ALPS,ROHM,Xilinx,Pulse,ON,Everlight and Freescale. Main products comprise IC,Modules,Potentiometer,IC Socket,Relay,Connector.Our parts cover such applications as commercial,industrial, and automotives areas.

We are looking forward to setting up business relationship with you and hope to provide you with the best service and solution. Let us make a better world for our industry!



Contact us

Tel: +86-755-8981 8866 Fax: +86-755-8427 6832

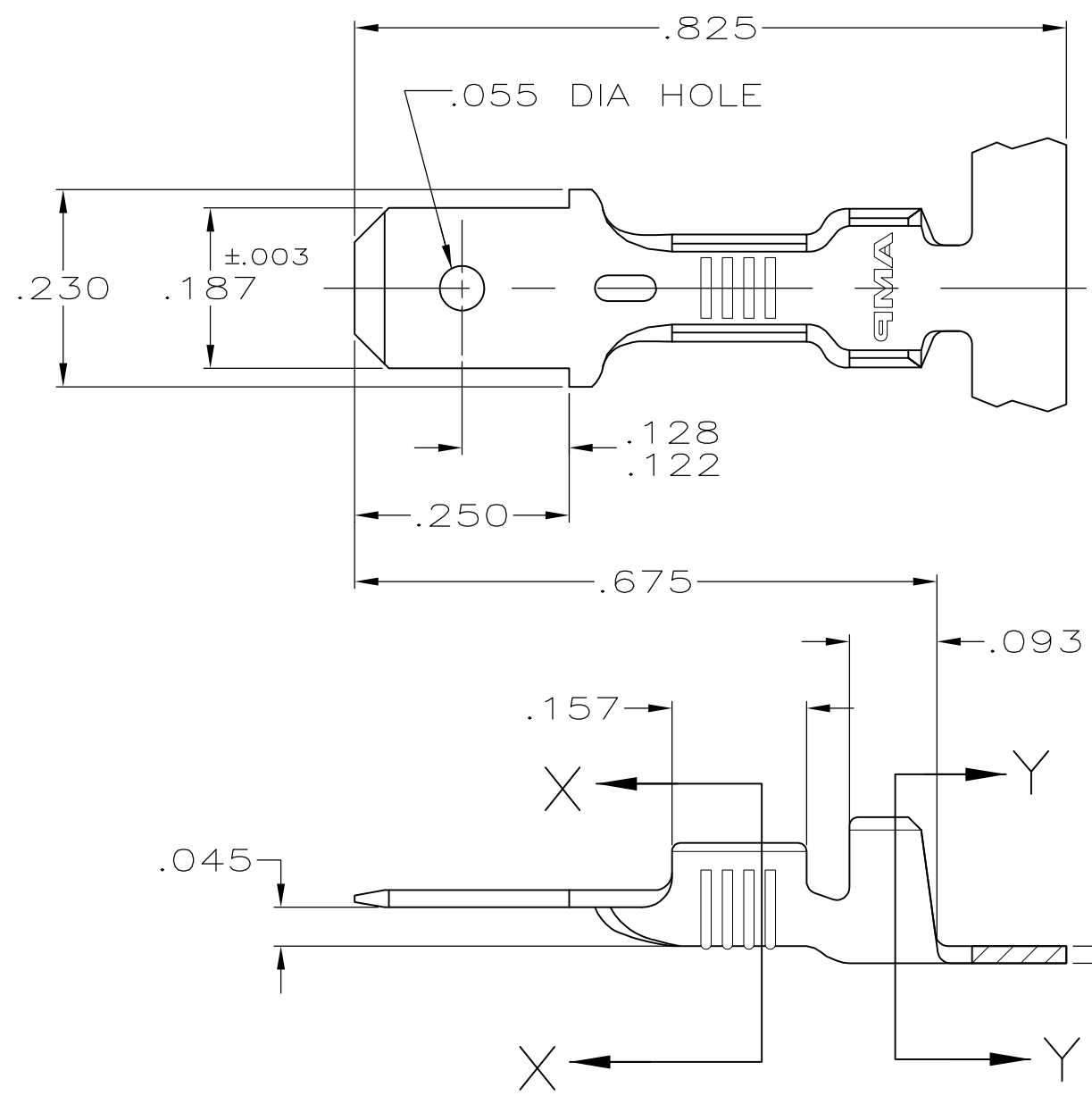
Email & Skype: info@chipsmall.com Web: www.chipsmall.com

Address: A1208, Overseas Decoration Building, #122 Zhenhua RD., Futian, Shenzhen, China

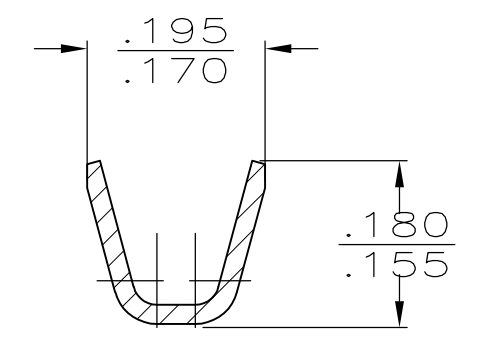
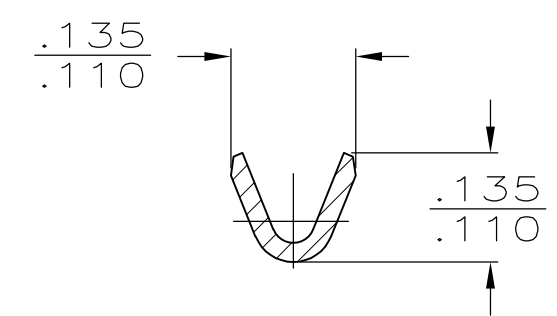


THIS DRAWING IS UNPUBLISHED. RELEASED FOR PUBLICATION
 © COPYRIGHT - By - ALL RIGHTS RESERVED.

LOC	DIST	REVISIONS			
P	LTR	DESCRIPTION	DATE	DWN	APVD
AF	50	L1	REVISED PER ECO-11-004587	11MAR11	RK HMR



1. CONTINUOUS STRIP ON REELS.
- △ 2 REVERSE REELING.
3. FEED TO BE .440±.003.
- △ 4 PRELIMINARY - NOT FOR PRODUCTION



SECTION X-X

SECTION Y-Y

FINISH / MATERIAL	INSULATION RANGE	WIRE SIZE	PART NO
.000150 MIN SILVER / BRASS	.080-.120 DIA	22-18 AWG	△ 4 42490-6 △ 2
.000150 MIN NICKEL / STEEL			△ 4 42490-5
-			△ 2 42490-4
TIN / BRASS			△ 2 42490-3
OBSOLETE			42490-2
OBSOLETE			42490-1

THIS DRAWING IS A CONTROLLED DOCUMENT.		DWN JR RUTH 1/31/91	STE TE Connectivity			
DIMENSIONS: INCHES		CHK MS FEHER 1/31/91				NAME
TOLERANCES UNLESS OTHERWISE SPECIFIED:		APVD C MEYERS 1/31/91	PRODUCT SPEC			
0 PLC ± -		APPLICATION SPEC				
1 PLC ± -		-				
2 PLC ± -		-				
3 PLC ± .015		-				
4 PLC ± -		-				
ANGLES ± -		-				
MATERIAL SEE TABLE	FINISH SEE TABLE	WEIGHT -	SIZE A3	CAGE CODE 00779	DRAWING NO C-42490	RESTRICTED TO -
CUSTOMER DRAWING			SCALE 5:1	SHEET 1 OF 1	REV L1	