



Chipsmall Limited consists of a professional team with an average of over 10 year of expertise in the distribution of electronic components. Based in Hongkong, we have already established firm and mutual-benefit business relationships with customers from,Europe,America and south Asia,supplying obsolete and hard-to-find components to meet their specific needs.

With the principle of “Quality Parts,Customers Priority,Honest Operation,and Considerate Service”,our business mainly focus on the distribution of electronic components. Line cards we deal with include Microchip,ALPS,ROHM,Xilinx,Pulse,ON,Everlight and Freescale. Main products comprise IC,Modules,Potentiometer,IC Socket,Relay,Connector.Our parts cover such applications as commercial,industrial, and automotives areas.

We are looking forward to setting up business relationship with you and hope to provide you with the best service and solution. Let us make a better world for our industry!



## Contact us

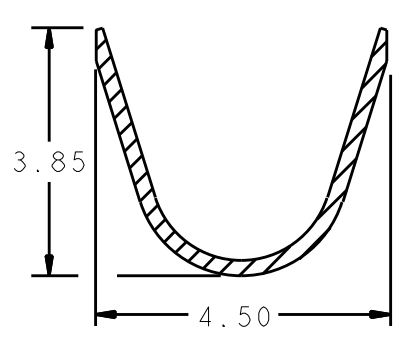
Tel: +86-755-8981 8866 Fax: +86-755-8427 6832

Email & Skype: info@chipsmall.com Web: www.chipsmall.com

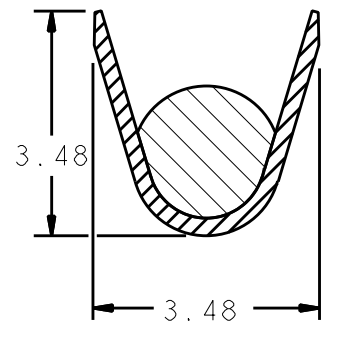
Address: A1208, Overseas Decoration Building, #122 Zhenhua RD., Futian, Shenzhen, China



DRAWING REVISIONS (RELEASE DATE ON FILE)			
REV	DOCUMENT	APP	APPROVAL DATE
J	PER C.O. # 988	V.R.	04/21/10

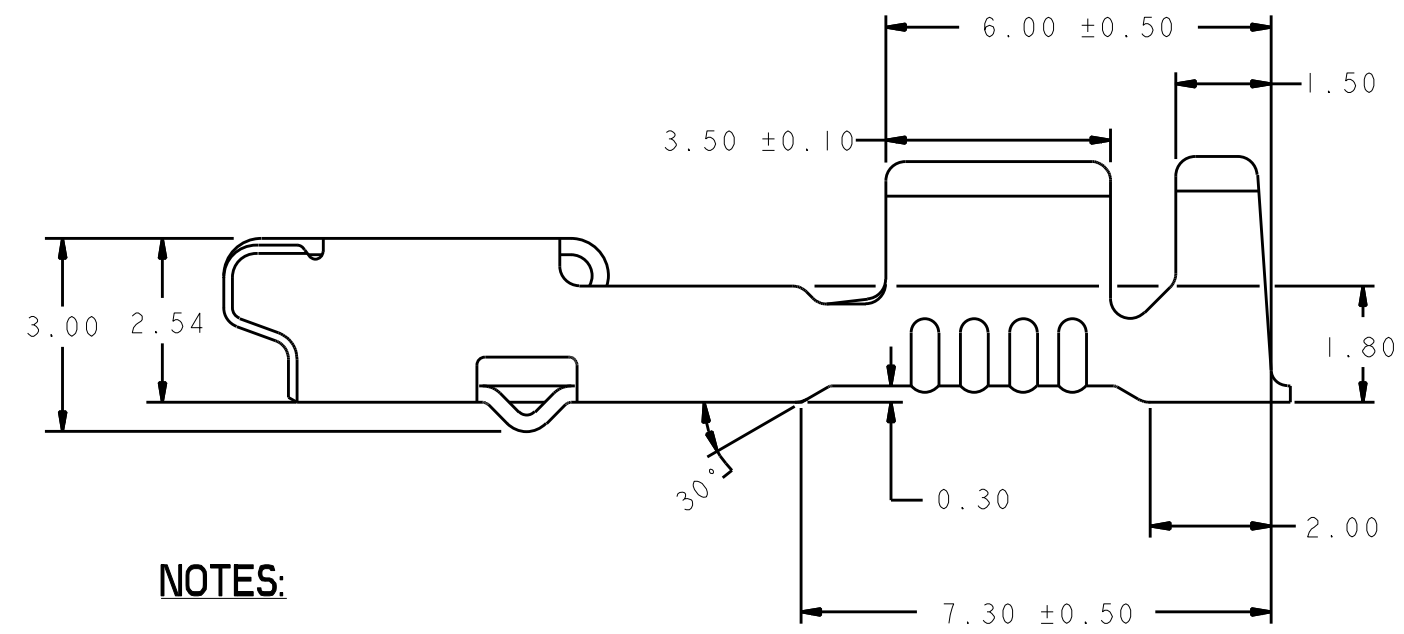
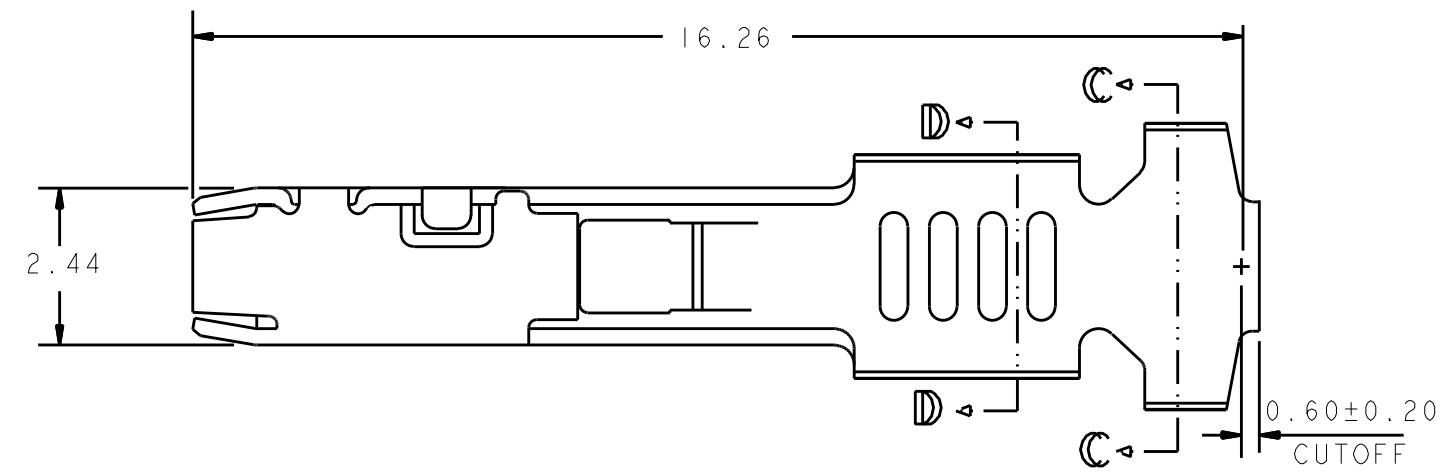
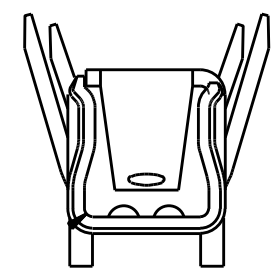


SECTION C-C



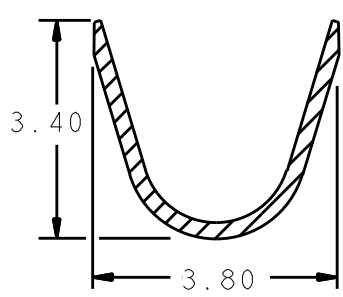
SECTION D-D

P/N 4250000873

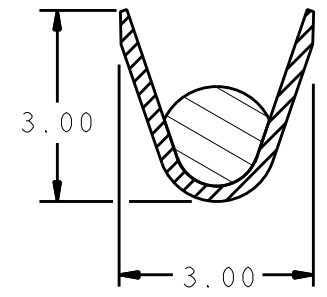


**NOTES:**

1. TERMINAL MATERIAL: HIGH PERFORMANCE COPPER BASED ALLOY.
2. TERMINAL PRE-PLATED 1.0 MIN MICRON THICKNESS 100% TIN (Sn) OVERALL.
3. TERMINALS SUPPLIED 3,500 EA. PER REEL.
4. TOLERANCES UNLESS OTHERWISE NOTED:  
X.X ± 0.5  
X.XX ± 0.30
5. ALL DIMENSIONS IN MM UNLESS OTHERWISE SPECIFIED.



SECTION C-C

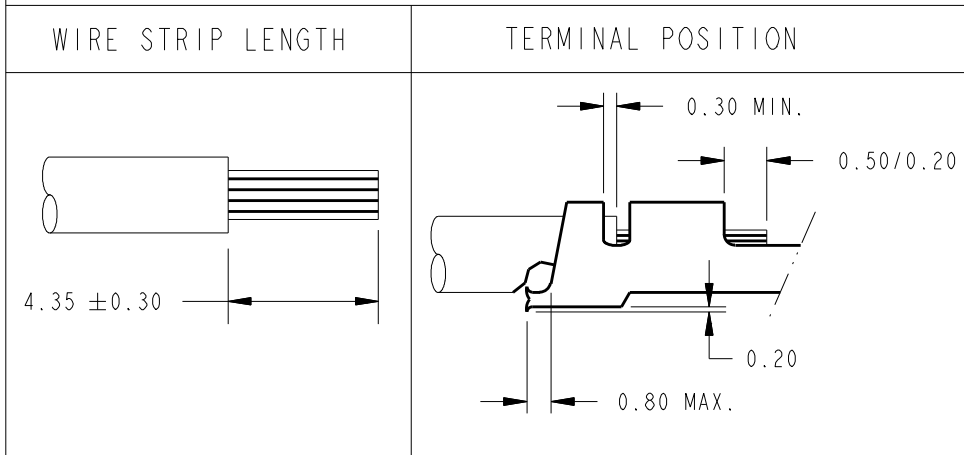


SECTION D-D

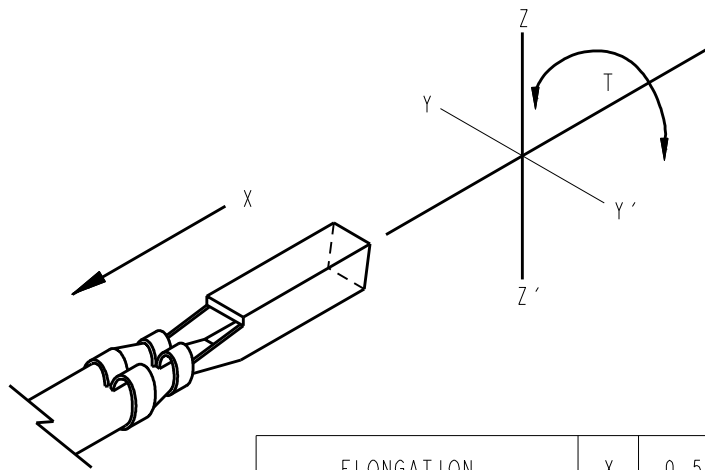
P/N 4250000872

UNITS		DESIGN ENGINEER		DATE		TITLE		MODELED BY: NAME	
METRIC		R. BYCZEK		12/21/99		FEMALE TERMINAL BIR 16/20 AWG UNIVERSAL		1700 FINLEY RD LOMBARD, IL 60148	
DO NOT SCALE DRAWING		TOLERANCES		MATERIAL		CONTROL SPEC NUMBER			
UNLESS OTHERWISE SPECIFIED: ALL DIMENSIONS ARE IN mm		X ± 0.3 XX ± 0.13 XXX ± 0.025 ANGULAR ± 0.5		SEE NOTES		-			
FILLET/RADIUS 0.50 MAX.		CONFIDENTIAL		MATERIAL SPEC NUMBER		PROJECT NUMBER			
		THIS DOCUMENT IS THE PROPERTY OF CINCH. NEITHER THIS DOCUMENT NOR ANY OF THE INFORMATION CONTAINED IN IT MAY BE DUPLICATED OR DISCLOSED WITHOUT PRIOR WRITTEN CONSENT OF CINCH. ©COPYRIGHT 2010 CINCH		-		SEE NOTES		A14243	
		APPROVALS ON FILE		CAD FILE NUMBER		DRAWING NUMBER			
				4250000872S		4250000872S			
				CAGE IDENT NO.		SCALE		SHEET 1 OF 2	
				71785		1:1			

# STRIP AND CRIMP SPECIFICATIONS



## DIMENSIONS AFTER CRIMPING

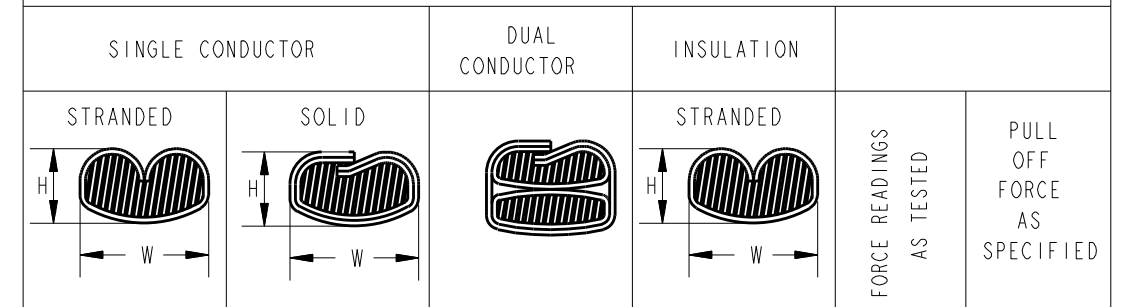


ELONGATION	X	0.50 MAX.
DEFORMATION	Y	3° MAX.
DEFORMATION	Y'	3° MAX.
FLEX	Z	2° MAX.
FLEX	Z'	3° MAX.
TORSION	T	3° MAX.

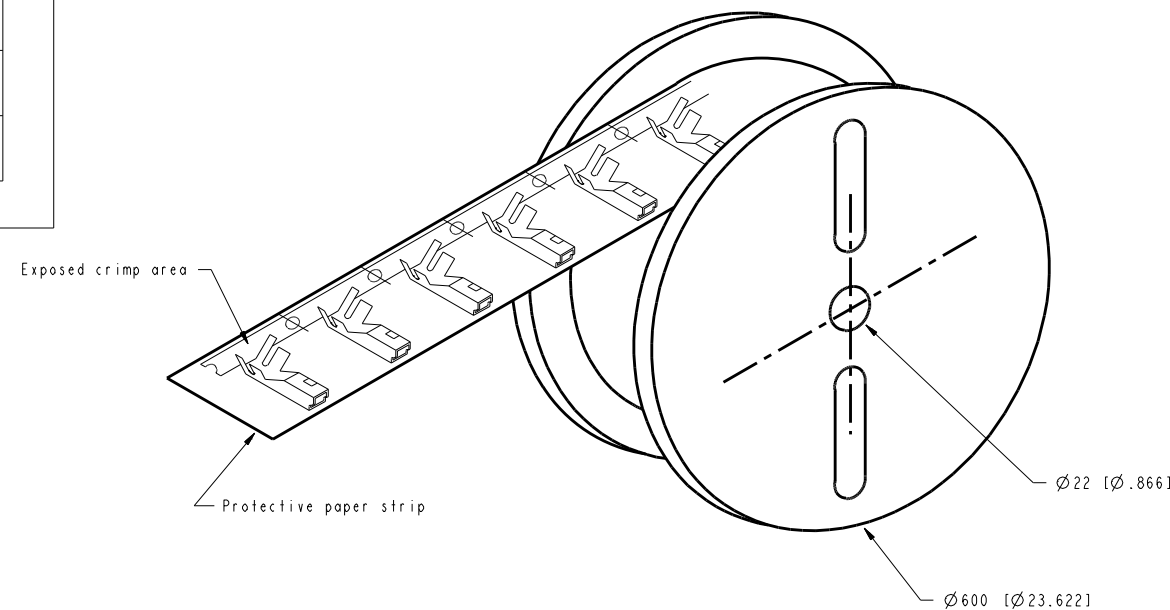
### NOTES:

- ALL DIMENSIONS IN MILLIMETERS, EXCEPT WHEN SHOWN IN PARENTHESES "( )", DIMS ARE IN INCHES.
- ALL FORCES: POUNDS
- CONTACT PART NUMBER: 4250000872/873
- NO WARRANTY OR GUARANTEE EXPRESSED OR IMPLIED IS MADE REGARDING THE INFORMATION PRESENTED HEREIN. IT IS, HOWEVER, TRUE AND ACCURATE TO THE BEST OF OUR KNOWLEDGE.
- PRODUCT NOT RATED FOR 14 AWG AMPERAGE (10+ AMPS), HOWEVER CAN BE USED FOR VOLTAGE DROP ONLY.

## CRIMP DIMENSIONS



WIRE						CRIMP DIMENSIONS										
WIRE TYPE			INSULATION			TERMINAL PART NUMBER	SINGLE CONDUCTOR		DUAL CONDUCTOR		INSULATION		FORCE READINGS AS TESTED		PULL OFF FORCE AS SPECIFIED	
mm <sup>2</sup>	AWG	NUMBER OF STRANDS	TYPE	MAX. DIA.	MIN. DIA.		H	W	H	W	H	W	AVG.	MIN.		MIN.
.5	20	7	GXL	2.11 (.083)	2.03 (.080)	425 00 00 872	1.10	2.04			2.50	2.58	37	36	14.8	
.5	20	19	GXL	2.34 (.092)	2.18 (.086)	425 00 00 872	1.10	2.04			2.40	2.55				
.8	18	19	TXL	2.12 (.083)	1.96 (.077)	425 00 00 872	1.20	2.05			2.45	2.55				
.8	18	19	GXL	2.42 (.095)	2.26 (.089)	425 00 00 873	1.20	2.23			2.55	2.82	49	47	19.8	
.8	18	16	TXL	2.12 (.083)	1.96 (.077)	425 00 00 872	1.18	2.05			2.35	2.50				
.8	18	16	GXL	2.42 (.095)	2.26 (.089)	425 00 00 873	1.18	2.23			2.45	2.80	43	37	19.8	
1.0	16	19	TXL	2.25 (.089)	2.09 (.082)	425 00 00 873	1.30	2.26			2.55	2.88				
1.0	16	19	GXL	2.64 (.104)	2.48 (.098)	425 00 00 873	1.30	2.26			2.58	2.88	62	58	27.0	
⑤ 2.0	14	19	TXL	2.66 (.105)	2.50 (.098)	425 00 00 873	1.58	2.29			2.60	2.94			62	



UNITS	<b>METRIC</b>	<b>CINCH</b>	1700 FINLEY RD LOMBARD, IL. 60148
DO NOT SCALE DRAWING		TITLE	
UNLESS OTHERWISE SPECIFIED: ALL DIMENSIONS ARE IN mm		FEMALE TERMINAL BIR 16/20 AWG UNIVERSAL	
FILLET/RADI 0.50 MAX.	TOLERANCES X ± 0.3 XX ± 0.13 XXX ± 0.025 ANGULAR ± 0.5°	<b>PRO/E DRAWING</b>	
CONFIDENTIAL THIS DOCUMENT IS THE PROPERTY OF CINCH. NEITHER THIS DOCUMENT NOR ANY OF THE INFORMATION CONTAINED IN IT MAY BE DUPLICATED OR DISCLOSED WITHOUT PRIOR WRITTEN CONSENT OF CINCH. ©COPYRIGHT 2010 CINCH		CAD FILE NUMBER 4250000872S	DRAWING NUMBER 4250000872S
CAGE IDENT NO. 71785	SIZE B	SCALE 1:250	REV J
		SHEET 2 OF 2	