



Chipsmall Limited consists of a professional team with an average of over 10 year of expertise in the distribution of electronic components. Based in Hongkong, we have already established firm and mutual-benefit business relationships with customers from,Europe,America and south Asia,supplying obsolete and hard-to-find components to meet their specific needs.

With the principle of “Quality Parts,Customers Priority,Honest Operation,and Considerate Service”,our business mainly focus on the distribution of electronic components. Line cards we deal with include Microchip,ALPS,ROHM,Xilinx,Pulse,ON,Everlight and Freescale. Main products comprise IC,Modules,Potentiometer,IC Socket,Relay,Connector.Our parts cover such applications as commercial,industrial, and automotives areas.

We are looking forward to setting up business relationship with you and hope to provide you with the best service and solution. Let us make a better world for our industry!



Contact us

Tel: +86-755-8981 8866 Fax: +86-755-8427 6832

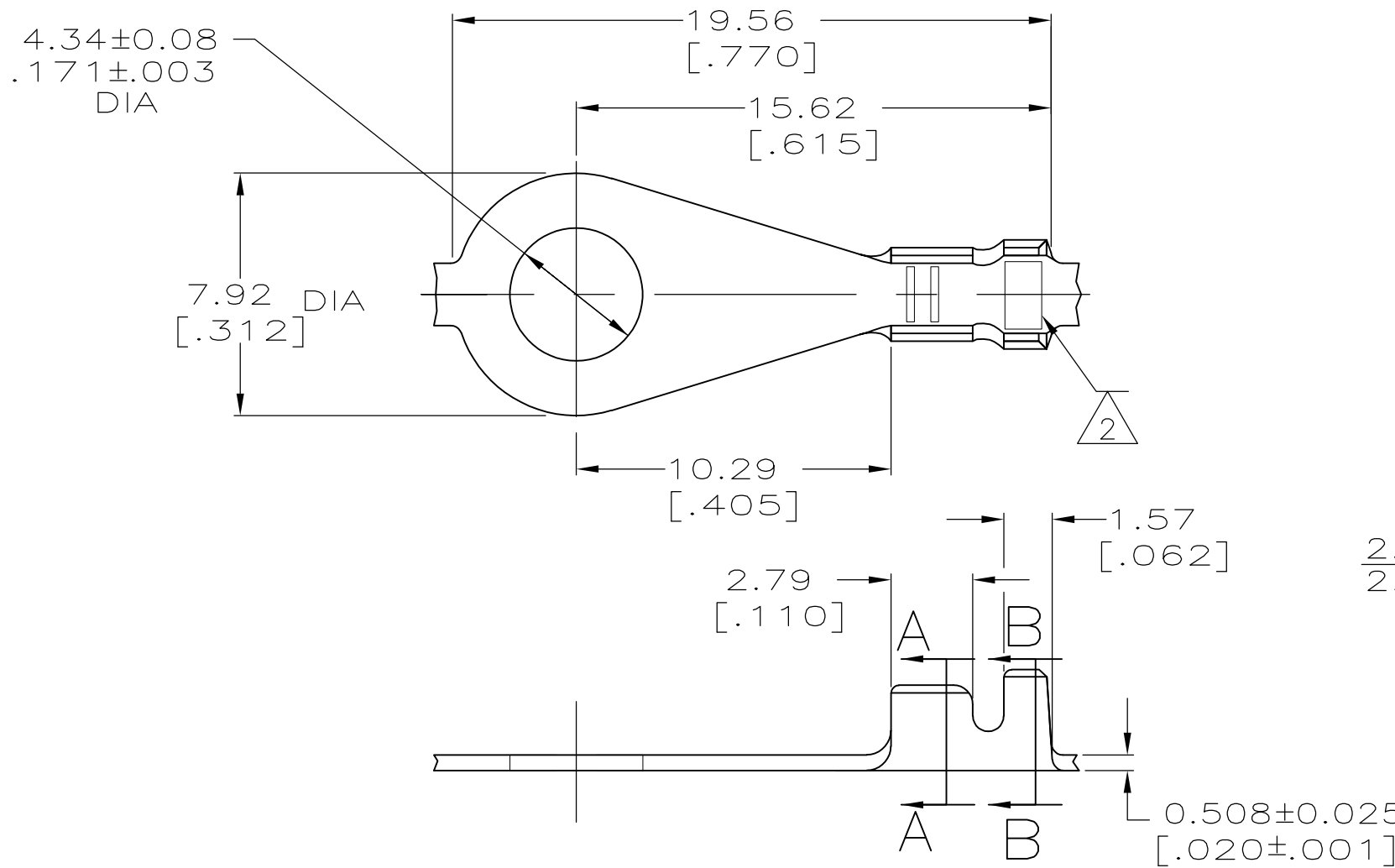
Email & Skype: info@chipsmall.com Web: www.chipsmall.com

Address: A1208, Overseas Decoration Building, #122 Zhenhua RD., Futian, Shenzhen, China

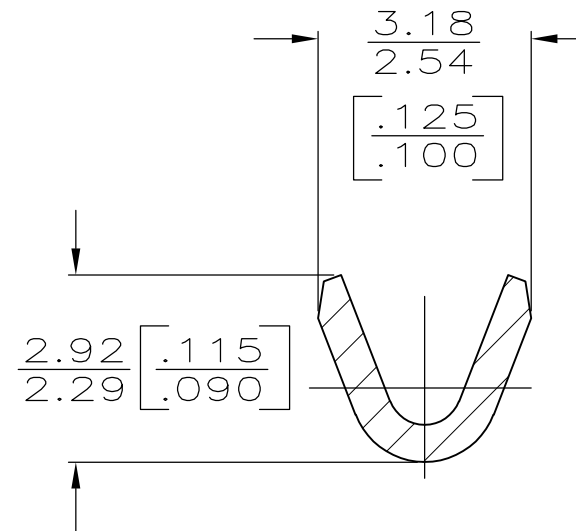


THIS DRAWING IS UNPUBLISHED. RELEASED FOR PUBLICATION
 © COPYRIGHT BY TYCO ELECTRONICS CORPORATION. ALL INTERNATIONAL RIGHTS RESERVED.

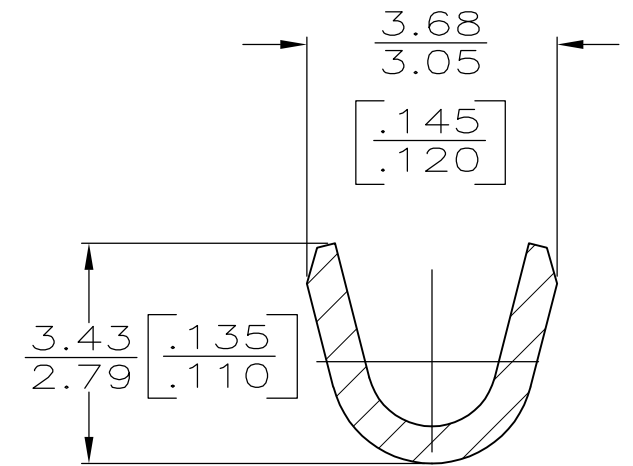
LOC AF	DIST 50	REVISIONS			
P	LTR	DESCRIPTION	DATE	DWN	APVD
	H	REVISED PER ECR-08-007819	19NOV08	HMR	DD



- 1 CONTINUOUS STRIP ON REEL.
- 2 STAMPING: AMP FOR 42508-2
AMP* FOR 42508-3



SECTION A-A
SCALE 10:1



SECTION B-B
SCALE 10:1

METRIC

H02 PHOS BRZ	1.22-1.98 DIA	0.2 - 0.6mm ²	42508-3
#2 HD BRASS	[.048-.078]	[24-20] AWG	42508-2
MATERIAL	INSULATION RANGE	WIRE RANGE	PART NO

0	2.29 [.090]	4.32 [.170]	F	2.03 [.080]	1.40[.055]	0.6mm ² [20]
					1.35[.053]	0.3mm ² [22]
					1.27[.050]	0.2mm ² [24]
TYPE	WIDTH	STRIP LENGTH ±0.38 [±.015]	TYPE	WIDTH	±0.051[±.002] HEIGHT	WIRE
INSUL BARREL CRIMP			WIRE BARREL CRIMP			

THIS DRAWING IS A CONTROLLED DOCUMENT.

DIMENSIONS: mm [INCHES]

TOLERANCES UNLESS OTHERWISE SPECIFIED:

0 PLC	± -
1 PLC	± -
2 PLC	± 0.25 [.010]
3 PLC	± -
4 PLC	± -
ANGLES	± -

MATERIAL: SEE TABLE

TIN PLATING

DWN: P FORTNEY 5/13/91

CHK: JR RUTH 5/13/91

APVD: G YETTER 5/13/91

PRODUCT SPEC: RING

APPLICATION SPEC: -

WEIGHT: -

CUSTOMER DRAWING

SIZE: A3

CAGE CODE: 00779

DRAWING NO: C-42508

RESTRICTED TO: -

SCALE: 5:1

SHEET: 1 OF 1

REV: H

Tyco Electronics
Tyco Electronics Corporation
Harrisburg, PA 17105-3608