



Chipsmall Limited consists of a professional team with an average of over 10 year of expertise in the distribution of electronic components. Based in Hongkong, we have already established firm and mutual-benefit business relationships with customers from,Europe,America and south Asia,supplying obsolete and hard-to-find components to meet their specific needs.

With the principle of “Quality Parts,Customers Priority,Honest Operation,and Considerate Service”,our business mainly focus on the distribution of electronic components. Line cards we deal with include Microchip,ALPS,ROHM,Xilinx,Pulse,ON,Everlight and Freescale. Main products comprise IC,Modules,Potentiometer,IC Socket,Relay,Connector.Our parts cover such applications as commercial,industrial, and automotives areas.

We are looking forward to setting up business relationship with you and hope to provide you with the best service and solution. Let us make a better world for our industry!



## Contact us

Tel: +86-755-8981 8866 Fax: +86-755-8427 6832

Email & Skype: info@chipsmall.com Web: www.chipsmall.com

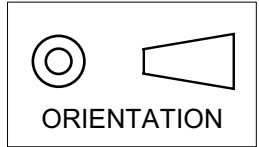
Address: A1208, Overseas Decoration Building, #122 Zhenhua RD., Futian, Shenzhen, China



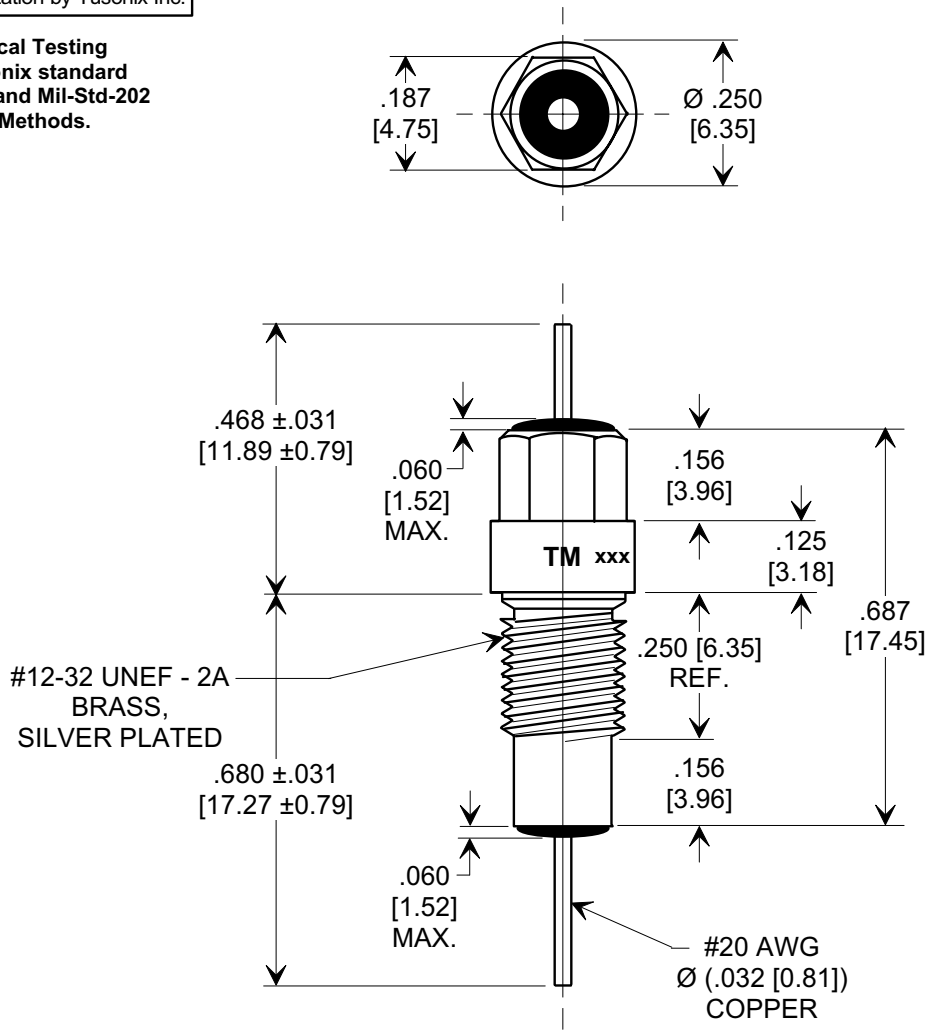
**MARKETING SALES DRAWING**

**DIMENSIONS IN INCHES - DO NOT SCALE THIS DRAWING**  
**DIMENSIONS IN METRIC - [ ]**

This drawing is the property of Tusonix, Inc., and may not be used, reproduced, published or disclosed to others without expressed authorization by Tusonix Inc.



**Electrical Testing**  
**per Tusonix standard**  
**test plans and Mil-Std-202**  
**Test Methods.**



**NOTES:**

1. TUSONIX STANDARD PART NUMBER: 4253-002.  
 TUSONIX RoHS COMPLIANT PART NUMBER: 4253-002 LF.  
 CUSTOMER MUST SPECIFY STANDARD OR RoHS PART NUMBER WHEN ORDERING.
2. LEAD FINISH: SILVER PLATED.
3. PART MARKING: TRADEMARK AND VARIATION NUMBER ON HEX FLATS.  
 STANDARD PART: BLACK INK. RoHS PART: GREEN INK.
4. SUPPLIED WITH SILVER PLATED COPPER ALLOY HEX NUT AND INTERNAL TOOTH LOCK WASHER.

| MIN. CAP.(pf) | +125 °C WORKING VOLTAGE | CURRENT DC | I.R. MIN. @ 100 (VDC) | DWV (VDC) | MINIMUM NO LOAD INSERTION LOSS (dB) AT 25°C PER MIL-STD-220 |        |         |      |        |
|---------------|-------------------------|------------|-----------------------|-----------|---|--------|---------|------|--------|
|               |                         |            |                       |           | 1 MHz   | 10 MHz | 100 MHz | 1GHz | 10 GHz |
| 50,000        | 70 VDC                  | 10A        | 10 G Ω                | 175       | 15  | 60     | 75      | 75   | 75     |

|   |                        |                  |                                   |  |  |   |              |
|---|------------------------|------------------|-----------------------------------|--|--|---|--------------|
| X-2015 Rev-0  | <b>REVISION RECORD</b> |                  | <b>TUSONIX</b><br>TUCSON, ARIZONA | --TOLERANCES--<br>Unless Otherwise Specified |  | Title<br><b>MULTILAYER BUSHING STYLE EMI FILTER</b> |              |
|   | 0                      | Original Release |                                   | DECIMAL ± .015 [0.38]                        |  |   |              |
|   | 1                      | 20050927-10-05   |                                   | ANGLES ±                                     |  | Drawn<br>S.M. 12-18-01                              | Scale<br>3 X |
|   | 2                      | 20060315-5-01    |                                   | Approved<br>B.Mc. 12-18-01                   |  | <b>A</b> <b>4253-002</b>                            |              |
| CORRECTED P/N NOTE 1.<br>ADDED IR & DWV/S.M. 03-16-06 |                        |                  |                                   |  |  |   |              |