



Chipsmall Limited consists of a professional team with an average of over 10 year of expertise in the distribution of electronic components. Based in Hongkong, we have already established firm and mutual-benefit business relationships with customers from,Europe,America and south Asia,supplying obsolete and hard-to-find components to meet their specific needs.

With the principle of "Quality Parts,Customers Priority,Honest Operation,and Considerate Service",our business mainly focus on the distribution of electronic components. Line cards we deal with include Microchip,ALPS,ROHM,Xilinx,Pulse,ON,Everlight and Freescale. Main products comprise IC,Modules,Potentiometer,IC Socket,Relay,Connector.Our parts cover such applications as commercial,industrial, and automotives areas.

We are looking forward to setting up business relationship with you and hope to provide you with the best service and solution. Let us make a better world for our industry!



## Contact us

Tel: +86-755-8981 8866 Fax: +86-755-8427 6832

Email & Skype: info@chipsmall.com Web: www.chipsmall.com

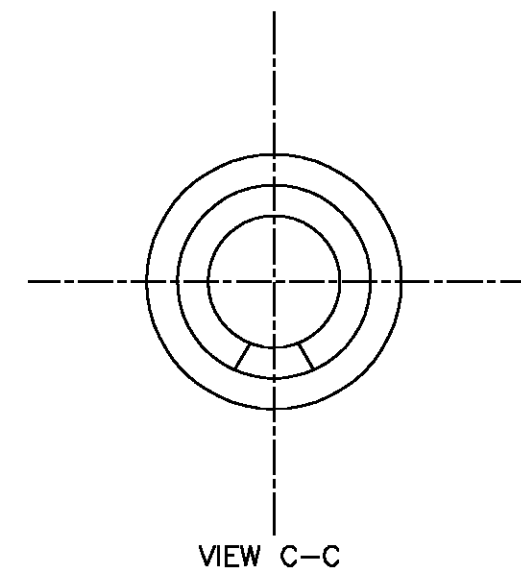
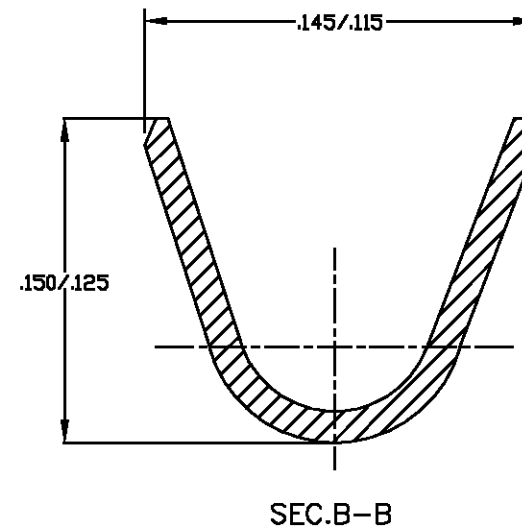
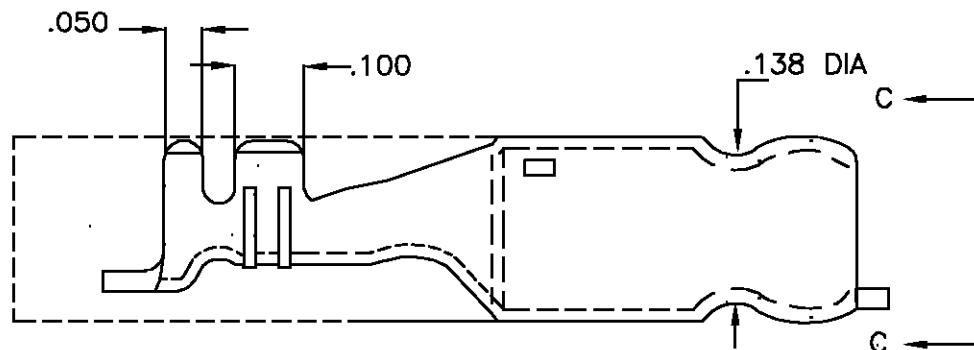
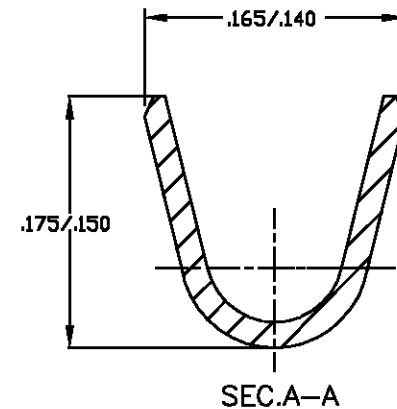
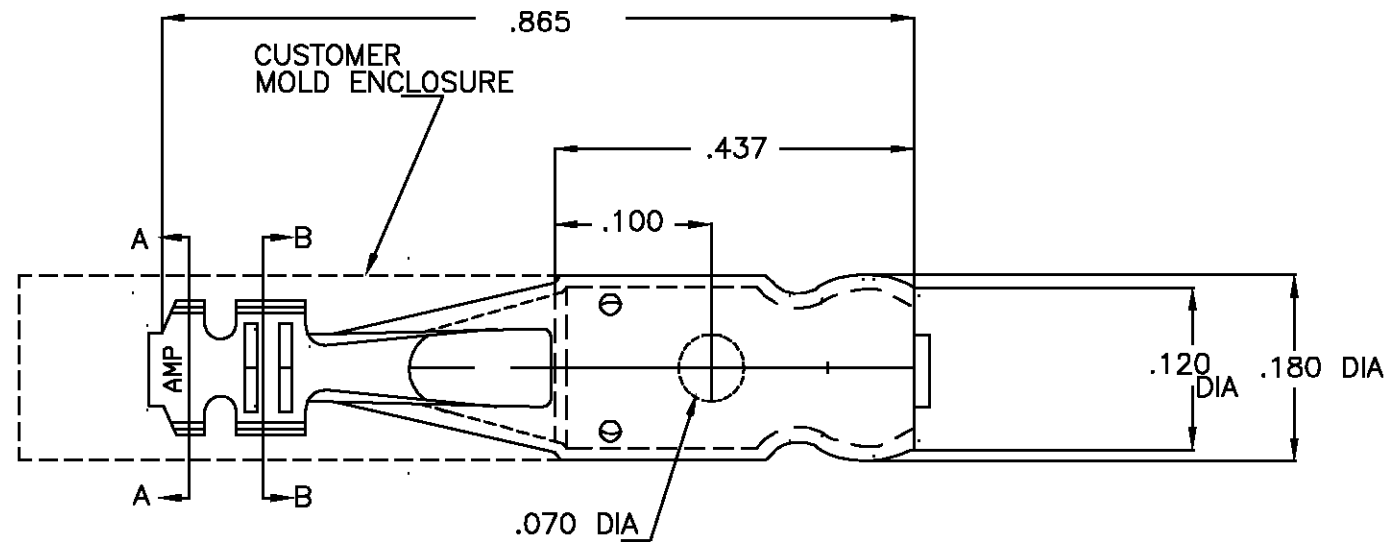
Address: A1208, Overseas Decoration Building, #122 Zhenhua RD., Futian, Shenzhen, China



LOC AF DIST 50

REVISIONS

P	LTR	DESCRIPTION	DATE FECHA	DWN DIBUJO	APVD APROBO
	AC	REVISED PER DG3A-0609-02	11OCT2002	MF	DD
-	-	-	-	-	-



PART NUMBER	MATERIAL FINISH	REMARKS
42530-1	.018 BRASS-NONE	REVERSE REEL OF 60597-2
42530-2	.018 BRASS-TIN	STD REEL
<del>42530-3</del>	<del>.018 BRASS-TIN/NI</del>	<del>REVERSE REEL OF 60597-4</del>

OBSOLETE.

THIS DRAWING IS A CONTROLLED DOCUMENT FOR AMP INCORPORATED. IT IS SUBJECT TO CHANGE AND THE CONTROLLING ENGINEERING ORGANIZATION SHOULD BE CONTACTED FOR THE LATEST REVISION. ESTE PLANO ES UN DOCUMENTO CONTROLADO POR AMP INCORPORATED. ESTA SUJETO A CAMBIOS Y HAY QUE CONTACTAR AL DEPT. DE INGENIERIA POR LA ULTIMA REVISION.		DWN/DIBUJO <b>EDUARDO VILLAR</b>		AMP de Mexico S.A. Tlalnepantla, Mexico.	
DIMENSIONS: MEDIDAS, INCHES		CHK/CONTROL <b>MAURICIO ALVARADO</b>			
		TOLERANCES UNLESS OTHERWISE SPECIFIED: TOLERANCIAS SALVO OTRA INDICACION.		APVD/APROBO <b>MANUEL CHAIRES</b>	
		0 PLC/LUG ± 1 PLC/LUG ± 2 PLC/LUG ± ±.013 3 PLC/LUG ± 4 PLC/LUG ± ANGLES/ANGULOS ± 1°0'		PRODUCT SPEC ESPEC. DE PRODUCTO	
MATERIAL SEE TABLE		FINISH ACABADO		APPLICATION SPEC ESPEC. DE APLICACION	
		WEIGHT PESO		SIZE TAMAÑO <b>A3</b>	CAGE CODE CODIGO DE CELDA <b>00779</b>
				DRAWING NO PLANO NO <b>42530</b>	SCALE ESCALA s/e
				SHEET HOJA 1	OF 1 DE 1
				REV AC	