



Chipsmall Limited consists of a professional team with an average of over 10 year of expertise in the distribution of electronic components. Based in Hongkong, we have already established firm and mutual-benefit business relationships with customers from,Europe,America and south Asia,supplying obsolete and hard-to-find components to meet their specific needs.

With the principle of “Quality Parts,Customers Priority,Honest Operation,and Considerate Service”,our business mainly focus on the distribution of electronic components. Line cards we deal with include Microchip,ALPS,ROHM,Xilinx,Pulse,ON,Everlight and Freescale. Main products comprise IC,Modules,Potentiometer,IC Socket,Relay,Connector.Our parts cover such applications as commercial,industrial, and automotives areas.

We are looking forward to setting up business relationship with you and hope to provide you with the best service and solution. Let us make a better world for our industry!



## Contact us

Tel: +86-755-8981 8866 Fax: +86-755-8427 6832

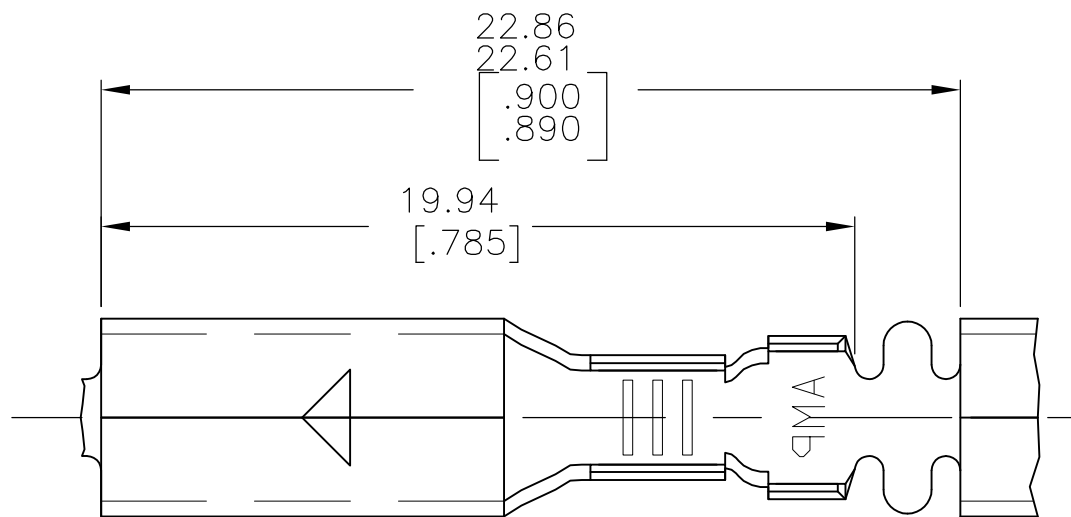
Email & Skype: info@chipsmall.com Web: www.chipsmall.com

Address: A1208, Overseas Decoration Building, #122 Zhenhua RD., Futian, Shenzhen, China

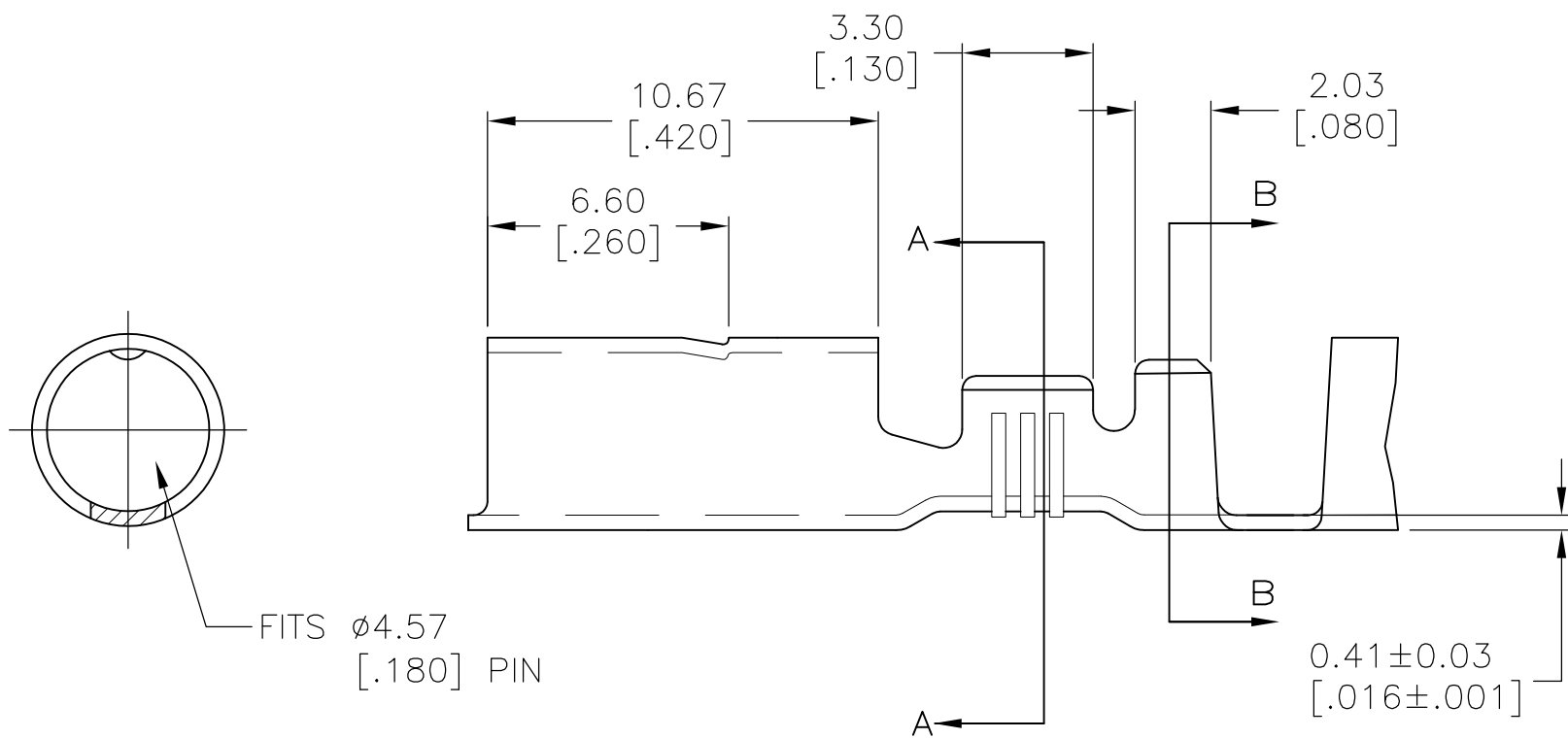
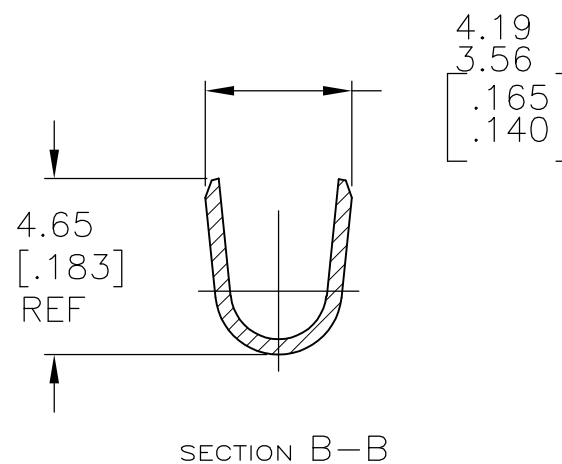
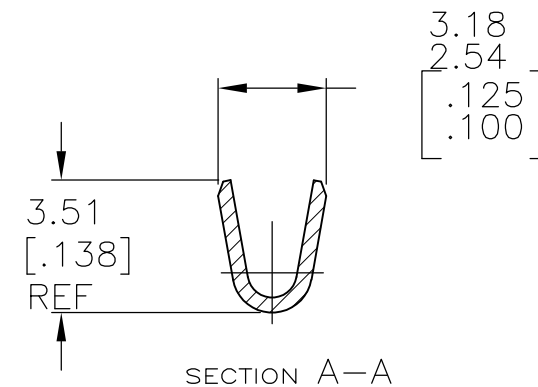


THIS DRAWING IS UNPUBLISHED. RELEASED FOR PUBLICATION  
 © COPYRIGHT BY TYCO ELECTRONICS CORPORATION. ALL RIGHTS RESERVED.

LOC	DIST	REVISIONS			
P	LTR	DESCRIPTION	DATE	DWN	APVD
AF	50	U1	ECR-07-026634 (REDRAWN IN AUTOCAD)	30OCT07	HMR DD



- 1 CONTINUOUS STRIP ON REELS.
- 2 WIRE RANGE: 20-16 AWG
- 3 INSULATION RANGE: 2.29-3.05 [.090-.120] DIA.



OBSOLETE	NONE	HO4 PHOS. BRONZE	42531-5
OBSOLETE	NONE	HO4 CU BRONZE	42531-4
	NONE	HO4 PHOS. BRONZE	42531-3
	TIN	4M BRASS	42531-2
	NONE	4M BRASS	42531-1
	FINISH	MATERIAL	PART NO

THIS DRAWING IS A CONTROLLED DOCUMENT.		DWN RAGHAVENDRA 30OCT2007	Tyco Electronics Corporation Harrisburg, PA 17105-3608	
DIMENSIONS: mm [INCHES]	TOLERANCES UNLESS OTHERWISE SPECIFIED:	CHK D DECKER 30OCT2007	NAME	
	0 PLC ± -	APVD D DECKER 30OCT2007	RECEPTACLE SHUR PLUG, 4.57 [.180] DIA	
	1 PLC ± -	PRODUCT SPEC	SIZE	CAGE CODE
	2 PLC ± 0.38 [.015]	APPLICATION SPEC	A3	00779
	3 PLC ± -	WEIGHT	DRAWING NO	
	4 PLC ± -		C-42531	
	ANGLES ± 1°		RESTRICTED TO	
MATERIAL SEE TABLE	FINISH SEE TABLE	CUSTOMER DRAWING	SCALE 5:1	SHEET 1 OF 1
			REV U1	