



Chipsmall Limited consists of a professional team with an average of over 10 year of expertise in the distribution of electronic components. Based in Hongkong, we have already established firm and mutual-benefit business relationships with customers from,Europe,America and south Asia,supplying obsolete and hard-to-find components to meet their specific needs.

With the principle of "Quality Parts,Customers Priority,Honest Operation,and Considerate Service",our business mainly focus on the distribution of electronic components. Line cards we deal with include Microchip,ALPS,ROHM,Xilinx,Pulse,ON,Everlight and Freescale. Main products comprise IC,Modules,Potentiometer,IC Socket,Relay,Connector.Our parts cover such applications as commercial,industrial, and automotives areas.

We are looking forward to setting up business relationship with you and hope to provide you with the best service and solution. Let us make a better world for our industry!



Contact us

Tel: +86-755-8981 8866 Fax: +86-755-8427 6832

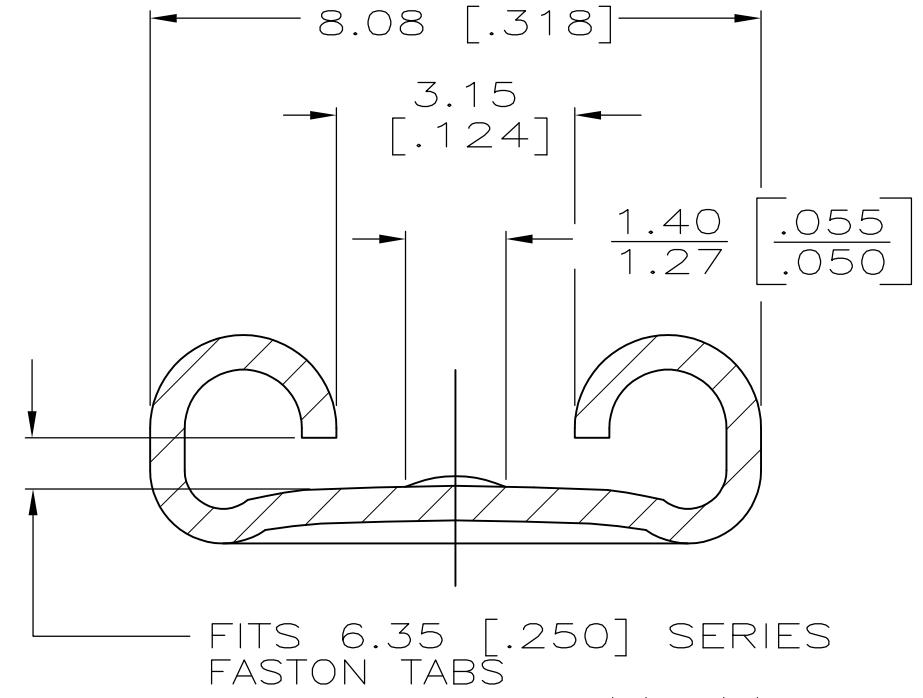
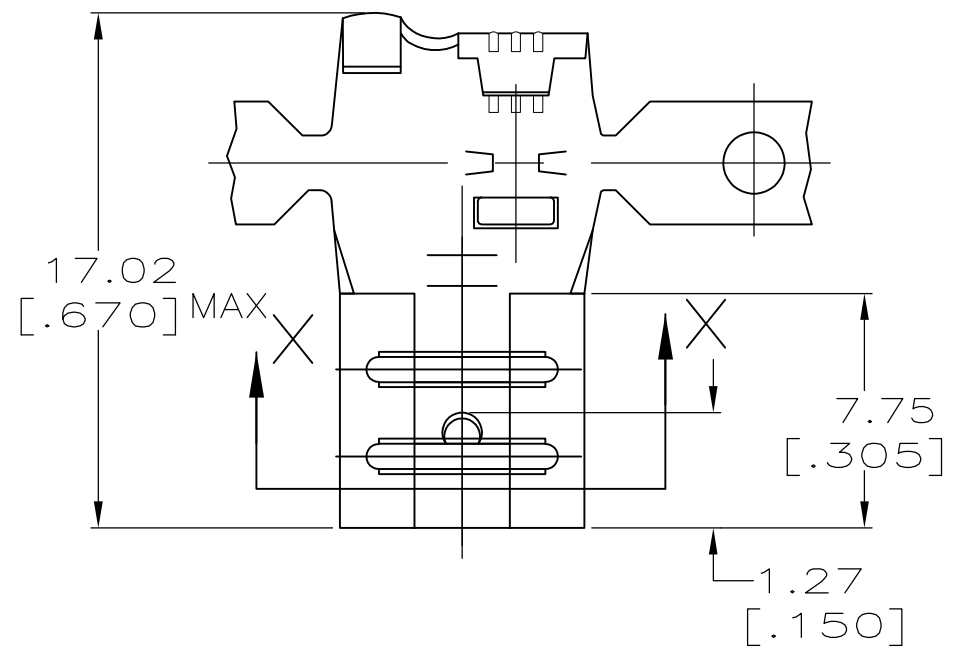
Email & Skype: info@chipsmall.com Web: www.chipsmall.com

Address: A1208, Overseas Decoration Building, #122 Zhenhua RD., Futian, Shenzhen, China



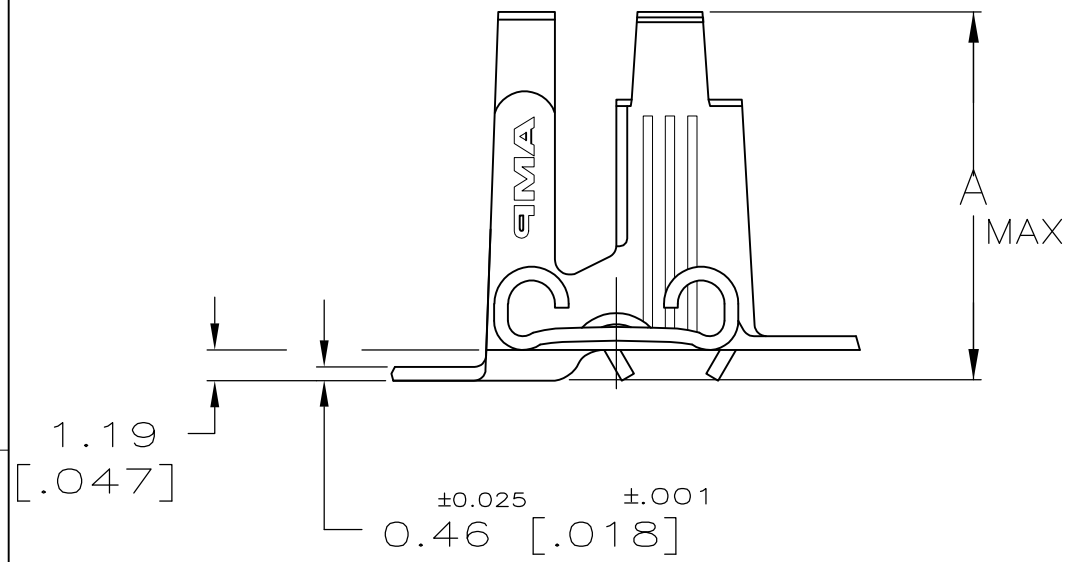
THIS DRAWING IS UNPUBLISHED. RELEASED FOR PUBLICATION
 © COPYRIGHT - By - ALL RIGHTS RESERVED.

LOC	DIST	REVISIONS					
AF	50	P	LTR	DESCRIPTION	DATE	DWN	APVD
			AD	REVISED PER ECR-11-018063	21DEC11	KH	PD



- 1 CONTINUOUS STRIP ON REELS.
- 2 FOREIGN PRODUCTION ONLY
- 3 SILVER PL 0.00381 [.000150] MIN
- 5 NICKEL PL 0.00381 [.000150] MIN

SECTION X-X
 SCALE 10:1



12.19 [.480]		3.0-5.0mm ² [12-10] AWG 6000-10600 CMA		NICKEL 5	T2 STEEL	42563-9
				TIN	T3 PHOS BRZ	42563-8
				SILVER 3	T3 PHOS BRZ	42563-6
				SILVER 3	T3 PHOS BRZ	42563-7
				TIN	T3 PHOS BRZ	42563-5
				-	T3 PHOS BRZ	42563-4
				SILVER 3	#4H BRASS	42563-3
				TIN	#4H BRASS	42563-2
				-	#4H BRASS	42563-1
DIM A	INSULATION RANGE	WIRE RANGE	MATING TAB THK ±0.025 [.001]	FINISH	MATERIAL	PART NO

THIS DRAWING IS A CONTROLLED DOCUMENT.

DIMENSIONS: INCHES	TOLERANCES UNLESS OTHERWISE SPECIFIED:	DWN JR RUTH 2/14/91	TE Connectivity 0.813 [.032] RECEPTACLE, FASTON, FLAG, 6.35 [.250] SERIES
	0 PLC ± - 1 PLC ± - 2 PLC ± 0.38 [.015] 3 PLC ± - 4 PLC ± - ANGLES ± -	CHK P FORTNEY 2/14/91	
		APVD C MEYERS 2/14/91	
		PRODUCT SPEC 2/14/91	
MATERIAL SEE TABLE	FINISH SEE TABLE	D REINER APPLICATION SPEC WEIGHT -	NAME SIZE CAGE CODE DRAWING NO RESTRICTED TO A3 00779 C-42563 -

CUSTOMER DRAWING SCALE 4:1 SHEET 1 OF 1 REV AD