



Chipsmall Limited consists of a professional team with an average of over 10 year of expertise in the distribution of electronic components. Based in Hongkong, we have already established firm and mutual-benefit business relationships with customers from,Europe,America and south Asia,supplying obsolete and hard-to-find components to meet their specific needs.

With the principle of “Quality Parts,Customers Priority,Honest Operation,and Considerate Service”,our business mainly focus on the distribution of electronic components. Line cards we deal with include Microchip,ALPS,ROHM,Xilinx,Pulse,ON,Everlight and Freescale. Main products comprise IC,Modules,Potentiometer,IC Socket,Relay,Connector.Our parts cover such applications as commercial,industrial, and automotives areas.

We are looking forward to setting up business relationship with you and hope to provide you with the best service and solution. Let us make a better world for our industry!



## Contact us

Tel: +86-755-8981 8866 Fax: +86-755-8427 6832

Email & Skype: info@chipsmall.com Web: www.chipsmall.com

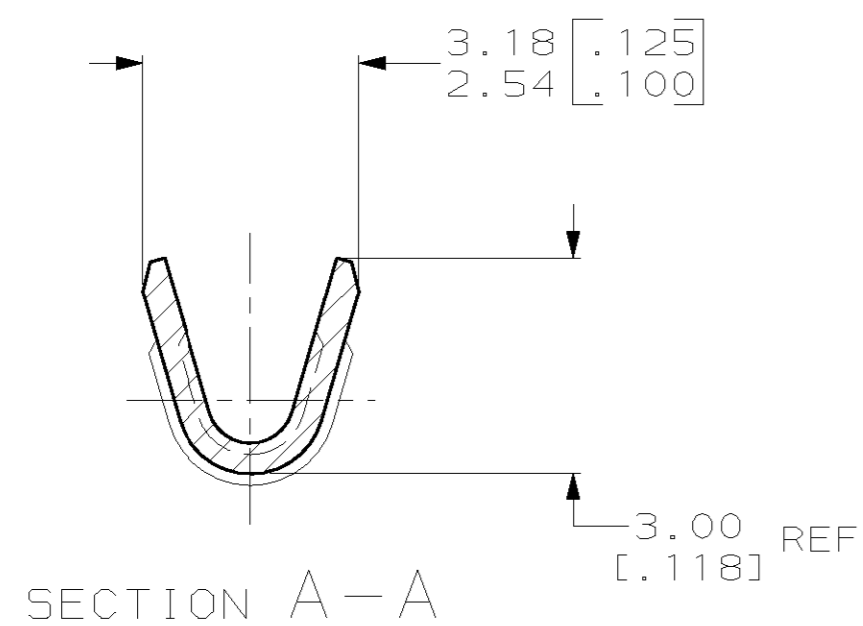
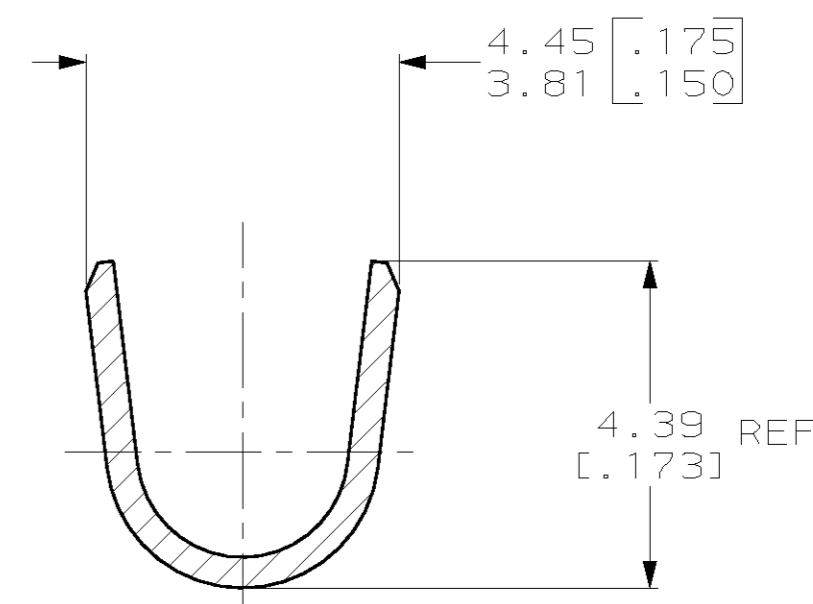
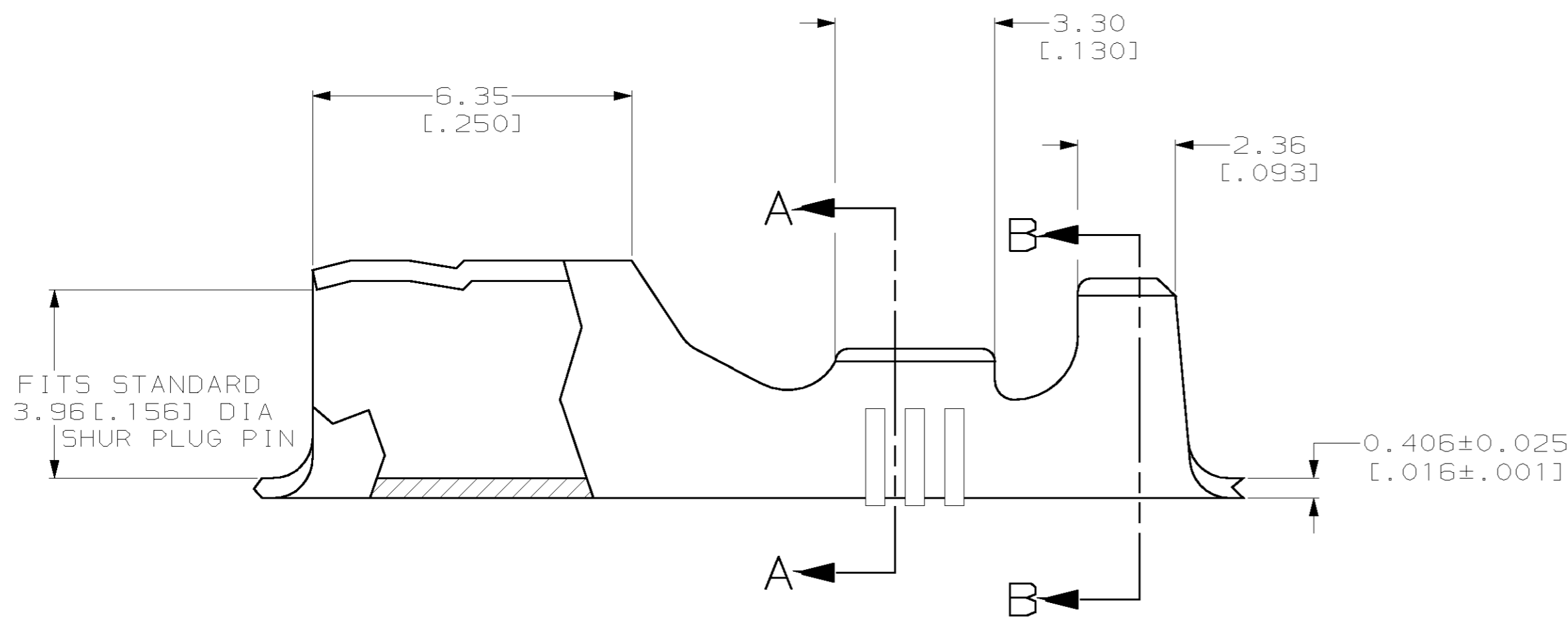
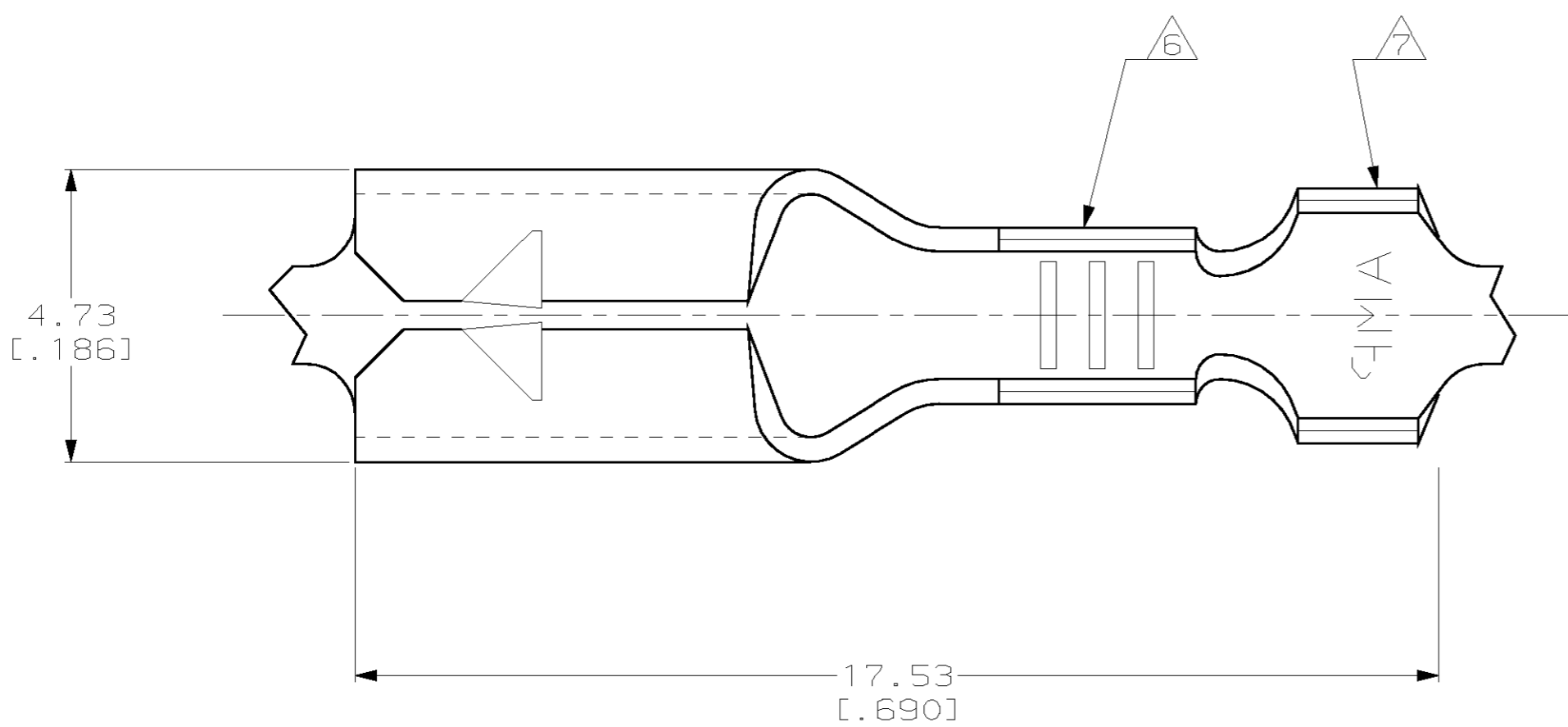
Address: A1208, Overseas Decoration Building, #122 Zhenhua RD., Futian, Shenzhen, China



THIS DRAWING IS UNPUBLISHED. RELEASED FOR PUBLICATION .19  
 © COPYRIGHT 19 BY AMP INCORPORATED. ALL RIGHTS RESERVED.

LOC	DIST	REVISIONS			
P	LTR	DESCRIPTION	DATE	DWN	APVD
AF	50	J	REV PER OG3A-0253-01	10APR01	JR DD

- 1 CONTINUOUS STRIP ON REELS.
- 2 FOREIGN PRODUCTION ONLY.
- 3 0.002032 [.000080] MIN TIN PLATE.
- 4 0.000381 [.000015] MIN GOLD PLATE OVER  
0.000762 [.000030] MIN NICKEL UNDERPLATE.
- 5 0.003810 [.000150] MIN NICKEL PLATE.
- 6 WIRE BARREL TO ACCEPT #22-#18 AWG STRANDED LEAD WIRE.
- 7 INSULATION BARREL ACCEPTS 2.16-3.18 [.085-.125] DIA INSULATION.



OBSOLETE	- 5	2	42581-4
OBSOLETE	4	- 3	42581-3
OBSOLETE	NONE	- 3	42581-2
OBSOLETE	NONE	- 3	42581-1
FINISH		PART NUMBER	

THIS DRAWING IS A CONTROLLED DOCUMENT.		DWN MICHAEL S. FEHER 21JUL1999	AMP Incorporated Harrisburg, PA 17105-3608	
DIMENSIONS: mm [INCHES]		CHK DON DECKER 23JUL1999	AMP <b>RECEPTACLE, SHUR PLUG, 3.96 [.156] DIA</b>	
TOLERANCES UNLESS OTHERWISE SPECIFIED:		APVD DON DECKER 23JUL1999		
0 PLC ±-	1 PLC ±-	PRODUCT SPEC	SIZE	RESTRICTED TO
2 PLC ±0.25 [.010]	3 PLC ±-	APPLICATION SPEC	A2	-
4 PLC ±-	ANGLES ±-	FINISH	CAGE CODE	DRAWING NO
MATERIAL 4M BRASS	FINISH SEE TABLE	WEIGHT -	00779	42581
CUSTOMER DRAWING			SCALE 5:1	SHEET 1 OF 1