



Chipsmall Limited consists of a professional team with an average of over 10 year of expertise in the distribution of electronic components. Based in Hongkong, we have already established firm and mutual-benefit business relationships with customers from,Europe,America and south Asia,supplying obsolete and hard-to-find components to meet their specific needs.

With the principle of “Quality Parts,Customers Priority,Honest Operation,and Considerate Service”,our business mainly focus on the distribution of electronic components. Line cards we deal with include Microchip,ALPS,ROHM,Xilinx,Pulse,ON,Everlight and Freescale. Main products comprise IC,Modules,Potentiometer,IC Socket,Relay,Connector.Our parts cover such applications as commercial,industrial, and automotives areas.

We are looking forward to setting up business relationship with you and hope to provide you with the best service and solution. Let us make a better world for our industry!



## Contact us

Tel: +86-755-8981 8866 Fax: +86-755-8427 6832

Email & Skype: info@chipsmall.com Web: www.chipsmall.com

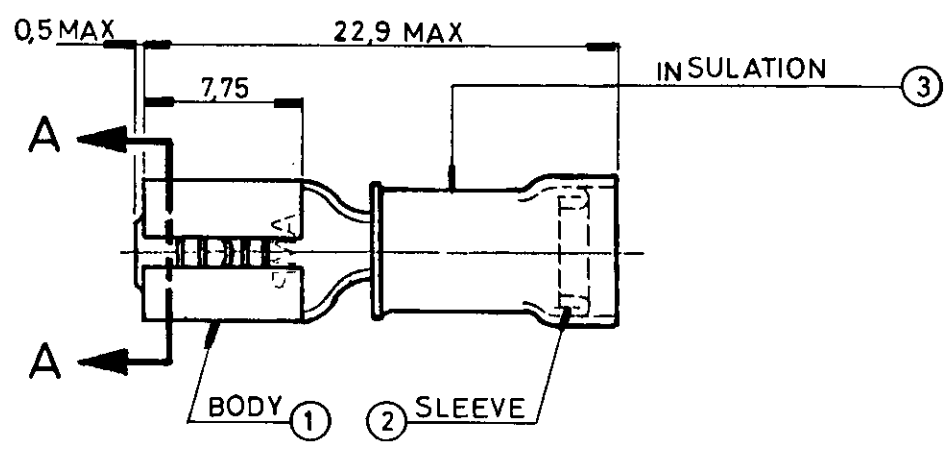
Address: A1208, Overseas Decoration Building, #122 Zhenhua RD., Futian, Shenzhen, China



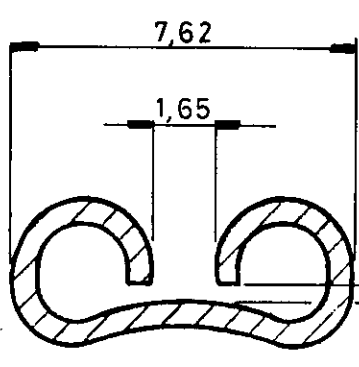
DWG N°  
PLANO N° C-42599

THIS INFORMATION IS CONFIDENTIAL AND IS DISCLOSED TO YOU ON THE CONDITION THAT NO FURTHER DISCLOSURE IS MADE BY YOU TO ANY OTHER THAN AMP PERSONNEL WITHOUT WRITTEN AUTHORIZATION FROM AMP S.A. ARGENTINA

ESTA INFORMACION ES CONFIDENCIAL Y ES ENTREGADA A USTED A CONDICION QUE LA COMPAÑIA SUSCRIBIDA NO NEESESAVIO SINO CON SU CONSENTIMIENTO POR PARTE DE AMP S.A. ARGENTINA HAYA AUTORIZACION ESCRITA DE AMP S.A. ARGENTINA



SECTION "A-A"  
ROTATED 90°



CUSTOMER DWG  
REF. ONLY

LOC	AN	42599-2		3	PVC, RED COLOR	1
DIST				2	COPPER, TIN PLATED	1
				1	BRASS, TIN PLATED	1
		P/N	ITEM	MATERIAL		QTY
				DIVN / DIBUJO	CHK / CONTROL	APVD / APROBO
				M. JARA	May '95	MAY 95
				DIMENSIONS MEDIDAS mm		
				TOLERANCES UNLESS OTHERWISE SPECIFIED TOLERANCIAS SALVO OTRA INDICACION		
				0 PLC / LUG 1 1 PLC / LUG 1 2 PLC / LUG 2 3 PLC / LUG 2 4 PLC / LUG 2		
				TOL. GRAL ±0,2		
				AMP AMP S.A. ARGENTINA C.I.Y.F.		
				RECEPTACLE		
				PIDG 22-18 FASTON		
				SCALE / ESCALA	SIZE / TALL	DRAWING N° / PLANO N°
				N.T.S.	A4	C-42599
						SHEET / HOJA OF / DE 1
						REV Y

THIS DRAWING IS A CONTROLLED DOCUMENT FOR AMP S.A. ARGENTINA IT IS SUBJECT TO CHANGE AND THE CONTROLLING ENGINEERING DEPARTMENT SHOULD BE CONTACTED FOR THE LATEST REVISION ESTE PLANO ES UN DOCUMENTO CONTROLADO POR AMP S.A. ARGENTINA ESTA SUJETO A CAMBIOS Y HAY QUE CONTACTAR AL DEPT. DE INGENIERIA PARA ULTIMA REVISION