



Chipsmall Limited consists of a professional team with an average of over 10 year of expertise in the distribution of electronic components. Based in Hongkong, we have already established firm and mutual-benefit business relationships with customers from,Europe,America and south Asia,supplying obsolete and hard-to-find components to meet their specific needs.

With the principle of "Quality Parts,Customers Priority,Honest Operation,and Considerate Service",our business mainly focus on the distribution of electronic components. Line cards we deal with include Microchip,ALPS,ROHM,Xilinx,Pulse,ON,Everlight and Freescale. Main products comprise IC,Modules,Potentiometer,IC Socket,Relay,Connector.Our parts cover such applications as commercial,industrial, and automotives areas.

We are looking forward to setting up business relationship with you and hope to provide you with the best service and solution. Let us make a better world for our industry!



## Contact us

Tel: +86-755-8981 8866 Fax: +86-755-8427 6832

Email & Skype: info@chipsmall.com Web: www.chipsmall.com

Address: A1208, Overseas Decoration Building, #122 Zhenhua RD., Futian, Shenzhen, China



# MOLDED POWER TRANSISTOR MOUNTS

## Material Specifications:

Nylon, per ASTM D 4066 PA111  
UL Rated 94V-2

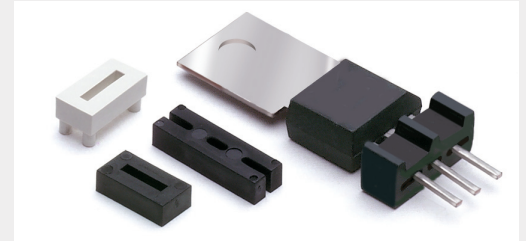
**Oxygen Rating Index:** Over 28%

## Standard Drawing Tolerances:

(unless otherwise indicated)

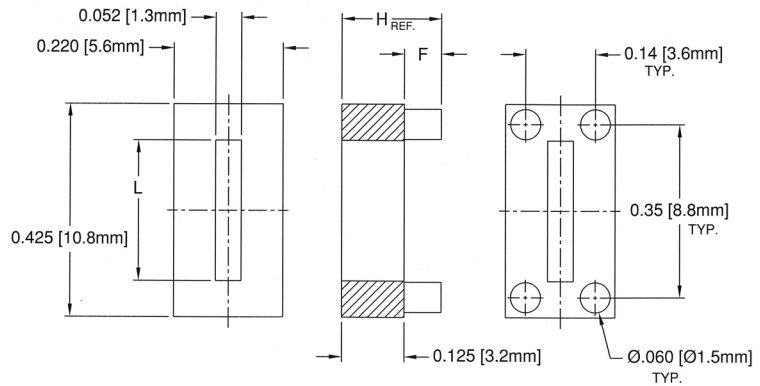
Fractions:  $\pm 1/64$  (0.4) .XX =  $\pm 0.01$  (0.25)

.X =  $\pm 0.10$  (2.5) .XXX =  $\pm 0.005$  (0.13)



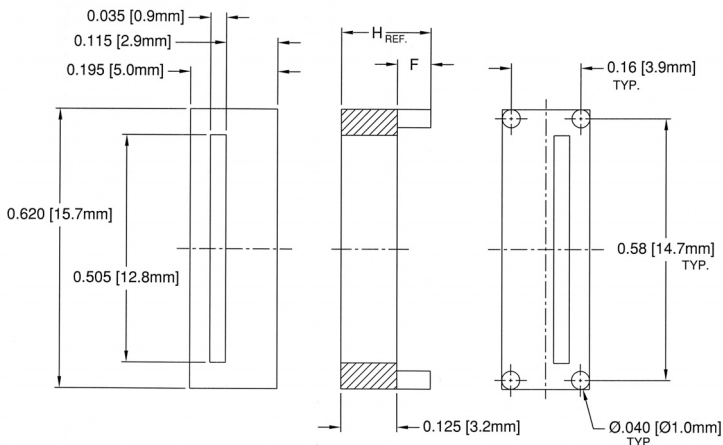
## TO-202, TO-220 Price Code: I

Part No.	H	F	L	Color
423-125	.125 (3.2)	.000	.255 (6.5)	Black
423-150	.150 (3.8)	.025 (.64)	.255 (6.5)	Black
423-175	.175 (4.4)	.050 (1.3)	.255 (6.5)	Black
423-200	.200 (5.1)	.075 (1.9)	.255 (6.5)	Black
424-125	.125 (3.2)	.000	.280 (7.1)	White
424-150	.150 (3.8)	.025 (.64)	.280 (7.1)	White
424-175	.175 (4.4)	.050 (1.3)	.280 (7.1)	White
424-200	.200 (5.1)	.075 (1.9)	.280 (7.1)	White



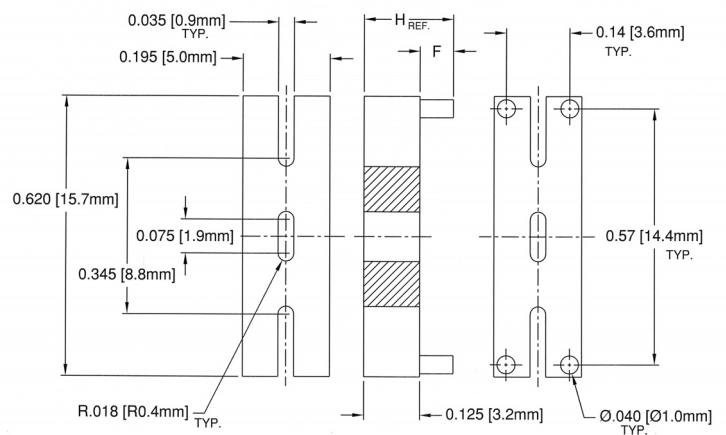
## TO-219 Price Code: J

Part No.	H	F	Color
422-125	.125 (3.2)	.000	Black
422-150	.150 (3.8)	.025 (.64)	Black
422-175	.175 (4.4)	.050 (1.3)	Black
422-200	.200 (5.1)	.075 (1.9)	Black



## TO-247 Price Code: J

Part No.	H	F	Color
426-125	.125 (3.2)	.000	Black
426-150	.150 (3.8)	.025 (.64)	Black
426-175	.175 (4.4)	.050 (1.3)	Black
426-200	.200 (5.1)	.075 (1.9)	Black



# EXTRUDED POWER TRANSISTOR MOUNTS

- Standard lengths from .030" - .750" (.76mm - 19.1mm) in .005" (.13mm) increments
- Made from semi-rigid PVC UL Rated material



## Standard Tolerances:

O.D. ±.005 (.13)

I.D. ±.005 (.13)

"H" Dim: .030 - .500 (.76 - 12.7) is ±.005 (.13)

"H" Dim: .500 - .750 (12.7 - 19.1) is ±.008 (.20)

## Ordering Information:

EPM XXX

Length Expressed in Thousandths  
(in .005" increments)

(Must be even multiples of .005")

0.030 = 030    0.750 = 750

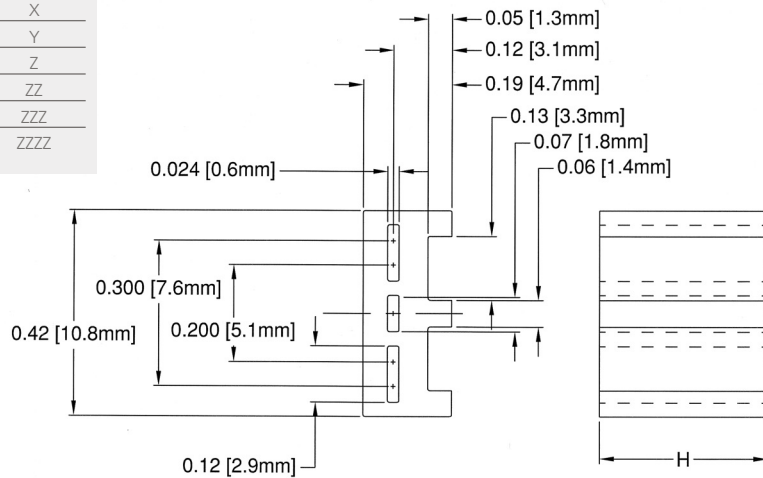
0.100 = 100

Series: EPM

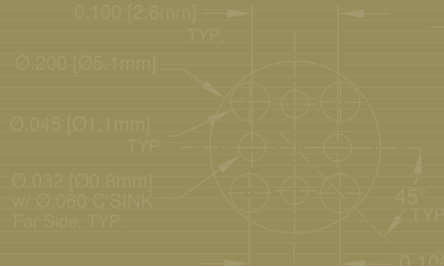
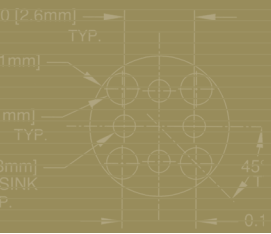
## EPM Series

Color: Natural

Part No.	"H" Dimensions	Price Code
EPM-030 thru EPMH-075	.030-.075 (.76-1.9)	W
EPM-080 thru EPMH-150	.080-.150 (2.0-3.8)	X
EPM-155 thru EPMH-230	.155-.230 (4.0-5.8)	Y
EPM-235 thru EPMH-310	.235-.310 (6.0-7.9)	Z
EPM-315 thru EPMH-380	.315-.380 (8.0-9.7)	ZZ
EPM-385 thru EPMH-495	.385-.495 (9.8-12.6)	ZZZ
EPM-500 thru EPMH-750	.500-.750 (12.7-19.1)	ZZZZ



# CAPACITOR MOUNTS



## Material Specifications:

Natural or black Nylon, per ASTM D 4066  
PA111, UL Rated 94V-2

**Oxygen Rating Index:** Over 28%

## Standard Drawing Tolerances:

(unless otherwise indicated)

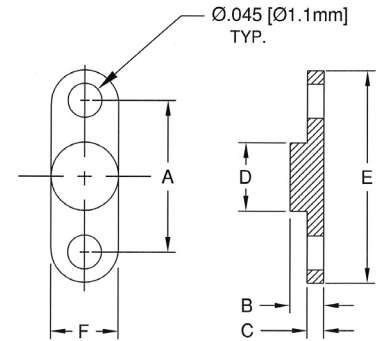
Fractions:  $\pm 1/64$  (0.4) .XX =  $\pm 0.01$  (0.25)  
.X =  $\pm 0.10$  (2.5) .XXX =  $\pm 0.005$  (0.13)



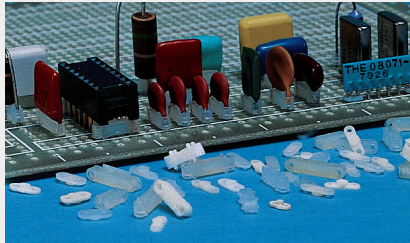
## 300 Series

Color: Natural

Part No.	A55485/ M38527/06	A	B	C	D	E	F	Price Code
300-100-022	-	.100 (2.5)	N.A.	.022 (.55)	N.A.	.180 (4.6)	.090 (2.3)	A
300-100-03	-	.100 (2.5)	.030 (.76)	.011 (.28)	.050 (1.3)	.180 (4.6)	.090 (2.3)	A
300-100	-008N	.100 (2.5)	.045 (1.1)	.022 (.55)	.050 (1.3)	.180 (4.6)	.090 (2.3)	A
300-100-075	-	.100 (2.5)	.075 (1.9)	.022 (.55)	.055 (1.4)	.180 (4.6)	.090 (2.3)	A
301-150CS	-	.150 (3.8)	N.A.	.022 (.55)	N.A.	.270 (6.9)	.125 (3.2)	A
301-150-030	-	.150 (3.8)	.030 (.76)	.011 (.28)	.090 (2.3)	.270 (6.9)	.125 (3.2)	A
301-150-040	-	.150 (3.8)	.040 (1.0)	.022 (.55)	.090 (2.3)	.270 (6.9)	.125 (3.2)	A
301-150	-009N	.150 (3.8)	.045 (1.1)	.022 (.55)	.090 (2.3)	.270 (6.9)	.125 (3.2)	A
301-150 MOD	-	.150 (3.8)	.045 (1.1)	.022 (.55)	.090 (2.3)	.240 (6.1)	.090 (2.3)	A
302-200-030	-	.200 (5.1)	.030 (.76)	.011 (.28)	.090 (2.3)	.290 (7.4)	.090 (2.3)	A
302-200-040	-	.200 (5.1)	.040 (1.0)	.022 (.55)	.090 (2.3)	.290 (7.4)	.090 (2.3)	A
302-200	-010N	.200 (5.1)	.045 (1.1)	.022 (.55)	.090 (2.3)	.290 (7.4)	.090 (2.3)	A
303-250	-017N	.250 (6.4)	.045 (1.1)	.026 (.66)	.090 (2.3)	.340 (8.6)	.090 (2.3)	A
304-300	-018N	.300 (7.5)	.045 (1.1)	.026 (.66)	.140 (3.6)	.390 (9.9)	.090 (2.3)	B
305-350	-019N	.350 (8.9)	.045 (1.1)	.030 (.76)	.140 (3.6)	.440 (11.2)	.090 (2.3)	B
306-400	-020N	.400 (10.2)	.045 (1.1)	.030 (.76)	.190 (4.8)	.490 (12.4)	.090 (2.3)	B
307-500	-021N	.500 (12.7)	.045 (1.1)	.030 (.76)	.190 (4.8)	.590 (12.4)	.090 (2.3)	B



# CAPACITOR MOUNTS



## Material Specifications:

Natural or black Nylon, per ASTM D 4066  
PA111, UL Rated 94V-2

Oxygen Rating Index: Over 28%

## Standard Drawing Tolerances:

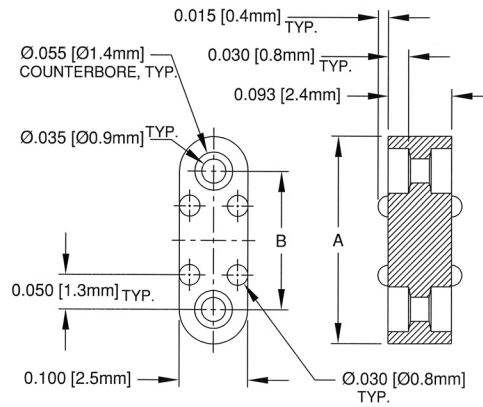
(unless otherwise indicated)

Fractions:  $\pm 1/64$  (0.4) .XX =  $\pm 0.01$  (0.25)  
.X =  $\pm 0.10$  (2.5) .XXX =  $\pm 0.005$  (0.13)

## 311 thru 316 Series

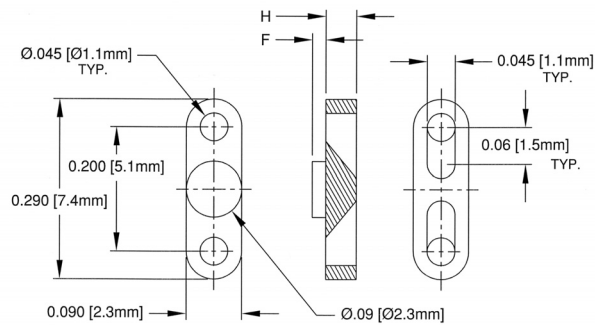
Color: Natural

Part No.	A55485/06 M38527/06	A	B	Price Code
311-200	-023N	.300 (7.6)	.200 (5.1)	A
312-250	-024N	.350 (8.9)	.250 (6.4)	A
313-300	-025N	.400 (10.2)	.300 (7.6)	A
314-350	-026N	.450 (11.4)	.350 (8.9)	B
315-400	-027N	.500 (12.7)	.400 (10.2)	B
316-500	-028N	.600 (15.2)	.500 (12.7)	B



## 330 Series Discrete

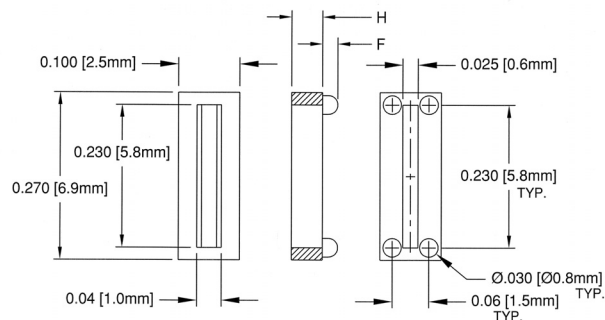
Part No.	A55485/06 M38527/06	H	F	Price Code
330-050	-047N	.050 (1.3)	.000	A
330-072	-046N	.072 (1.8)	.022 (.56)	A
330-085	-048N	.085 (2.2)	.035 (.89)	A



## 388 Series

Color: Black

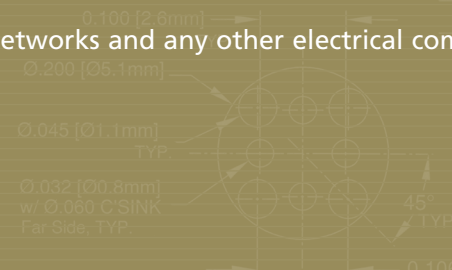
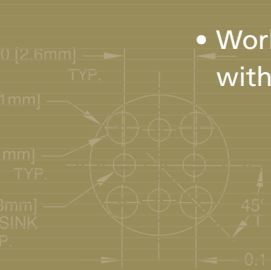
Part No.	H	F	Price Code
388-025	.025 (.64)	.000	A
388-050	.050 (1.3)	.025 (.64)	A
388-075	.075 (1.9)	.050 (1.3)	A



# CAPACITOR MOUNTS

## Single In-Line Mounts

- Works with Capacitors, Resistor Networks and any other electrical component with in-line lead configurations



### Material Specifications:

Natural Nylon, per ASTM D4066  
PA111, UL Rated 94V-2

**Oxygen Rating Index:** Over 28%

### Standard Drawing Tolerances:

(unless otherwise indicated)

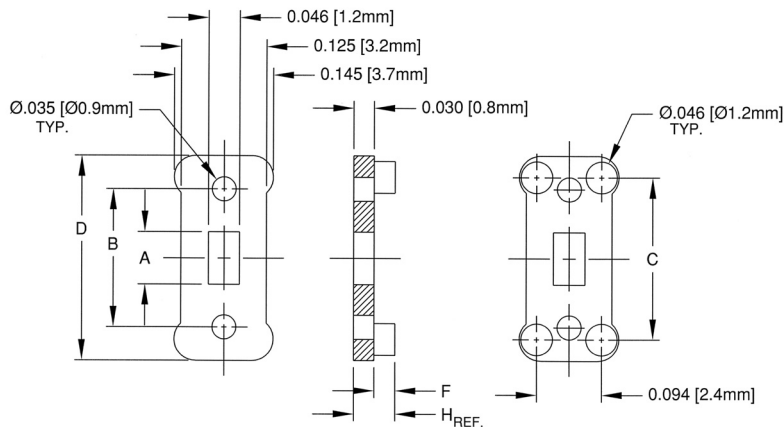
Fractions:  $\pm 1/64$  (0.4) .XX =  $\pm 0.01$  (0.25)

.X =  $\pm 0.10$  (2.5) .XXX =  $\pm 0.005$  (0.13)



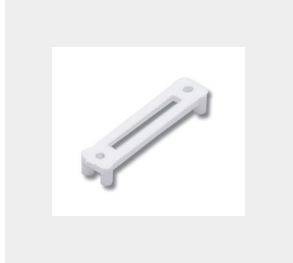
### 3XX Series

Part No.	A	B	C	D	F	H	Price Code
330-200					.000	.030 (.76)	
331-200	.076 (1.9)	.200 (5.1)	.235 (6.0)	.297 (7.5)	.030 (.76)	.060 (1.5)	A
332-200					.060 (1.5)	.090 (2.3)	
335-300					.000	.030 (.76)	
336-300	.176 (4.5)	.300 (7.6)	.335 (8.5)	.397 (10.1)	.030 (.76)	.060 (1.5)	A
337-300					.060 (1.5)	.090 (2.3)	
340-400					.000	.030 (.76)	
341-400	.276 (7.0)	.400 (10.2)	.435 (11.0)	.497 (12.6)	.030 (.76)	.060 (1.5)	B
342-400					.060 (1.5)	.090 (2.3)	
345-500					.000	.030 (.76)	
346-500	.376 (9.6)	.500 (12.7)	.535 (13.6)	.597 (15.2)	.030 (.76)	.060 (1.5)	B
347-500					.060 (1.5)	.090 (2.3)	
350-600					.000	.030 (.76)	
351-600	.476 (12.1)	.600 (15.2)	.635 (16.1)	.697 (17.7)	.030 (.76)	.060 (1.5)	G
352-600					.060 (1.5)	.090 (2.3)	
355-700					.000	.030 (.76)	
356-700	.576 (14.6)	.700 (17.8)	.735 (18.7)	.797 (20.2)	.030 (.76)	.060 (1.5)	G
357-700					.060 (1.5)	.090 (2.3)	



# CAPACITOR MOUNTS

## Single In-Line Mounts



### Material Specifications:

Natural Nylon, per ASTM D4066  
PA111, UL Rated 94V-2

**Oxygen Rating Index:** Over 28%

### Standard Drawing Tolerances:

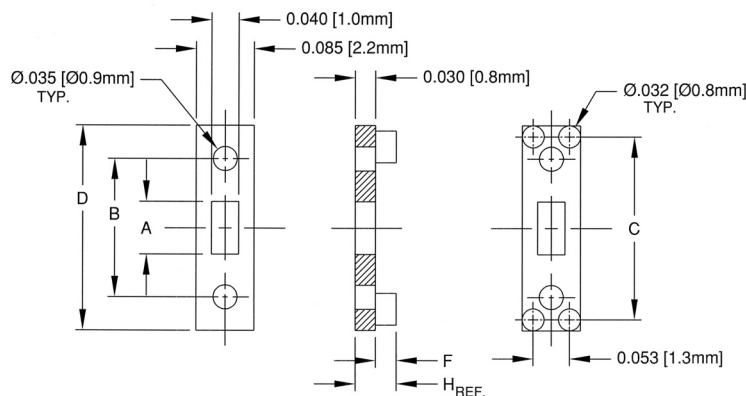
(unless otherwise indicated)

Fractions:  $\pm 1/64$  (0.4) .XX =  $\pm 0.01$  (0.25)

.X =  $\pm 0.10$  (2.5) .XXX =  $\pm 0.005$  (0.13)

### 36X, 37X, 38X Series

Part No.	A	B	C	D	F	H	Price Code
360-200					.000	.030 (.76)	
361-200	.076 (1.9)	.200 (5.1)	.235 (6.0)	.297 (7.5)	.030 (.76)	.060 (1.5)	A
362-200					.060 (1.5)	.090 (2.3)	
365-300					.000	.030 (.76)	
366-300	.176 (4.5)	.300 (7.6)	.335 (8.5)	.397 (10.1)	.030 (.76)	.060 (1.5)	A
367-300					.060 (1.5)	.090 (2.3)	
370-400					.000	.030 (.76)	
371-400	.276 (7.0)	.400 (10.2)	.435 (11.0)	.497 (12.6)	.030 (.76)	.060 (1.5)	B
372-400					.060 (1.5)	.090 (2.3)	
375-500					.000	.030 (.76)	
376-500	.376 (9.6)	.500 (12.7)	.535 (13.6)	.597 (15.2)	.030 (.76)	.060 (1.5)	B
377-500					.060 (1.5)	.090 (2.3)	
380-600					.000	.030 (.76)	
381-600	.476 (12.1)	.600 (15.2)	.635 (16.1)	.697 (17.7)	.030 (.76)	.060 (1.5)	G
382-600					.060 (1.5)	.090 (2.3)	
385-700					.000	.030 (.76)	
386-700	.576 (14.6)	.700 (17.8)	.735 (18.7)	.797 (20.2)	.030 (.76)	.060 (1.5)	G
387-700					.060 (1.5)	.090 (2.3)	



# INTEGRATED CIRCUIT MOUNTS

## Dual In-Line Mounts

### Material Specifications:

Natural Nylon, per ASTM D4066

PA111, UL Rated 94V-2

**Oxygen Rating Index:** Over 28%

### Standard Drawing Tolerances:

(unless otherwise indicated)

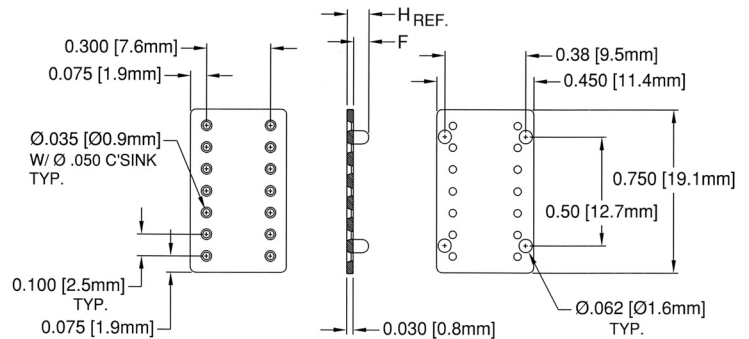
Fractions:  $\pm 1/64$  (0.4) .XX =  $\pm 0.01$  (0.25)

.X =  $\pm 0.10$  (2.5) .XXX =  $\pm 0.005$  (0.13)



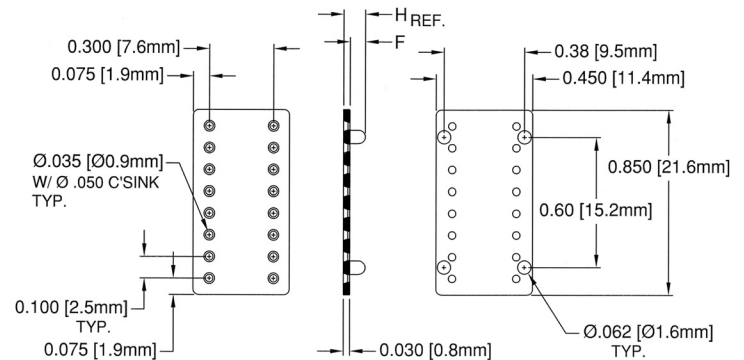
### 814 Series

Part No.	F	H	A55485/06 M38527/06	Price Code	Color
814-030	.000	.030 (.76)	-004N	C	Natural
814-045	.015 (.38)	.045 (1.1)	-	C	Black
814-060	.030 (.76)	.060 (1.5)	-005N	C	Natural
814-080	.050 (1.3)	.080 (2.0)	-006N	C	Natural
814-100	.070 (1.8)	.100 (2.5)	-	C	Black



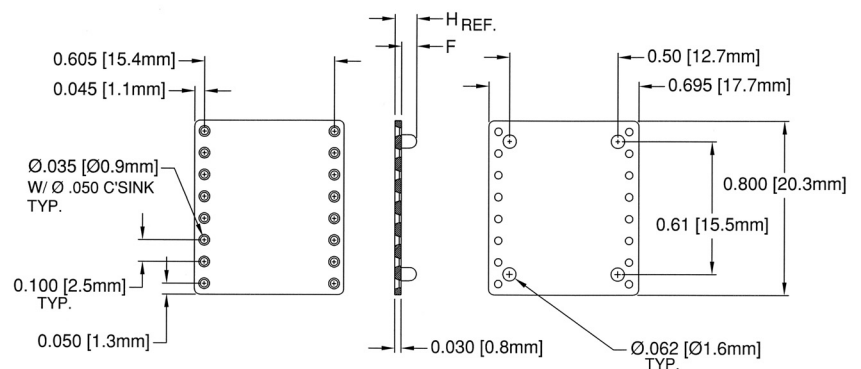
### 816 Series

Part No.	F	H	A55485/06 M38527/06	Price Code	Color
816-030	.000	.030 (.76)	-	C	Black
816-045	.015 (.38)	.045 (1.1)	-	C	Black
816-060	.030 (.76)	.060 (1.5)	-007N	C	Natural
816-080	.050 (1.3)	.080 (2.0)	-	C	Black
816-100	.070 (1.8)	.100 (2.5)	-	C	Black



### 818 Series

Part No.	F	H	A55485/06 M38527/06	Price Code	Color
818-030	.000	.030 (.76)	-	C	Black
818-045	.015 (.38)	.045 (1.1)	-	C	Black
818-060	.030 (.76)	.060 (1.5)	-	C	Black
818-080	.050 (1.3)	.080 (2.0)	-	C	Black
818-100	.070 (1.8)	.100 (2.5)	-	C	Black

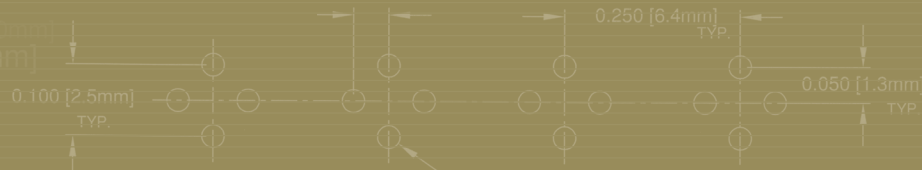




# CAPACITOR MOUNTS

ECM: Electrolytic Capacitor Mounts

ECI: Electrolytic Capacitor Insulators



## ECM: Electrolytic Capacitor Mounts

Color: Natural

- Works with 5mm through 35mm industry standard electrolytic capacitors
- Insulates and protects leads
- Prevents shorting under shock and vibration

### Material Specifications:

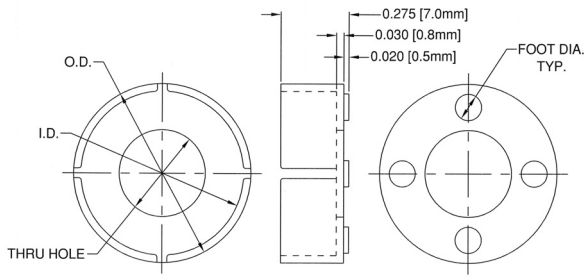
Nylon, per ASTM D4066 PA111,  
UL Rated 94V-2

### Standard Drawing Tolerances:

(unless otherwise indicated)

Fractions:  $\pm 1/64$  (0.4) .XX =  $\pm 0.01$  (0.25)  
.X =  $\pm 0.10$  (2.5) .XXX =  $\pm 0.005$  (0.13)

Oxygen Rating Index: Over 28%



Part No.	EC Type	I.D.	O.D.	Thru Hole	Foot Dia.	Price Code
ECM-1	5	.227 (5.8)	.287 (7.3)	.125 (3.2)	.060 (1.5)	A
ECM-2	6-6.3	.273 (6.9)	.333 (8.5)	.150 (3.8)	.070 (1.8)	B
ECM-3	8	.345 (8.8)	.405 (10.3)	.225 (5.7)	.070 (1.8)	F
ECM-4	10	.424 (10.8)	.484 (12.3)	.250 (6.4)	.100 (2.5)	F
ECM-5	12.5-13	.542 (13.8)	.602 (15.3)	.350 (8.9)	.105 (2.7)	G
ECM-6	16	.660 (16.8)	.720 (18.3)	.350 (8.9)	.106 (2.7)	G
ECM-7	18	.738 (18.7)	.798 (20.3)	.350 (8.9)	.106 (2.7)	H
ECM-8	20	.817 (20.8)	.877 (22.3)	.441 (11.2)	.118 (3.0)	H
ECM-9	22	.896 (22.8)	.956 (24.3)	.449 (11.4)	.118 (3.0)	I
ECM-10	25	1.008 (25.6)	1.074 (27.3)	.547 (13.9)	.138 (3.5)	I
ECM-11	25.5	1.030 (26.2)	1.090 (27.7)	.547 (13.9)	.138 (3.5)	J
ECM-12	30	1.210 (30.5)	1.270 (32.3)	.645 (16.4)	.138 (3.5)	K
ECM-13	35	1.410 (35.8)	1.470 (37.3)	.645 (16.4)	.138 (3.5)	C



## ECI: Electrolytic Capacitor Insulators

Color: Clear

- Self-retaining
- Insulates and allows circuitry beneath capacitor
- Transparent, tough and temperature resistant

### Material Specifications:

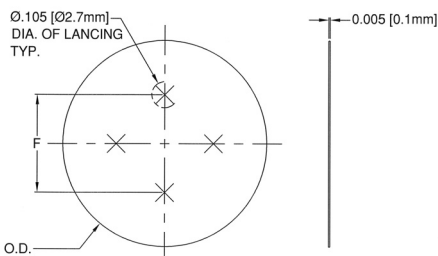
Dupont, Mylar EL-21 with  
UL Rated 94V-2

### Standard Drawing Tolerances:

(unless otherwise indicated)

Fractions:  $\pm 1/64$  (0.4) .XX =  $\pm 0.01$  (0.25)  
.X =  $\pm 0.10$  (2.5) .XXX =  $\pm 0.005$  (0.13)

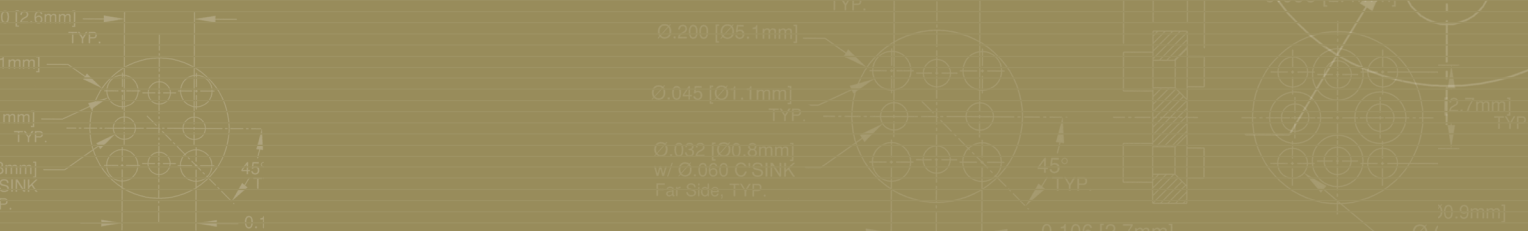
Oxygen Rating Index: Over 28%



Part No.	Case Style	O.D. $\pm .005$	F	Use With
ECI-1	I	.710 (18.0)	.394 (10.0)	30
ECI-2	II	.830 (21.0)	.394 (10.0)	22, 25, 35

# PERM-O-PADS®

## TO-18 and T-1<sup>3</sup>/<sub>4</sub> (5mm) LED Mounts



### Material Specifications:

White or Natural Nylon, per ASTM D4066 PA111, UL Rated 94V-2

**Oxygen Rating Index:** Over 28%

### Standard Drawing Tolerances:

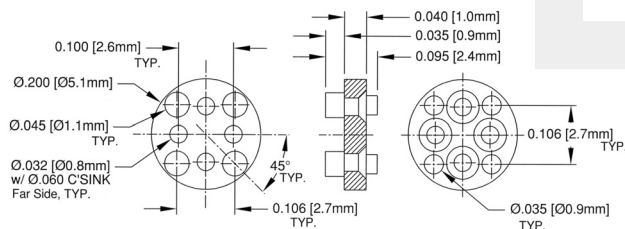
(unless otherwise indicated)

Fractions:  $\pm 1/64$  (0.4) .XX =  $\pm 0.01$  (0.25)

.X =  $\pm 0.10$  (2.5) .XXX =  $\pm 0.005$  (0.13)

### 100-095

Price Code: A

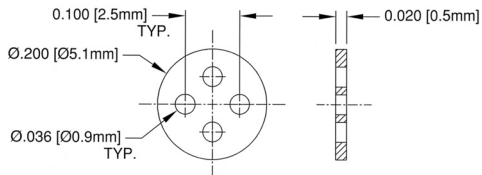


### 104-020

A55485 / 01-040N

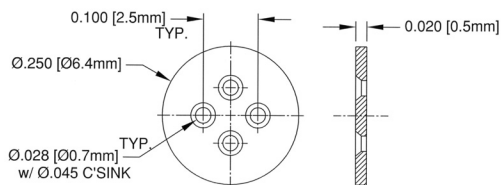
Price Code: A

M38527 / 01-040N



### 105-021

Price Code: A

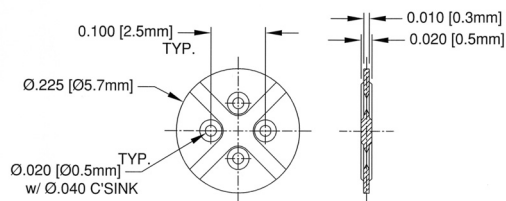


### 108-021

A55485 / 01-039N

Price Code: A

M38527 / 01-039N

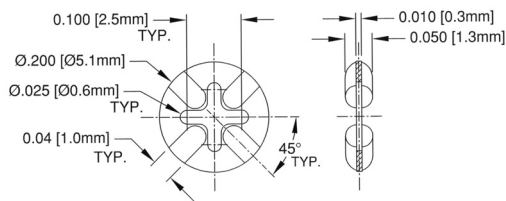


### 109-045

A55485 / 01-031N

Price Code: A

M38527 / 01-031N

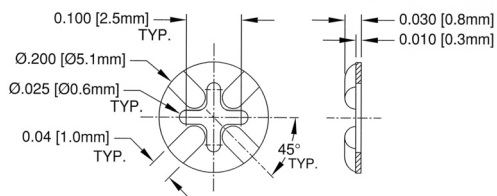


### 110-030

A55485 / 01-037N

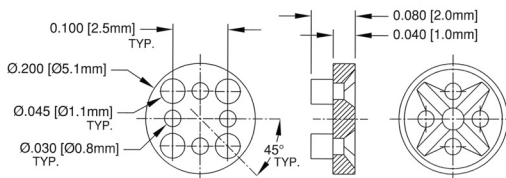
Price Code: A

M38527 / 01-037N



### 111-080

Price Code: A



# PERM-O-PADS®

## TO-18 and T-1<sup>3</sup>/<sub>4</sub> (5mm) LED Mounts

### Material Specifications:

White or Natural Nylon, per ASTM D4066 PA111, UL Rated 94V-2

**Oxygen Rating Index:** Over 28%

### Standard Drawing Tolerances:

(unless otherwise indicated)

Fractions: ± 1/64 (0.4) .XX = ±0.01 (0.25)

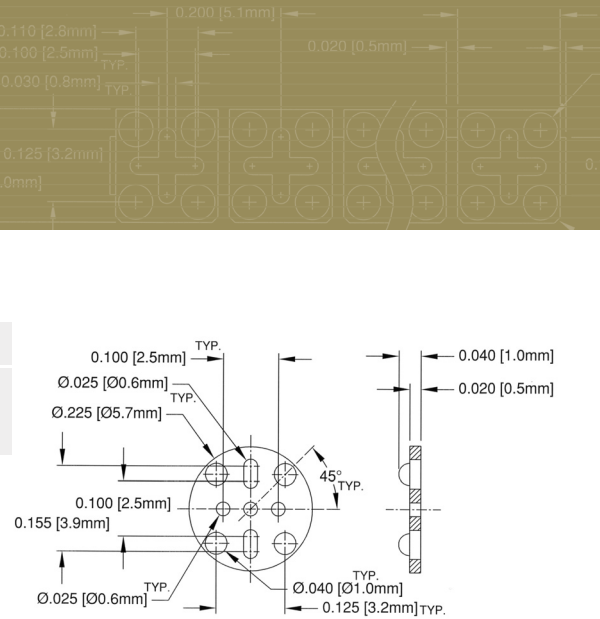
.X = ±0.10 (2.5) .XXX = ±0.005 (0.13)

### 112-040

Price Code: A

A55485 / 07-002N

M38527 / 07-002N

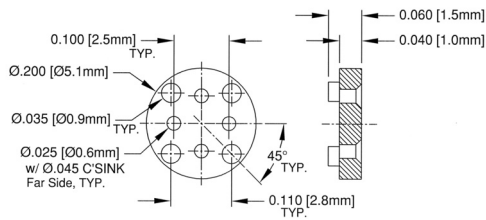


### 116-060

A55485 / 01-035N

Price Code: A

M38527 / 01-035N

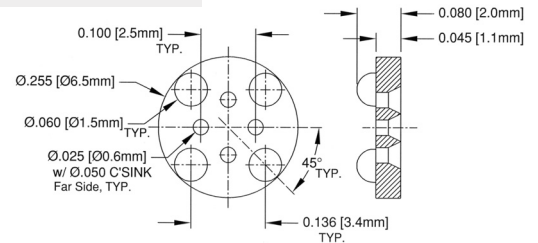


### 117-080

A55485 / 01-034N

Price Code: A

M38527 / 01-034N

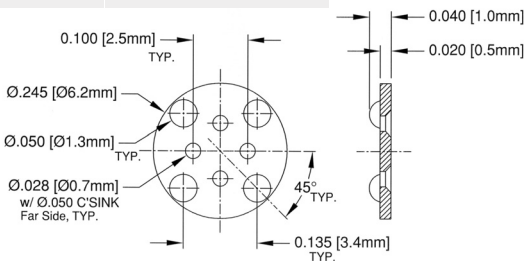


### 118-055

A55485 / 01-036N

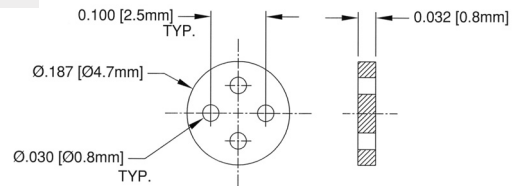
Price Code: A

M38527 / 01-036N



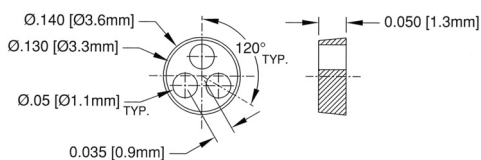
### 121-032

Price Code: A



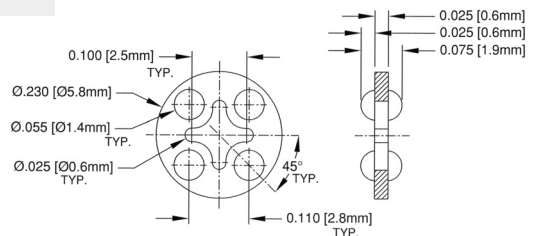
### 123-050

Price Code: A



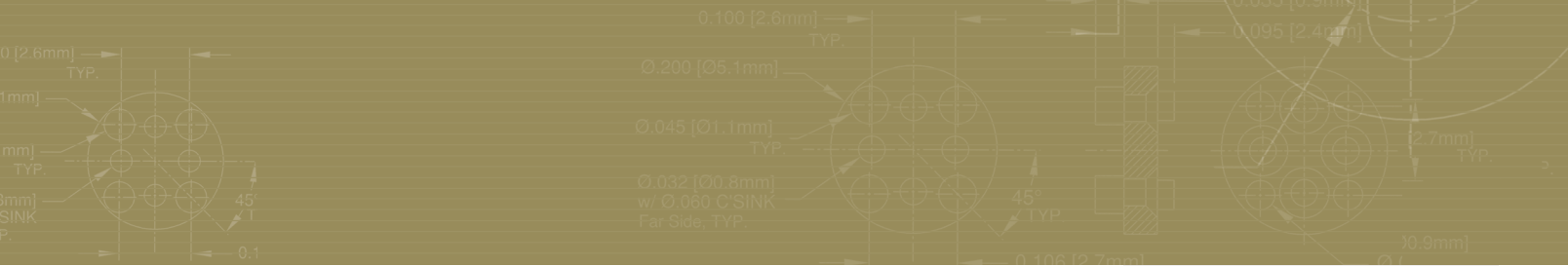
### 125-080

Price Code: A



# PERM-O-PADS®

## TO-18 and T<sup>13</sup>/32 (5mm) LED Mounts and TO-18 Spreaders



### Material Specifications:

White or Natural Nylon, per ASTM D4066 PA111, UL Rated 94V-2

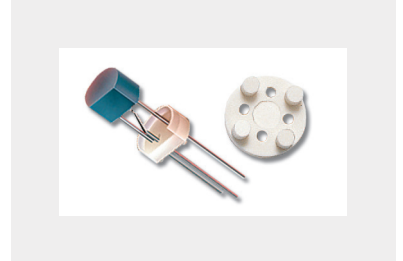
**Oxygen Rating Index:** Over 28%

### Standard Drawing Tolerances:

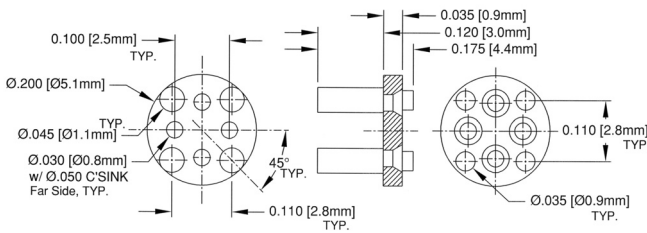
(unless otherwise indicated)

Fractions:  $\pm 1/64$  (0.4) .XX =  $\pm 0.01$  (0.25)

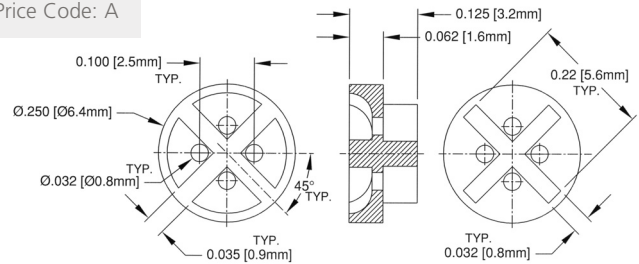
.X =  $\pm 0.10$  (2.5) .XXX =  $\pm 0.005$  (0.13)



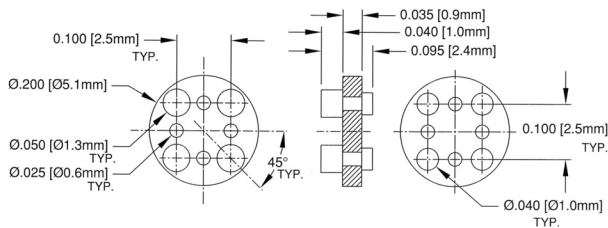
**107-180** A55485 / 01-043N  
Price Code: A M38527 / 01-043N



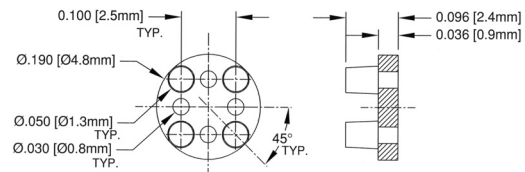
**113-125**  
Price Code: A



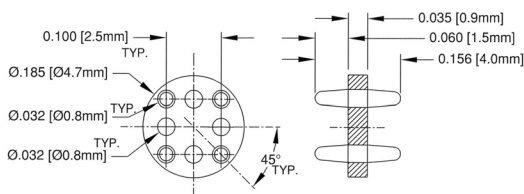
**115-100** A55485 / 01-030N  
Price Code: A M38527 / 01-030N



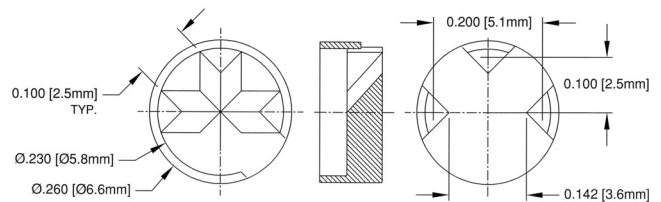
**119-096** A55485 / 01-033N  
Price Code: A M38527 / 01-033N



**120-156** A55485 / 01-044N  
Price Code: A M38527 / 01-044N



**200-115** A55485 / 03-013N  
Price Code: A M38527 / 03-013N



# PERM-O-PADS®

## TO-18 and T<sup>13</sup>/32 (5mm) LED Mounts and TO-18 Spreaders

### Material Specifications:

White or Natural Nylon, per ASTM D4066 PA111, UL Rated 94V-2

**Oxygen Rating Index:** Over 28%

### Standard Drawing Tolerances:

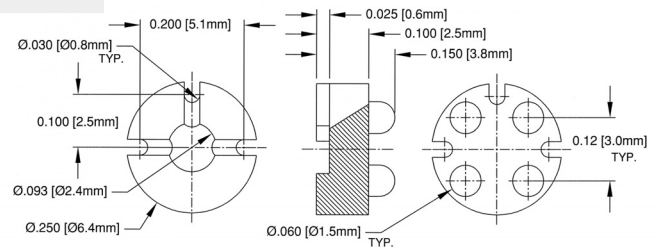
(unless otherwise indicated)

Fractions: ± 1/64 (0.4) .XX = ±0.01 (0.25)

.X = ±0.10 (2.5) .XXX = ±0.005 (0.13)

### 202-150

Price Code: A

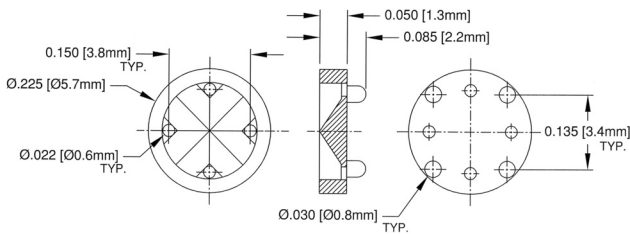


### 205-085

A55485 / 03-002N

Price Code: A

M38527 / 03-002N

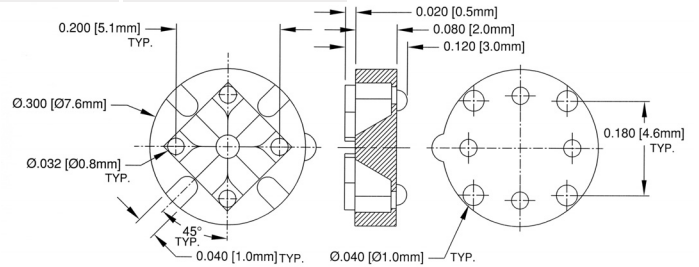


### 209-125

Price Code: A

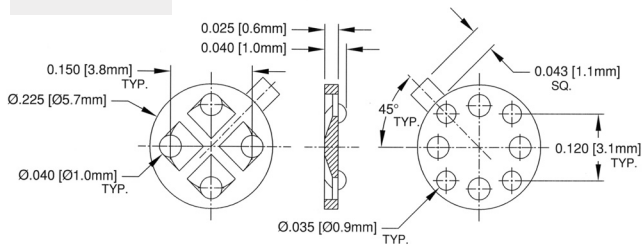
A55485 / 03-010N

M38527 / 03-010N



### 211-040

Price Code: A

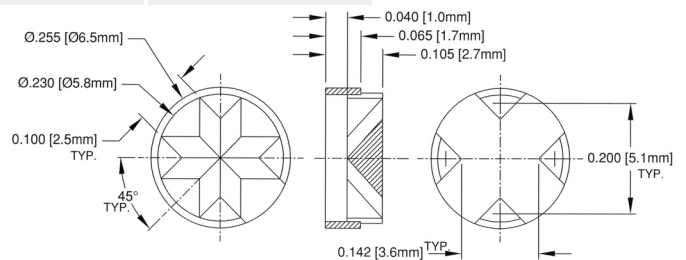


### 213-100

Price Code: A

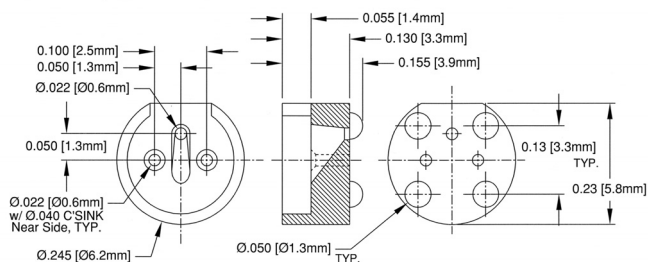
A55485 / 03-004N

M38527 / 03-004N



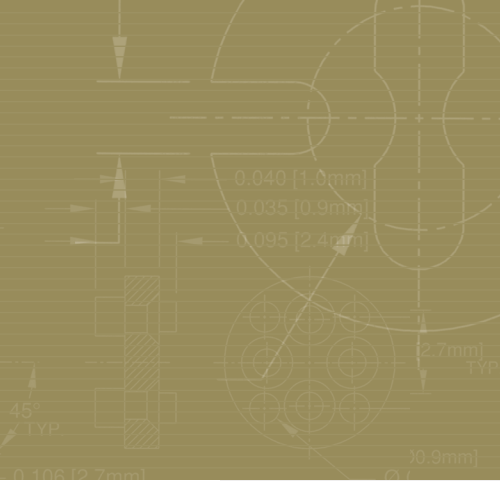
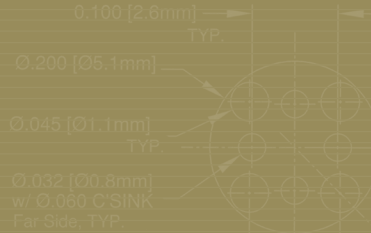
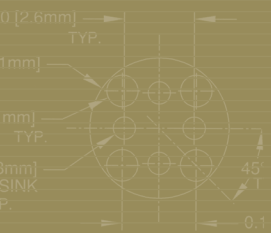
### 215-130

Price Code: A



# PERM-O-PADS®

## TO-5 Mounts



### Material Specifications:

White or Natural Nylon, per ASTM D4066 PA111, UL Rated 94V-2

**Oxygen Rating Index:** Over 28%

### Standard Drawing Tolerances:

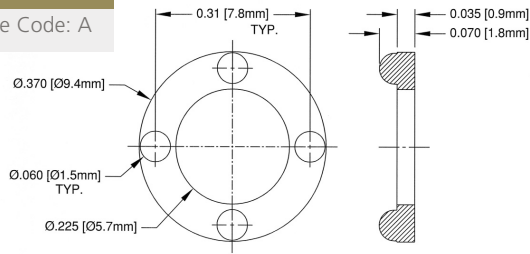
(unless otherwise indicated)

Fractions:  $\pm 1/64$  (0.4) .XX =  $\pm 0.01$  (0.25)

.X =  $\pm 0.10$  (2.5) .XXX =  $\pm 0.005$  (0.13)

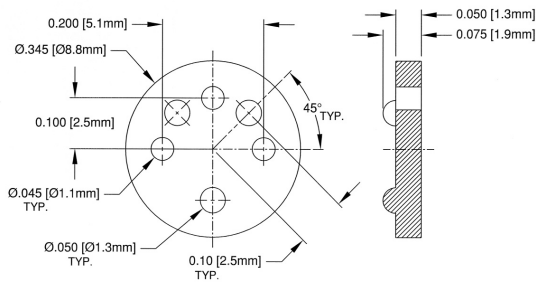
### 500-080

Price Code: A



### 501-075

Price Code: A

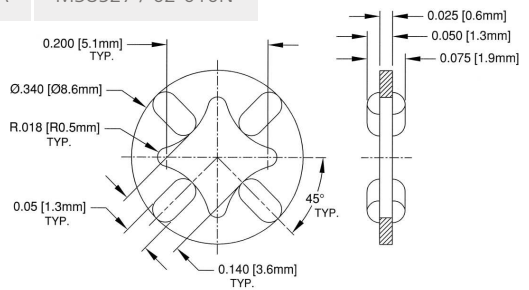


### 503-075

Price Code: A

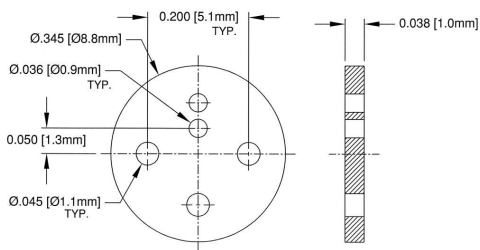
A55485 / 02-010N

M38527 / 02-010N



### 506-038

Price Code: A

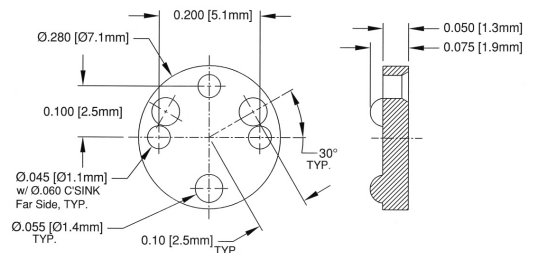


### 508-075

Price Code: A

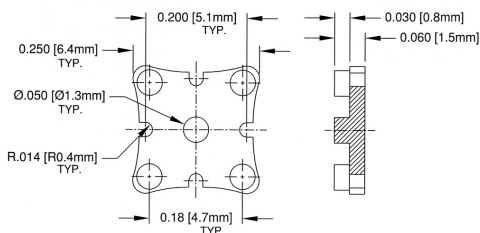
A55485 / 02-047N

M38527 / 02-047N



### 509-060

Price Code: A

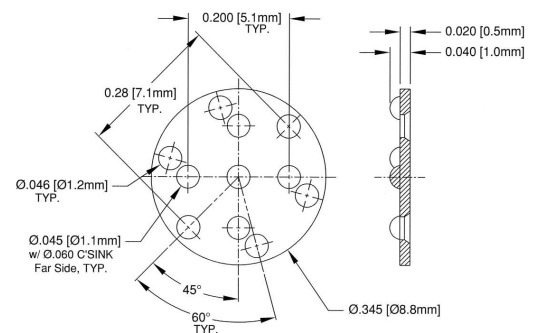


### 511-038

Price Code: A

A55485 / 02-020N

M38527 / 02-020N



# PERM-O-PADS®

## TO-5 Mounts

### Material Specifications:

White or Natural Nylon, per ASTM D4066 PA111, UL Rated 94V-2

**Oxygen Rating Index:** Over 28%

### Standard Drawing Tolerances:

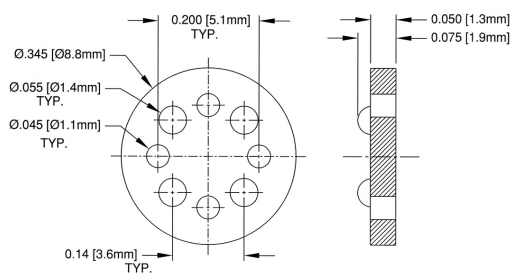
(unless otherwise indicated)

Fractions:  $\pm 1/64$  (0.4) .XX =  $\pm 0.01$  (0.25)

.X =  $\pm 0.10$  (2.5) .XXX =  $\pm 0.005$  (0.13)

### 513-075

Price Code: A

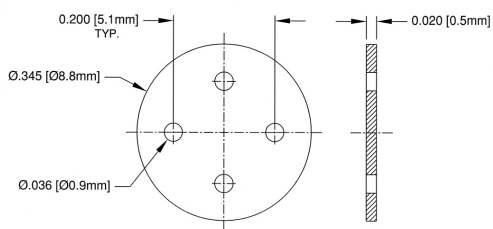


### 515-020

A55485 / 02-018N

Price Code: A

M38527 / 02-018N

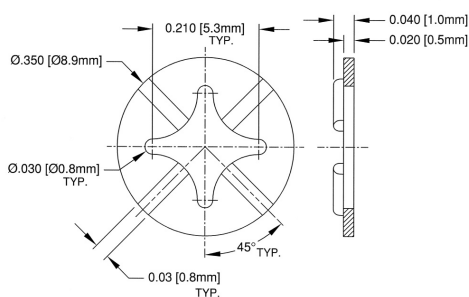


### 516-038

A55485 / 02-013N

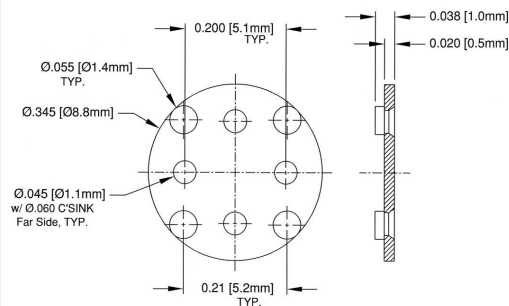
Price Code: A

M38527 / 02-013N



### 518-038

Price Code: A

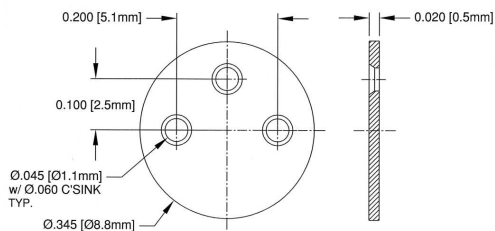


### 520-021

A55485 / 02-019N

Price Code: A

M38527 / 02-019N

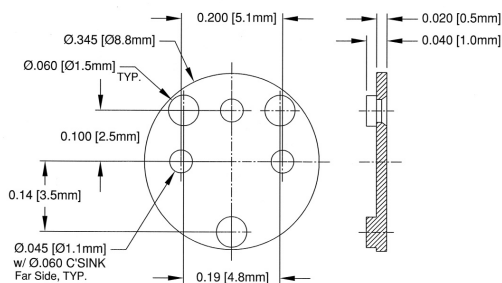


### 525-038

A55485 / 02-014N

Price Code: A

M38527 / 02-014N

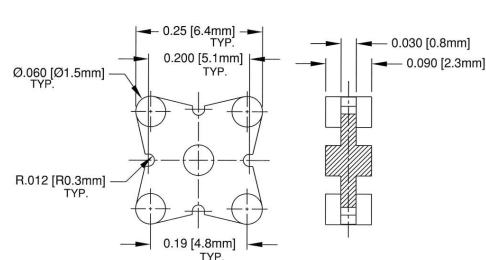


### 526-090

A55485 / 02-038N

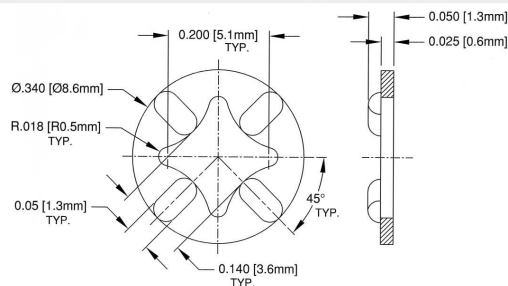
Price Code: A

M38527 / 02-038N



### 532-050

Price Code: A



# PERM-O-PADS®

## TO-5 and Integrated Circuit Mounts

### Material Specifications:

White or Natural Nylon, per ASTM D4066 PA111, UL Rated 94V-2

**Oxygen Rating Index:** Over 28%

### Standard Drawing Tolerances:

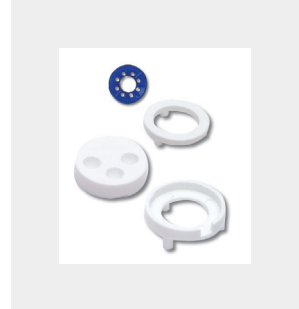
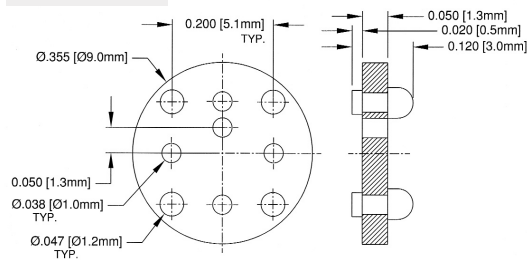
(unless otherwise indicated)

Fractions:  $\pm 1/64$  (0.4) .XX =  $\pm 0.01$  (0.25)

.X =  $\pm 0.10$  (2.5) .XXX =  $\pm 0.005$  (0.13)

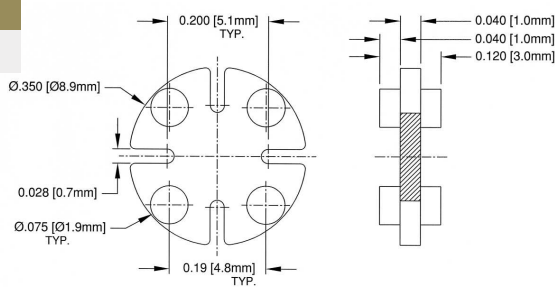
### 502-120

Price Code: A



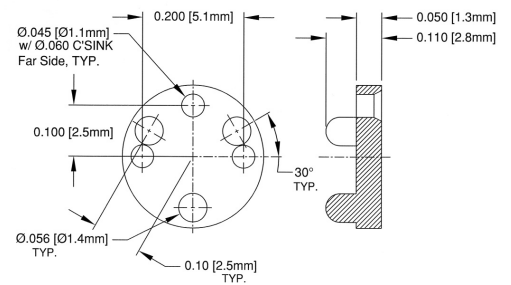
### 505-120

Price Code: A



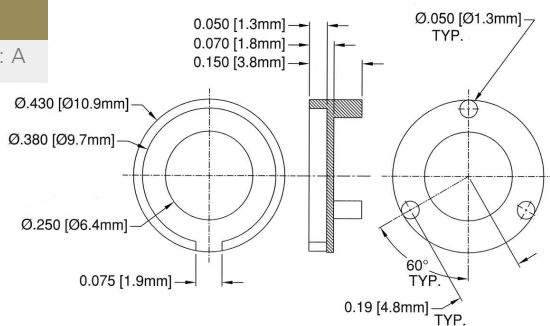
### 510-110

Price Code: A



### 512-150

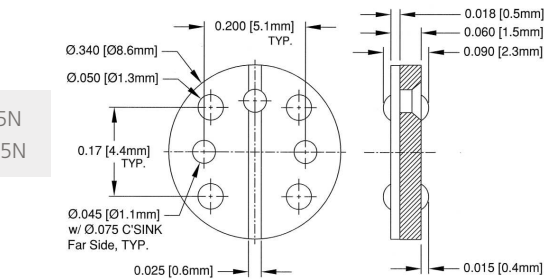
Price Code: A



### 517-095

Price Code: A

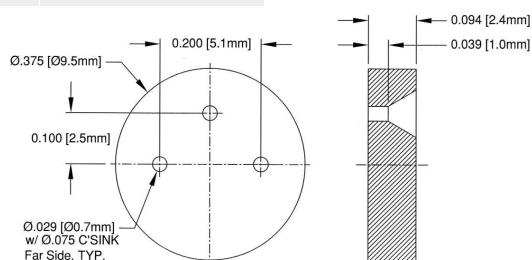
A55485 / 02-025N  
M38527 / 02-025N



### 521-094

Price Code: A

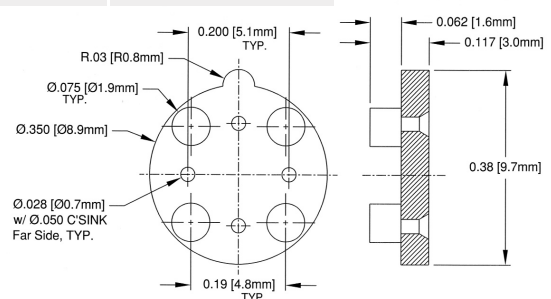
A55485 / 01-041N  
M38527 / 01-041N



### 528-117

Price Code: A

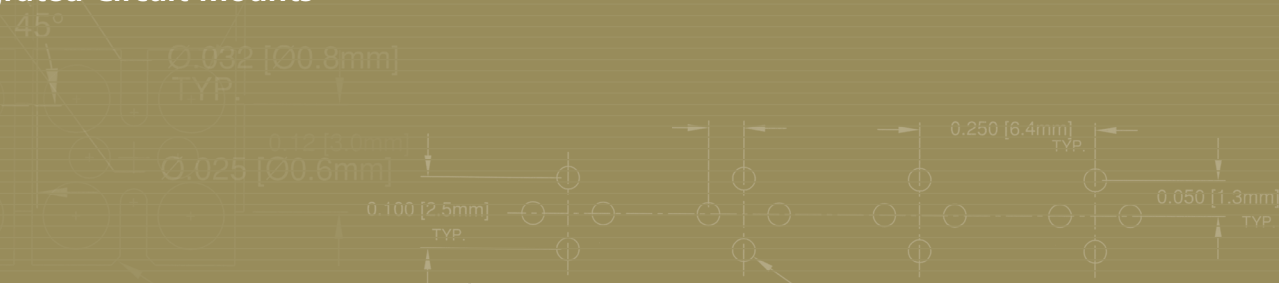
A55485 / 02-022N  
M38527 / 02-022N





# PERM-O-PADS®

## TO-5 and Integrated Circuit Mounts



### Material Specifications:

White or Natural Nylon, per ASTM D4066 PA111, UL Rated 94V-2.

**Oxygen Rating Index:** Over 28%

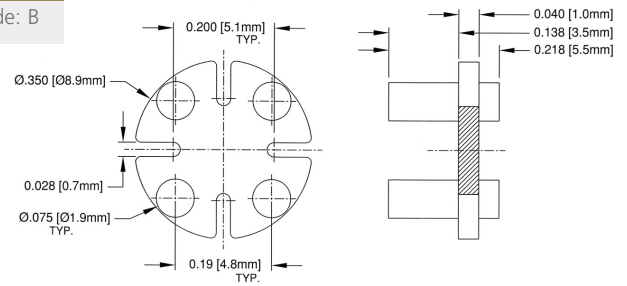
### Standard Drawing Tolerances:

(unless otherwise indicated)

Fractions:  $\pm 1/64$  (0.4) .XX =  $\pm 0.01$  (0.25)  
 .X =  $\pm 0.10$  (2.5) .XXX =  $\pm 0.005$  (0.13)

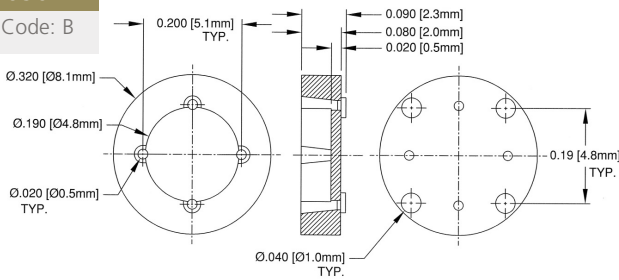
### 531-218

Price Code: B



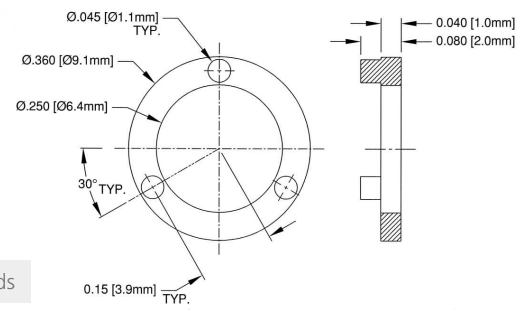
### 535-090

Price Code: B



### 600-080

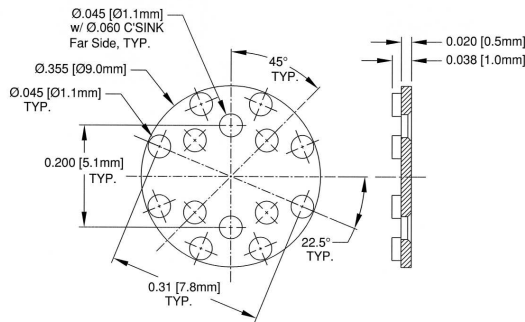
Price Code: A



6, 8, 10 or 12 Leads

### 602-038

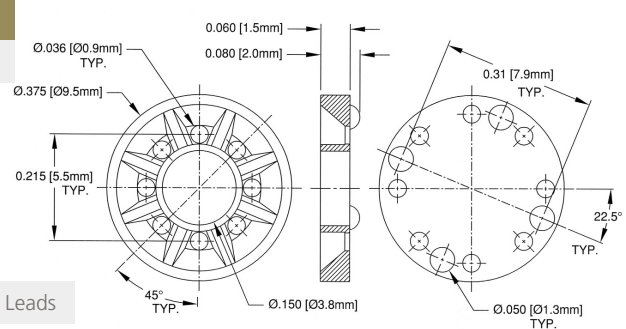
Price Code: B



6 Leads

### 605-085

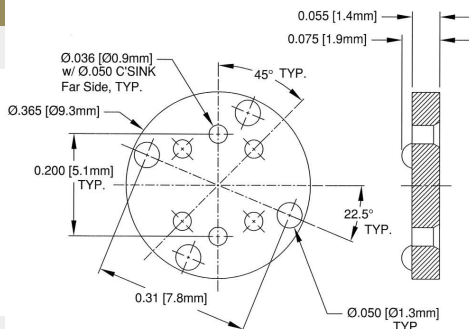
Price Code: B



Color: Blue, 8 Leads

### 609-075

Price Code: B

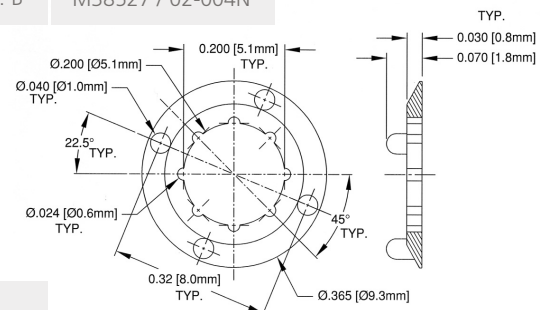


6 Leads

### 616-070

Price Code: B

A55485 / 02-004N  
 M38527 / 02-004N



8 Leads

# PERM-O-PADS®

## TO-18 and T-1<sup>3</sup>/<sub>32</sub> (5mm) LED Mounts

### Universal TO-5, to TO-18 and T-1<sup>3</sup>/<sub>4</sub> (5mm) LED Mounts



#### Material Specifications:

Nylon, per ASTM D4066 PA111, UL Rated 94V-2

Oxygen Rating Index: Over 28%

#### Standard Drawing Tolerances:

(unless otherwise indicated)

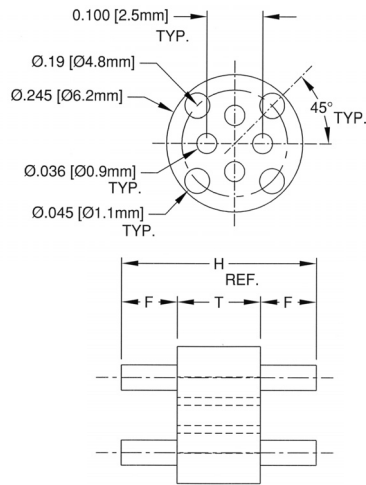
Fractions: ± 1/64 (0.4) .XX = ±0.01 (0.25)

.X = ±0.10 (2.5) .XXX = ±0.005 (0.13)



#### 102 Series

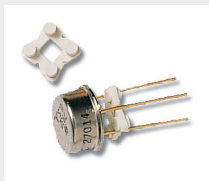
Color: White, Price Code: A



#### TO-18 and T-1<sup>3</sup>/<sub>4</sub> (5mm) LED Mounts

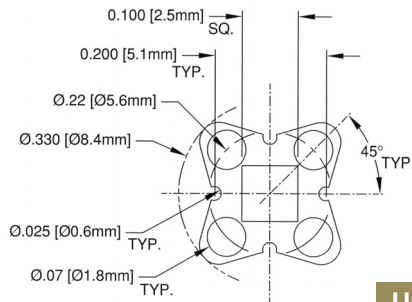
Part No.	H	T	F
102-050	.050 (1.3)	.030 (.76)	.010 (.25)
102-060	.060 (1.5)	.030 (.76)	.015 (.38)
102-070	.070 (1.8)	.030 (.76)	.020 (.51)
102-080	.080 (2.0)	.030 (.76)	.025 (.64)
102-090	.090 (2.3)	.030 (.76)	.030 (.76)
102-100	.100 (2.5)	.030 (.76)	.035 (.89)
102-110	.110 (2.8)	.030 (.76)	.040 (1.0)
102-120	.120 (3.0)	.030 (.76)	.045 (1.1)

Part No.	H	T	F
102-130	.130 (3.3)	.030 (.76)	.050 (1.3)
102-140	.140 (3.6)	.030 (.76)	.055 (1.4)
102-150	.150 (3.8)	.030 (.76)	.060 (1.5)
102-160	.160 (4.1)	.030 (.76)	.065 (1.7)
102-170	.170 (4.3)	.030 (.76)	.070 (1.8)
102-180	.180 (4.6)	.030 (.76)	.075 (1.9)
102-190	.190 (4.8)	.030 (.76)	.080 (2.0)
102-200	.200 (5.1)	.030 (.76)	.085 (2.2)



#### 126 Series

Color: White, Price Code: A



#### Universal TO-5 to TO-18 and T-1<sup>3</sup>/<sub>4</sub> (5mm) LED Mounts

Part No.	H	T	F
126-030	.030 (.76)	.030 (.76)	.000
126-040	.040 (1.0)	.030 (.76)	.005 (.13)
126-050	.050 (1.3)	.030 (.76)	.010 (.25)
126-060	.060 (1.5)	.030 (.76)	.015 (.38)
126-070	.070 (1.8)	.030 (.76)	.020 (.51)
126-080	.080 (2.0)	.030 (.76)	.025 (.64)
126-090	.090 (2.3)	.030 (.76)	.030 (.76)
126-100	.100 (2.5)	.030 (.76)	.035 (.89)
126-110	.110 (2.8)	.030 (.76)	.040 (1.0)
126-120	.120 (3.0)	.030 (.76)	.045 (1.1)
126-130	.130 (3.3)	.030 (.76)	.050 (1.3)

Part No.	H	T	F
126-140	.140 (3.5)	.030 (.76)	.055 (1.4)
126-150	.150 (3.8)	.030 (.76)	.060 (1.5)
126-160	.160 (4.1)	.030 (.76)	.065 (1.7)
126-170	.170 (4.3)	.030 (.76)	.070 (1.8)
126-180	.180 (4.6)	.030 (.76)	.075 (1.9)
126-190	.190 (4.8)	.030 (.76)	.080 (2.0)
126-200	.200 (5.1)	.030 (.76)	.085 (2.2)
126-210	.210 (5.3)	.030 (.76)	.090 (2.3)
126-220	.220 (5.6)	.030 (.76)	.095 (2.4)
126-230	.230 (5.8)	.030 (.76)	.100 (2.5)
126-240	.240 (6.1)	.030 (.76)	.105 (2.7)

# PERM-O-PADS®

## TO-5 Mounts



### 514 Series

Color: White, Price Code: A

#### Material Specifications:

Nylon, per ASTM D4066 PA111, UL Rated 94V-2

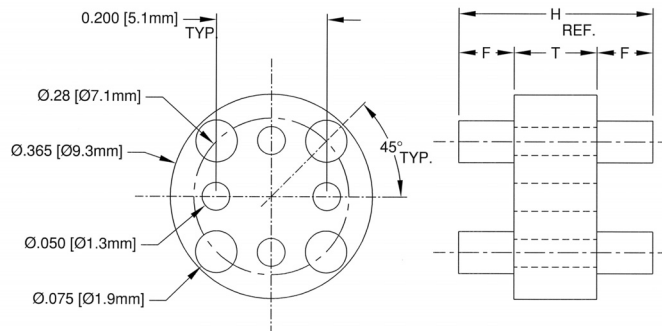
**Oxygen Rating Index:** Over 28%

#### Standard Drawing Tolerances:

*(unless otherwise indicated)*

Fractions:  $\pm 1/64$  (0.4) .XX =  $\pm 0.01$  (0.25)

.X =  $\pm 0.10$  (2.5) .XXX =  $\pm 0.005$  (0.13)



### TO-5 Mounts

Part No.	H	T	F
514-050	.050 (1.3)	.030 (.76)	.010 (.25)
514-060	.060 (1.5)	.030 (.76)	.015 (.38)
514-070	.070 (1.8)	.030 (.76)	.020 (.51)
514-080	.080 (2.0)	.030 (.76)	.025 (.64)
514-090	.090 (2.3)	.030 (.76)	.030 (.76)
514-100	.100 (2.5)	.030 (.76)	.035 (.89)
514-110	.110 (2.8)	.030 (.76)	.040 (1.0)
514-120	.120 (3.0)	.030 (.76)	.045 (1.1)
514-130	.130 (3.3)	.030 (.76)	.050 (1.3)
514-140	.140 (3.6)	.030 (.76)	.055 (1.4)

Part No.	H	T	F
514-150	.150 (3.8)	.030 (.76)	.060 (1.5)
514-160	.160 (4.1)	.030 (.76)	.065 (1.7)
514-170	.170 (4.3)	.030 (.76)	.070 (1.8)
514-180	.180 (4.6)	.030 (.76)	.075 (1.9)
514-190	.190 (4.8)	.030 (.76)	.080 (2.0)
514-200	.200 (5.1)	.030 (.76)	.085 (2.2)
514-210	.210 (5.3)	.030 (.76)	.090 (2.3)
514-220	.220 (5.6)	.030 (.76)	.095 (2.4)
514-230	.230 (5.8)	.030 (.76)	.100 (2.5)
514-240	.240 (6.1)	.030 (.76)	.105 (2.7)



# CRYSTAL MOUNTS

## Molded Mounts

- Elevates Crystal Oscillators from PCB
- Improves Cooling Efficiency
- Allows for Proper Inspection of Solder Joints
- Allows for Traces to be Run Under Component



### Material Specifications:

UL Rated 94V-2 White Nylon per ASTM D4066 PA111

### Oxygen Rating Index: Over 28%

UL File #E135532

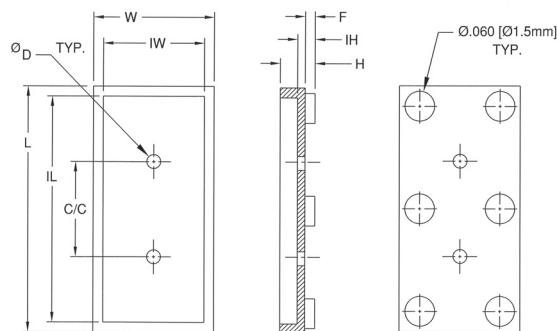
### Standard Drawing Tolerances:

(unless otherwise indicated)

Fractions:  $\pm 1/64$  (0.4) .XX =  $\pm 0.01$  (0.25)

.X =  $\pm 0.10$  (2.5) .XXX =  $\pm 0.005$  (0.13)

Part No.	L	IL	W	IW	C/C	D	IH	F	H	Style	Price Code
470-015	.495 (12.6)	.455 (11.6)	.245 (6.2)	.205 (5.2)	.192 (4.9)	.028 (.71)	.015 (.38)	.000	.050 (1.3)	I	H
470-025	.495 (12.6)	.455 (11.6)	.245 (6.2)	.205 (5.2)	.192 (4.9)	.028 (.71)	.025 (.64)	.010 (.25)	.060 (1.5)	I	H
470-035	.495 (12.6)	.455 (11.6)	.245 (6.2)	.205 (5.2)	.192 (4.9)	.028 (.71)	.035 (.89)	.020 (.51)	.070 (1.8)	I	H
470-045	.495 (12.6)	.455 (11.6)	.245 (6.2)	.205 (5.2)	.192 (4.9)	.028 (.71)	.045 (1.1)	.030 (.76)	.080 (2.0)	I	H
471-015	.495 (12.6)	.455 (11.6)	.245 (6.2)	.205 (5.2)	.192 (4.9)	.050 (1.3)	.015 (.38)	.000	.050 (1.3)	II	H
471-025	.495 (12.6)	.455 (11.6)	.245 (6.2)	.205 (5.2)	.192 (4.9)	.050 (1.3)	.025 (.64)	.010 (.25)	.060 (1.5)	II	H
471-035	.495 (12.6)	.455 (11.6)	.245 (6.2)	.205 (5.2)	.192 (4.9)	.050 (1.3)	.035 (.89)	.020 (.51)	.070 (1.8)	II	H
471-045	.495 (12.6)	.455 (11.6)	.245 (6.2)	.205 (5.2)	.192 (4.9)	.050 (1.3)	.045 (1.1)	.030 (.76)	.080 (2.0)	II	H



# CRYSTAL INSULATORS

## Mylar Mounts

- Only 0.005" Thick does not increase component height
- Insulates component from PCB
- Allows for trace to be run under components

### Material Specifications:

UL Rated 94VTM-2 Mylar Film Dupont EL-21 Clear

### Oxygen Rating Index: Over 28%

UL File #E93687

### Standard Drawing Tolerances:

(unless otherwise indicated)

Fractions:  $\pm 1/64$  (0.40) .XX =  $\pm 0.01$  (0.25)

.X =  $\pm 0.10$  (2.5) .XXX =  $\pm 0.005$  (0.13)

Note: SR Stands for Self Retaining



Part No.	C	C/C	L	D	W	Case Style	Price Code	Use with
CI-148-028	-	.148 (3.8)	.325 (8.3)	.028 (.71)	.145 (3.7)	VI	X	HC-80/U
CI-148-028 SR*	-	.148 (3.8)	.325 (8.3)	*	.145 (3.7)	VI	X	HC-80/U
CI-148-028-3	.074 (1.9)	.148 (3.8)	.325 (8.3)	.028 (.71)	.145 (3.7)	VI	X	HC-80/U
CI-148-028-3 SR*	.074 (1.9)	.148 (3.8)	.325 (8.3)	*	.145 (3.7)	VI	X	HC-80/U
CI-192-028	-	.192 (4.9)	.465 (11.8)	.028 (.71)	.219 (5.6)	I	X	HC-18/U, HC-43/U & HC-49/U
CI-192-028 SR*	-	.192 (4.9)	.465 (11.8)	*	.219 (5.6)	I	X	HC-18/U, HC-43/U & HC-49/U
CI-192-028-3	.096 (2.4)	.192 (4.9)	.465 (11.8)	.028 (.71)	.219 (5.6)	I	X	HC-18/U, HC-43/U & HC-49/U
CI-192-028-3 SR*	.096 (2.4)	.192 (4.9)	.465 (11.8)	*	.219 (5.6)	I	X	HC-18/U, HC-43/U & HC-49/U
CI-192-050	-	.192 (4.9)	.465 (11.8)	.050 (1.3)	.219 (5.6)	II	X	HC-25/U, HC-42/U & HC-50/U
CI-192-050-3	.096 (2.4)	.192 (4.9)	.465 (11.8)	.050 (1.3)	.219 (5.6)	II	X	HC-25/U, HC-42/U & HC-50/U

