



Chipsmall Limited consists of a professional team with an average of over 10 year of expertise in the distribution of electronic components. Based in Hongkong, we have already established firm and mutual-benefit business relationships with customers from,Europe,America and south Asia,supplying obsolete and hard-to-find components to meet their specific needs.

With the principle of “Quality Parts,Customers Priority,Honest Operation,and Considerate Service”,our business mainly focus on the distribution of electronic components. Line cards we deal with include Microchip,ALPS,ROHM,Xilinx,Pulse,ON,Everlight and Freescale. Main products comprise IC,Modules,Potentiometer,IC Socket,Relay,Connector.Our parts cover such applications as commercial,industrial, and automotives areas.

We are looking forward to setting up business relationship with you and hope to provide you with the best service and solution. Let us make a better world for our industry!



Contact us

Tel: +86-755-8981 8866 Fax: +86-755-8427 6832

Email & Skype: info@chipsmall.com Web: www.chipsmall.com

Address: A1208, Overseas Decoration Building, #122 Zhenhua RD., Futian, Shenzhen, China



THIS DRAWING IS UNPUBLISHED.

RELEASED FOR PUBLICATION

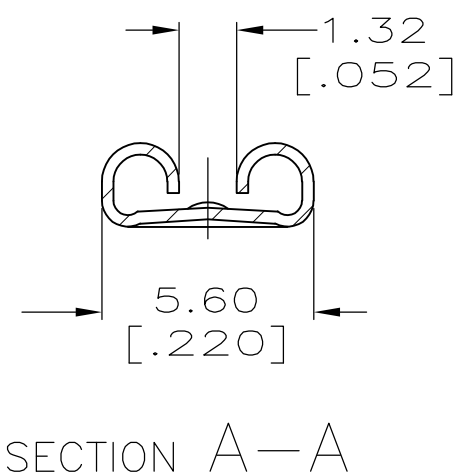
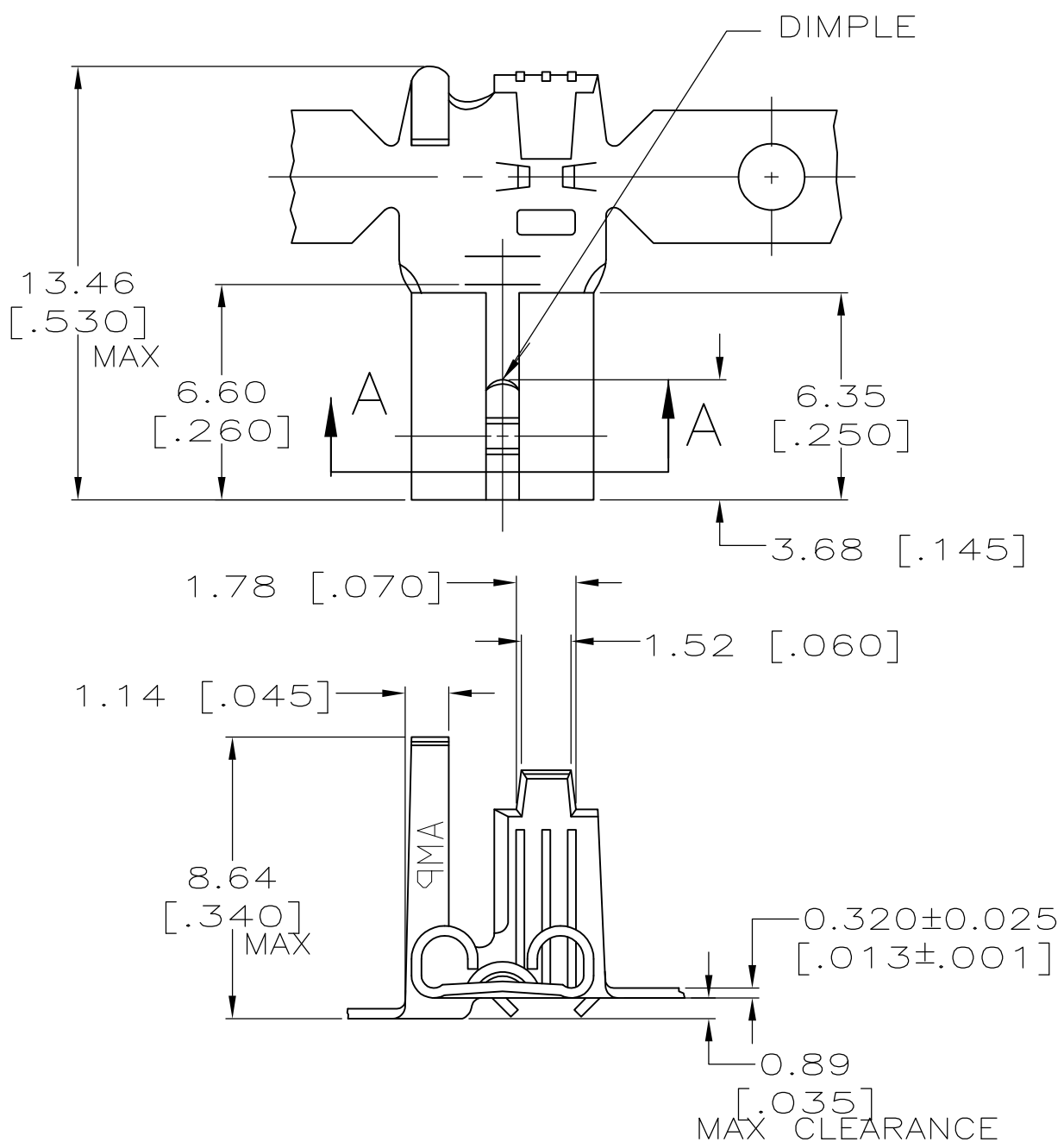
ALL RIGHTS RESERVED.

© COPYRIGHT - By -

LOC AF DIST 50

REVISIONS

P	LTR	DESCRIPTION	DATE	DWN	APVD
G		REVISED PER ECR-12-013445	18OCT12	KH	PD



- 1 CONTINUOUS STRIP ON REELS.
- 2 ACCEPTS [#20-#16] AWG WIRE.
- 3 INSULATION RANGE TO BE 2.79-4.32 [.110-.170] DIA.
- 4 MATING TAB THICKNESS TO BE 0.51±0.025 [.020±.001]
- 5 FEED TO BE 16.38±0.13 [.645±.005]
- △ 6 PREPRODUCTION - FASR REQUIRED

TIN	H04 PHOS BRONZE	△ 6	42618-3
TIN	BRASS		42618-2
-	BRASS		42618-1
FINISH	MATERIAL		PART NO.

THIS DRAWING IS A CONTROLLED DOCUMENT.		DWN	JR RUTH	1/25/96	TE Connectivity					
DIMENSIONS: MM [INCHES]		CHK	P FORTNEY	1/25/96				NAME RECEPTACLE, FASTON, FLAG, MOLDABLE, 4.75 [.187] SERIES		
TOLERANCES UNLESS OTHERWISE SPECIFIED:		APVD	P DESANTIS	1/25/96						
0 PLC ± - 1 PLC ± - 2 PLC ± 0.38 [.015] 3 PLC ± - 4 PLC ± - ANGLES ± -		MATERIAL						SIZE	CAGE CODE	DRAWING NO
SEE TABLE		FINISH			A300779 C-42618			-		
CUSTOMER DRAWING					SCALE	5:1	SHEET	1 OF 1	REV	G