



Chipsmall Limited consists of a professional team with an average of over 10 year of expertise in the distribution of electronic components. Based in Hongkong, we have already established firm and mutual-benefit business relationships with customers from,Europe,America and south Asia,supplying obsolete and hard-to-find components to meet their specific needs.

With the principle of “Quality Parts,Customers Priority,Honest Operation,and Considerate Service”,our business mainly focus on the distribution of electronic components. Line cards we deal with include Microchip,ALPS,ROHM,Xilinx,Pulse,ON,Everlight and Freescale. Main products comprise IC,Modules,Potentiometer,IC Socket,Relay,Connector.Our parts cover such applications as commercial,industrial, and automotives areas.

We are looking forward to setting up business relationship with you and hope to provide you with the best service and solution. Let us make a better world for our industry!



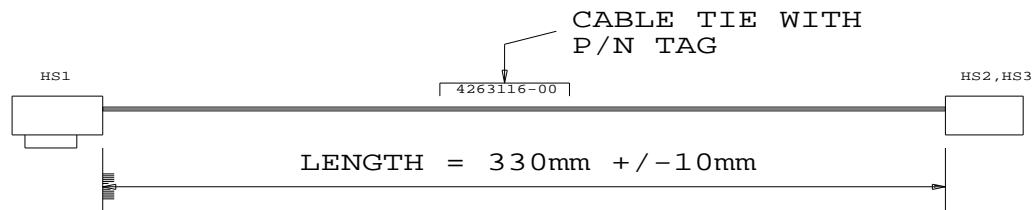
## Contact us

Tel: +86-755-8981 8866 Fax: +86-755-8427 6832

Email & Skype: info@chipsmall.com Web: www.chipsmall.com

Address: A1208, Overseas Decoration Building, #122 Zhenhua RD., Futian, Shenzhen, China

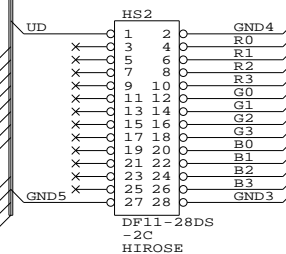
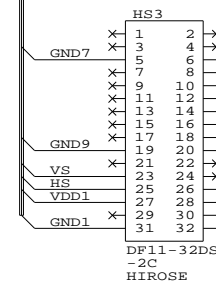
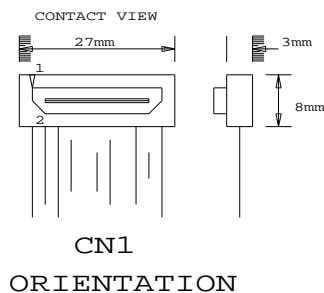
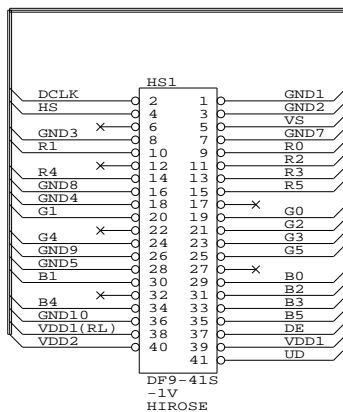




WIRE: UL1571, AWG28  
COLOR CODED

PANEL SIDE

CONTROLLER SIDE



BLACK  
PLASTIC  
MOULDED

CONNECTION TABLE:

DF9-41S	HS1	01	02	03	04	05	06	07	08	09	10	11	12	13	14	15	16	17	18	19	20	21	22	23	24	25	26	27	28	29	30	31	32	33	34	35	36	37	38	39	40	41	HS1			
DF11-28DS	HS2	/	/	/	/	/	/	/	28	04	06	08	/	10	/	/	/	/	18	/	02	12	14	16	/	18	/	/	27	20	22	24	/	26	/	/	/	/	/	/	/	/	/	/	01	HS2
DF11-32DS	HS3	31	30	32	25	23	/	05	/	/	/	/	/	08	10	06	/	/	/	/	/	/	/	/	/	12	14	19	/	/	/	/	/	/	16	18	20	26	27	27	28	/	/	HS3		

P/N 4263116-00  
PANEL CABLE: AC1024/V3/6880, 330mm