



Chipsmall Limited consists of a professional team with an average of over 10 year of expertise in the distribution of electronic components. Based in Hongkong, we have already established firm and mutual-benefit business relationships with customers from,Europe,America and south Asia,supplying obsolete and hard-to-find components to meet their specific needs.

With the principle of “Quality Parts,Customers Priority,Honest Operation,and Considerate Service”,our business mainly focus on the distribution of electronic components. Line cards we deal with include Microchip,ALPS,ROHM,Xilinx,Pulse,ON,Everlight and Freescale. Main products comprise IC,Modules,Potentiometer,IC Socket,Relay,Connector.Our parts cover such applications as commercial,industrial, and automotives areas.

We are looking forward to setting up business relationship with you and hope to provide you with the best service and solution. Let us make a better world for our industry!



## Contact us

Tel: +86-755-8981 8866 Fax: +86-755-8427 6832

Email & Skype: info@chipsmall.com Web: www.chipsmall.com

Address: A1208, Overseas Decoration Building, #122 Zhenhua RD., Futian, Shenzhen, China



**Material:**

- Body: Nickel-plated brass
- Seal: Tefabloc
- Clamping ring for grounding connection: Tin-plated plastic
- Seal ring for outer thread: Nitril

**Characteristics:**

- PG/Metric thread

**Technical properties:**

- Continuous EMC protection due to tin-plated plastic
- Gas tight and watertight
- Completely twist protected

**Applications:**

- Machines and devices
- Measuring and control engineering
- Plant installations
- Telecommunications



Temperature Range
-25 to 120°C (-13 to 248°F)



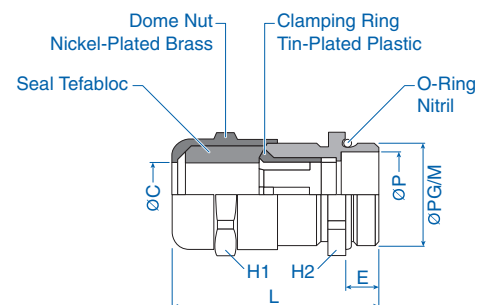
Outer thread	Cable Clamping range mm	Shield Clamping range mm	Cat. No.	Std. Pk.
<b>PG</b>				
PG 7	4 - 6.5	4 - 6.5	<b>4264007</b>	100
PG 9	5 - 8.5	4.5 - 8.5	<b>4264009</b>	50
PG 11	7 - 10.5	6 - 10.5	<b>4264011</b>	50
PG 13.5	8 - 12.5	8 - 12.5	<b>4264013</b>	50
PG 16	10 - 14.5	10 - 14.5	<b>4264016</b>	20
PG 21	13.5 - 18	13.5 - 18	<b>4264021</b>	25
PG 29	17 - 24	17 - 24	<b>4264029</b>	10
PG 36	24 - 30	24 - 30	<b>4264036</b>	10

**Metric**

M 12 x 1.5/7	4 - 6.5	4 - 6.5	<b>4264112</b>	100
M 16 x 1.5/7	4 - 6.5	4 - 6.5	<b>4264116</b>	100
M 16 x 1.5/9	5 - 8.5	4.5 - 8.5	<b>4264117</b>	50
M 20 x 1.5/11	7 - 10.5	6 - 10.5	<b>4264120</b>	50
M 20 x 1.5/13	8 - 12.5	8 - 12.5	<b>4264121</b>	50
M 25 x 1.5/16	10 - 14.5	10 - 14.5	<b>4264125</b>	25
M 25 x 1.5/21	13.5 - 18	13.5 - 18	<b>4264126</b>	25
M 32 x 1.5/21	13.5 - 18	13.5 - 18	<b>4264132</b>	10
M 32 x 1.5/29	17 - 24	17 - 24	<b>4264133</b>	10
M 40 x 1.5/29	17 - 24	17 - 24	<b>4264134</b>	10
M 40 x 1.5/36	24 - 30	24 - 30	<b>4264135</b>	10

**Dimensions**

Thread Size	H1 mm	H2 mm	E mm	L mm	ØC mm	ØP mm	ØPG/M mm
PG7	14	14	5	35	6.5	7.2	12.5
PG9	17	17	6	37	8.5	9.2	15.2
PG11	20	20	6	40	10.5	11.2	18.6
PG13.5	22	22	6.5	40	12.5	13.1	20.4
PG16	24	24	6.5	40	15.2	15.6	22.5
PG21	30	30	7	50	18.5	20.1	28.3
PG29	40	40	8	60	25.0	26.2	37.0
PG36	50	50	9	70	30.5	33.0	47.0
M 12x1.5/7	14	14	7	37	6.5	7.2	12.0
M 16x1.5/7	14	17	7	37	6.5	7.2	16.0
M 16x1.5/9	17	17	7	38	8.5	9.2	16.0
M 20x1.5/11	20	22	7	41	10.5	11.2	20.0
M 20x1.5/13	22	22	7	41	12.5	13.1	20.0
M 25x1.5/16	24	26	8	41	15.2	15.6	25.0
M 25x1.5/21	30	30	8	51	18.5	20.1	25.0
M 32x1.5/21	30	33	8.5	51.5	18.5	20.1	32.0
M 32x1.5/29	40	40	8.5	60.5	25.0	26.2	32.0
M 40x1.5/29	40	42	8.5	60.5	25.0	26.2	40.0
M 40x1.5/36	50	50	8.5	67	30.5	33.0	40.0



**This is one of our most popular series and is usually kept in stock.**

*Locknuts sold separately, see page 25.*