



Chipsmall Limited consists of a professional team with an average of over 10 year of expertise in the distribution of electronic components. Based in Hongkong, we have already established firm and mutual-benefit business relationships with customers from,Europe,America and south Asia,supplying obsolete and hard-to-find components to meet their specific needs.

With the principle of “Quality Parts,Customers Priority,Honest Operation,and Considerate Service”,our business mainly focus on the distribution of electronic components. Line cards we deal with include Microchip,ALPS,ROHM,Xilinx,Pulse,ON,Everlight and Freescale. Main products comprise IC,Modules,Potentiometer,IC Socket,Relay,Connector.Our parts cover such applications as commercial,industrial, and automotives areas.

We are looking forward to setting up business relationship with you and hope to provide you with the best service and solution. Let us make a better world for our industry!



Contact us

Tel: +86-755-8981 8866 Fax: +86-755-8427 6832

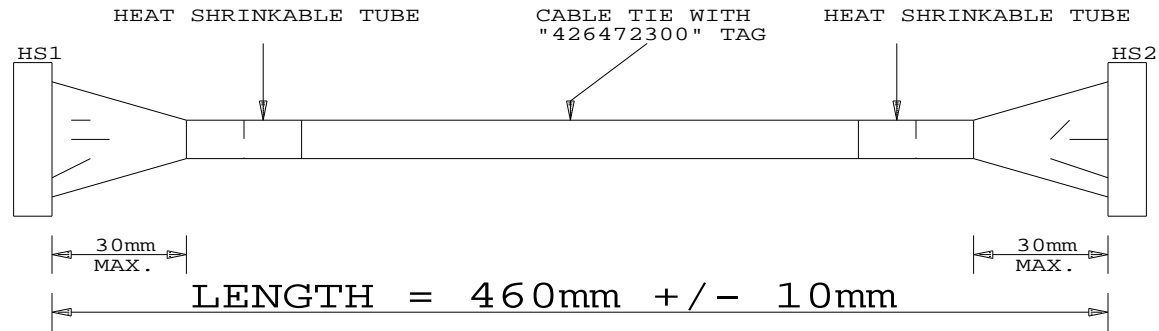
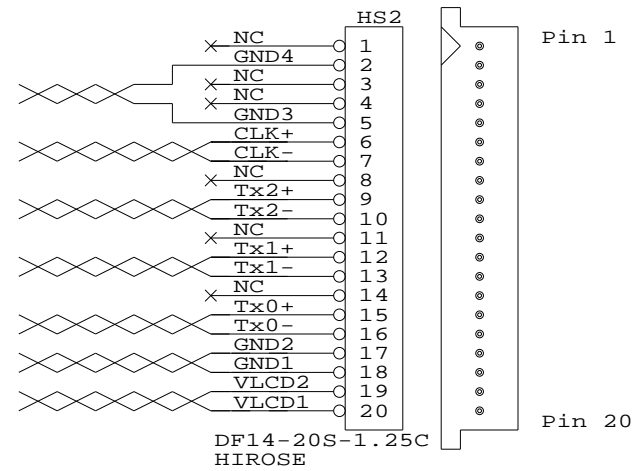
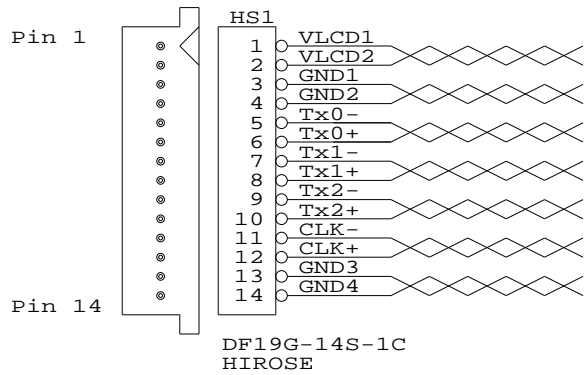
Email & Skype: info@chipsmall.com Web: www.chipsmall.com

Address: A1208, Overseas Decoration Building, #122 Zhenhua RD., Futian, Shenzhen, China



TOLERANCE :

+10mm
-10mm



USAGE:
FOR SAMSUNG LTN104S1-L01 10.4" SVGA PANEL

CABLE: SHIELDED ROUND
UL 20276, 7 PAIRS, 30AWG, L=460mm
JACKET: PVC COLOR BLACK

P/N 4264723-00

LVDS PANEL CABLE:

ROUND PAIRED FOR SVGA LVDS PANEL, 460mm

DIGITAL VIEW LTD.

COPYRIGHT 2002, ALL RIGHTS RESERVED
CONFIDENTIAL

DRAWN BY: DICK CHEUNG

Title		
P.CABLE: ROUND PAIRED FOR SVGA PANEL, 460mm		
Size	Document Number	REV
A	(G:\...\DV\DV_CABLE\C6472300.SCH)	01
Date: September 20, 2002	Sheet	1 of 1