



Chipsmall Limited consists of a professional team with an average of over 10 year of expertise in the distribution of electronic components. Based in Hongkong, we have already established firm and mutual-benefit business relationships with customers from,Europe,America and south Asia,supplying obsolete and hard-to-find components to meet their specific needs.

With the principle of “Quality Parts,Customers Priority,Honest Operation,and Considerate Service”,our business mainly focus on the distribution of electronic components. Line cards we deal with include Microchip,ALPS,ROHM,Xilinx,Pulse,ON,Everlight and Freescale. Main products comprise IC,Modules,Potentiometer,IC Socket,Relay,Connector.Our parts cover such applications as commercial,industrial, and automotives areas.

We are looking forward to setting up business relationship with you and hope to provide you with the best service and solution. Let us make a better world for our industry!



Contact us

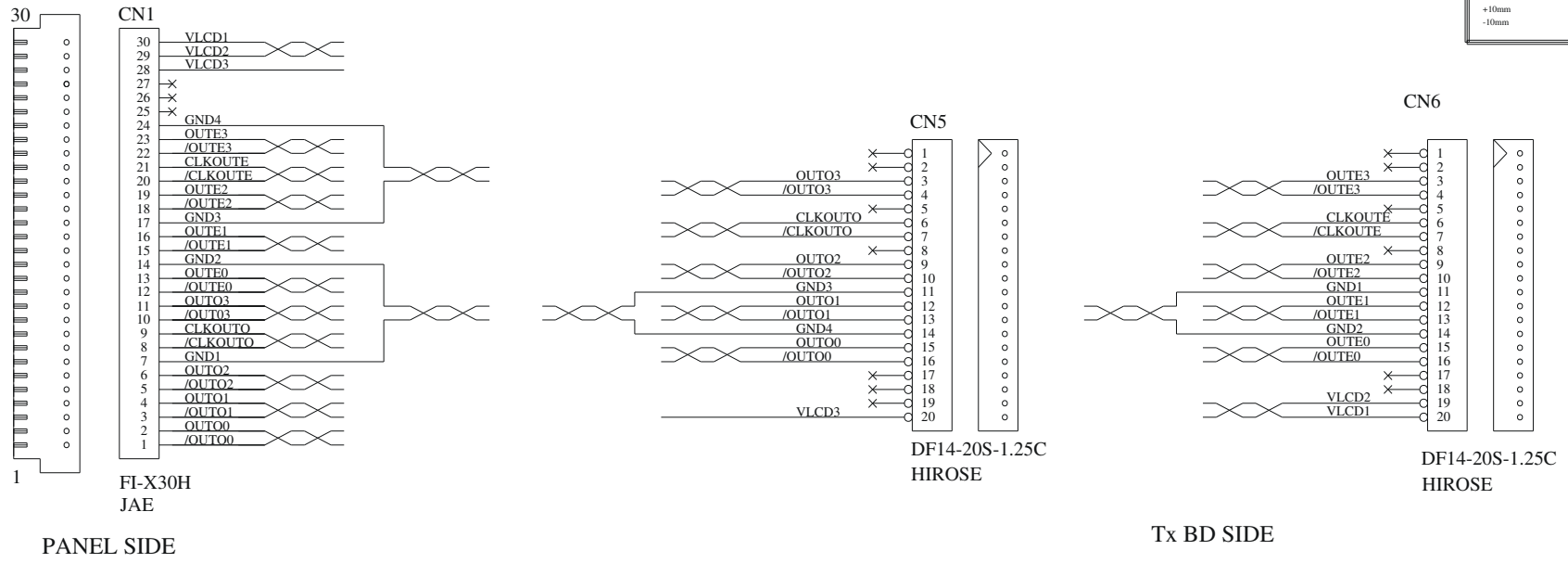
Tel: +86-755-8981 8866 Fax: +86-755-8427 6832

Email & Skype: info@chipsmall.com Web: www.chipsmall.com

Address: A1208, Overseas Decoration Building, #122 Zhenhua RD., Futian, Shenzhen, China

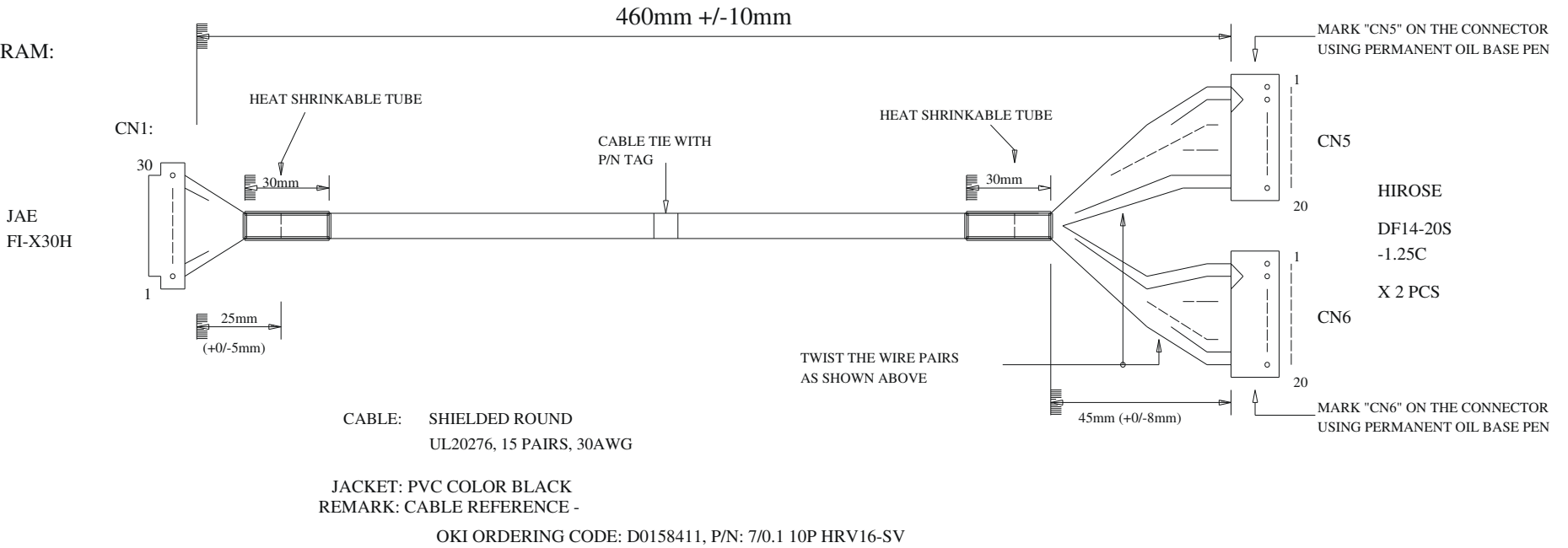


CONNECTION DIAGRAM:



TOLERANCE:
 +10mm
 -10mm

CONSTRUCTION DIAGRAM:



USAGE: LVDS CABLE FOR SAMSUNG LTM170E4-L01 SXGA PANEL
 (WITH LVDS Tx. BOARD: P/N:4162138-00)

P/N 4264730-00
 LVDS CABLE: SAMSUNG LTM170E4-L01, 460mm

DIGITAL VIEW LTD. COPYRIGHT 2001, ALL RIGHTS RESERVED CONFIDENTIAL DRAWN BY: DICK CHEUNG		
Title LVDS CABLE: SAMSUNG LTM170E4-L01, 460mm		
Size B	Document Number (G:...LDVVDV_CABLE/C6473000.SCH)	REV 01
Date July 5, 2001	Sheet 1	of 1