



Chipsmall Limited consists of a professional team with an average of over 10 year of expertise in the distribution of electronic components. Based in Hongkong, we have already established firm and mutual-benefit business relationships with customers from,Europe,America and south Asia,supplying obsolete and hard-to-find components to meet their specific needs.

With the principle of “Quality Parts,Customers Priority,Honest Operation,and Considerate Service”,our business mainly focus on the distribution of electronic components. Line cards we deal with include Microchip,ALPS,ROHM,Xilinx,Pulse,ON,Everlight and Freescale. Main products comprise IC,Modules,Potentiometer,IC Socket,Relay,Connector.Our parts cover such applications as commercial,industrial, and automotives areas.

We are looking forward to setting up business relationship with you and hope to provide you with the best service and solution. Let us make a better world for our industry!



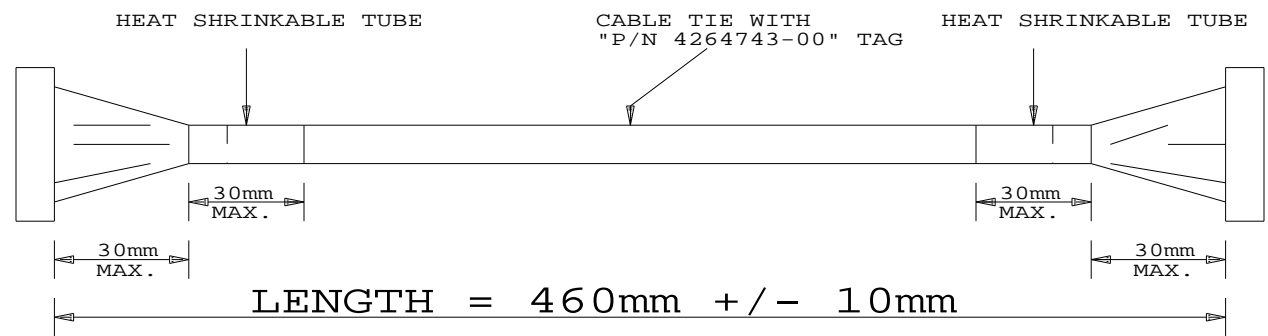
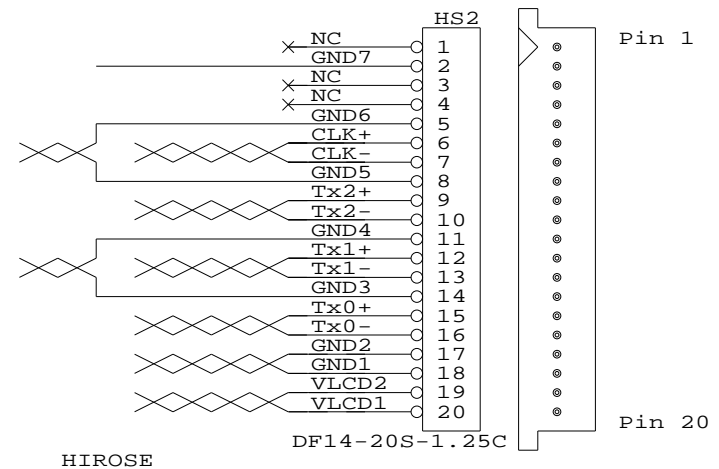
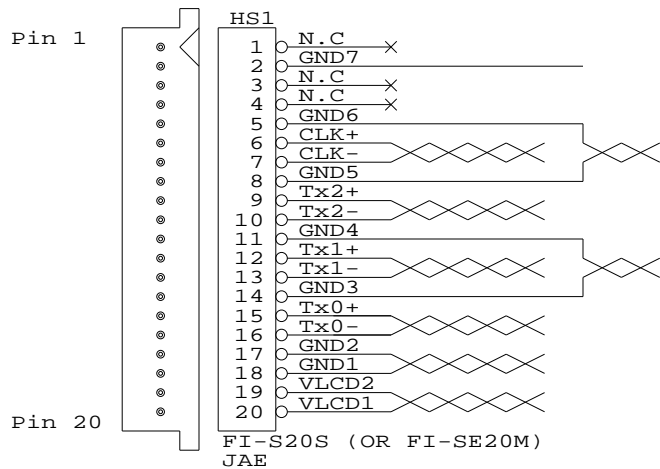
## Contact us

Tel: +86-755-8981 8866 Fax: +86-755-8427 6832

Email & Skype: info@chipsmall.com Web: www.chipsmall.com

Address: A1208, Overseas Decoration Building, #122 Zhenhua RD., Futian, Shenzhen, China





USAGE:  
 CABLE FOR NEC NL10276BC20-04  
 (WITH LVDS Tx. BOARD: P/N 4164702-10)

CABLE: SHIELDED ROUND  
 UL 20276, 9 PAIRS, 30AWG, L=460mm  
 JACKET: PVC COLOR BLACK

P/N 4264743-00  
 LVDS PANEL CABLE:  
 ROUND PAIRED FOR NL10276BC20-04, 460mm

|  |                                 |              |
|--|---------------------------------|--------------|
| DIGITAL VIEW LTD.                                    |                                 |              |
| COPYRIGHT 2003, ALL RIGHTS RESERVED<br>CONFIDENTIAL  |                                 |              |
| DRAWN BY: DICK CHEUNG                                |                                 |              |
| Title<br>P.CABLE: ROUND PAIRED NL10246BC20-04, 460mm |                                 |              |
| Size   | Document Number                 | REV          |
| A  | (:...\DV\DV_CABLE\C6474300.SCH) | 01           |
| Date:  | January 28, 2003                | Sheet 1 of 1 |