



Chipsmall Limited consists of a professional team with an average of over 10 year of expertise in the distribution of electronic components. Based in Hongkong, we have already established firm and mutual-benefit business relationships with customers from,Europe,America and south Asia,supplying obsolete and hard-to-find components to meet their specific needs.

With the principle of “Quality Parts,Customers Priority,Honest Operation,and Considerate Service”,our business mainly focus on the distribution of electronic components. Line cards we deal with include Microchip,ALPS,ROHM,Xilinx,Pulse,ON,Everlight and Freescale. Main products comprise IC,Modules,Potentiometer,IC Socket,Relay,Connector.Our parts cover such applications as commercial,industrial, and automotives areas.

We are looking forward to setting up business relationship with you and hope to provide you with the best service and solution. Let us make a better world for our industry!



Contact us

Tel: +86-755-8981 8866 Fax: +86-755-8427 6832

Email & Skype: info@chipsmall.com Web: www.chipsmall.com

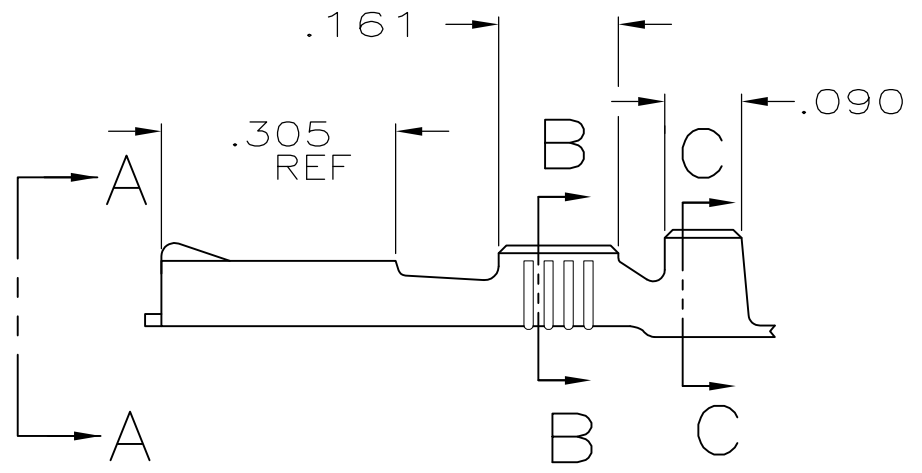
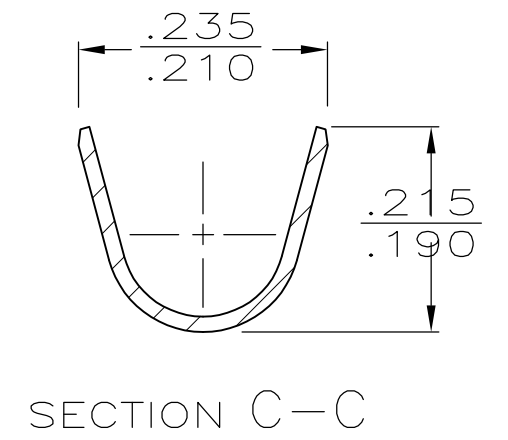
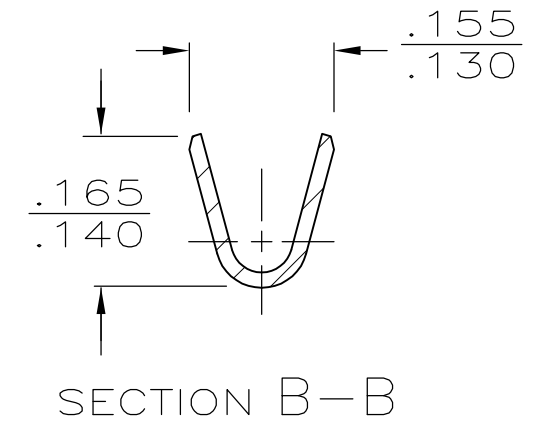
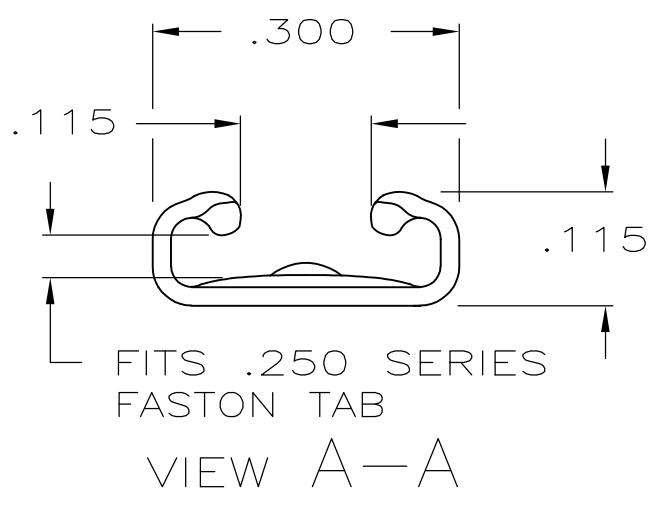
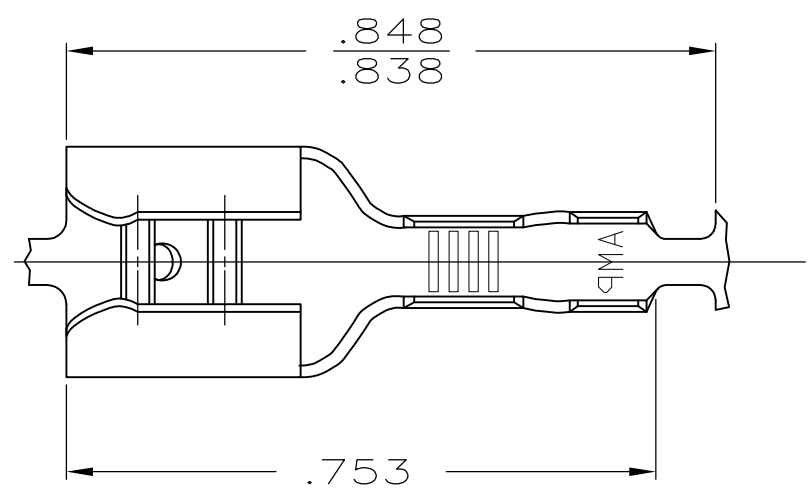
Address: A1208, Overseas Decoration Building, #122 Zhenhua RD., Futian, Shenzhen, China



THIS DRAWING IS UNPUBLISHED. RELEASED FOR PUBLICATION
 © COPYRIGHT - By - ALL RIGHTS RESERVED.

LOC	DIST	REVISIONS			
P	LTR	DESCRIPTION	DATE	DWN	APVD
AF	50	U	REVISED PER ECR-12-013445	09NOV12	KH PD

- 1 CONTINUOUS STRIP ON REELS.
- 2 MATING TAB THK IS .032
- 3 WIRE SIZE IS #18-#14 AWG.
- 4 INSULATION RANGE IS .120-.170 DIA. ±.001
- 5 PRELIMINARY - NOT FOR PRODUCTION
- 6 REDUCED PACKAGE QUANTITY



OBSOLETE

FINISH	MATERIAL	PART NO
TIN	.016±.001 BRASS	42660-6
NICKEL	.016±.001 STEEL	42660-5
PRE-TIN	.016±.001 BRASS	42660-4
TIN	BRASS	42660-2
	BRASS	42660-1

THIS DRAWING IS A CONTROLLED DOCUMENT.		DWN JR RUTH 4/17/86	TE Connectivity				
DIMENSIONS: INCHES		CHK G YETTER 4/17/86					
TOLERANCES UNLESS OTHERWISE SPECIFIED:		APVD C MEYERS 4/17/86	NAME				
0 PLC ± - 1 PLC ± - 2 PLC ± - 3 PLC ± .015 4 PLC ± - ANGLES ± -		PRODUCT SPEC	RECEPTACLE FASTON™ .250 SERIES				
MATERIAL SEE ABOVE		FINISH SEE ABOVE	APPLICATION SPEC	SIZE	CAGE CODE	DRAWING NO	RESTRICTED TO
						A300779 C-42660	
CUSTOMER DRAWING			WEIGHT	SCALE	SHEET	REV	
				NTS	1 OF 1	U	