



Chipsmall Limited consists of a professional team with an average of over 10 year of expertise in the distribution of electronic components. Based in Hongkong, we have already established firm and mutual-benefit business relationships with customers from,Europe,America and south Asia,supplying obsolete and hard-to-find components to meet their specific needs.

With the principle of "Quality Parts,Customers Priority,Honest Operation,and Considerate Service",our business mainly focus on the distribution of electronic components. Line cards we deal with include Microchip,ALPS,ROHM,Xilinx,Pulse,ON,Everlight and Freescale. Main products comprise IC,Modules,Potentiometer,IC Socket,Relay,Connector.Our parts cover such applications as commercial,industrial, and automotives areas.

We are looking forward to setting up business relationship with you and hope to provide you with the best service and solution. Let us make a better world for our industry!



Contact us

Tel: +86-755-8981 8866 Fax: +86-755-8427 6832

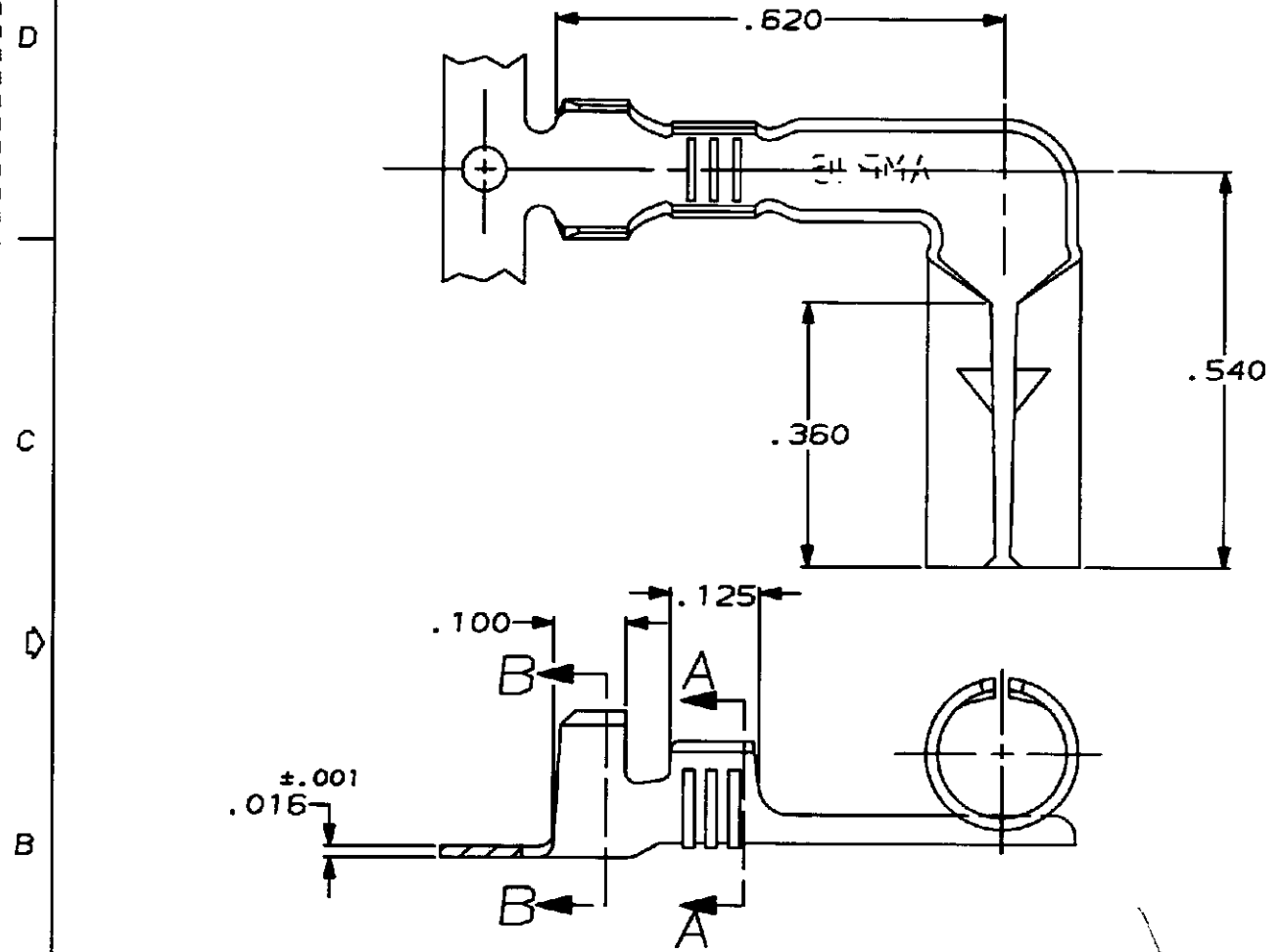
Email & Skype: info@chipsmall.com Web: www.chipsmall.com

Address: A1208, Overseas Decoration Building, #122 Zhenhua RD., Futian, Shenzhen, China

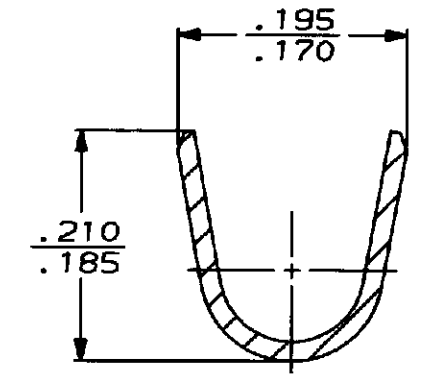
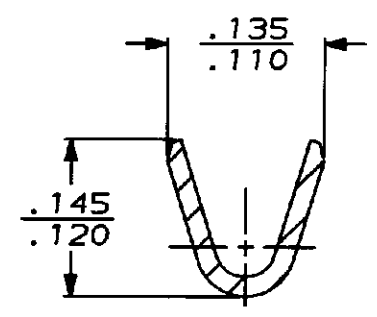


4 3 2 1
 DRAWING MADE IN THIRD ANGLE PROJECTION
 THIS DRAWING IS UNPUBLISHED. RELEASED FOR PUBLICATION .19 .
 © COPYRIGHT 19 BY AMP INCORPORATED. ALL INTERNATIONAL RIGHTS RESERVED.

LOC	DIST	P	F	ZONE	LTR	DESCRIPTION	DATE	APPD
AF	50				G	ADDED -3 PER AF-7991	5/18/92	PF/GY



1 CONTINUOUS STRIP ON REELS
 2 REVERSED REELED



SECTION A-A
SCALE 8:1

SECTION B-B
SCALE 8:1

INSULATION RANGE	WIRE RANGE	PART NO
△ .100-.140 DIA	20-16 AWG	42700-3
.100-.140 DIA	20-16 AWG	42700-1

TYPE	WIDTH	STRIP LENGTH ±.015	TYPE	WIDTH	±.002 HEIGHT	WIRE
F	.155	.190	F	.090	.065	16
					.057	18
					.053	20
INSUL BARREL CRIMP			WIRE BARREL CRIMP			

DO NOT SCALE PRINT. UNLESS SPECIFIED DIMENSIONS IN INCHES TOLERANCES ON:
 2 PLC DEC ± .015
 3 PLC DEC ± .015
 ANGLES ± .
 MATERIAL #4 HARD BRASS
 FINISH

DR 5/2/90 P FORTNEY
 CHK 5/2/90 JR BLUTH
 APPD 5/2/90 B YETTER
 APPD 5/2/90 R KUZO
 PRODUCT SPEC
 APPLICATION SPEC
 WEIGHT

AMP AMP Incorporated
 Harrisburg, PA 17105-3608

NAME
**PIN RECEPTACLE,
 .180 DIA**

SIZE **B** CASE CODE 00779 DRAWING NO 42700
 SCALE 5:1 SHEET 1 OF 1