



Chipsmall Limited consists of a professional team with an average of over 10 year of expertise in the distribution of electronic components. Based in Hongkong, we have already established firm and mutual-benefit business relationships with customers from,Europe,America and south Asia,supplying obsolete and hard-to-find components to meet their specific needs.

With the principle of “Quality Parts,Customers Priority,Honest Operation,and Considerate Service”,our business mainly focus on the distribution of electronic components. Line cards we deal with include Microchip,ALPS,ROHM,Xilinx,Pulse,ON,Everlight and Freescale. Main products comprise IC,Modules,Potentiometer,IC Socket,Relay,Connector.Our parts cover such applications as commercial,industrial, and automotives areas.

We are looking forward to setting up business relationship with you and hope to provide you with the best service and solution. Let us make a better world for our industry!



Contact us

Tel: +86-755-8981 8866 Fax: +86-755-8427 6832

Email & Skype: info@chipsmall.com Web: www.chipsmall.com

Address: A1208, Overseas Decoration Building, #122 Zhenhua RD., Futian, Shenzhen, China



THIS DRAWING IS UNPUBLISHED.

RELEASED FOR PUBLICATION

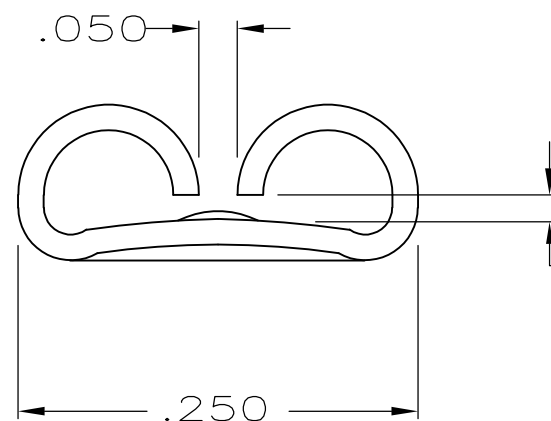
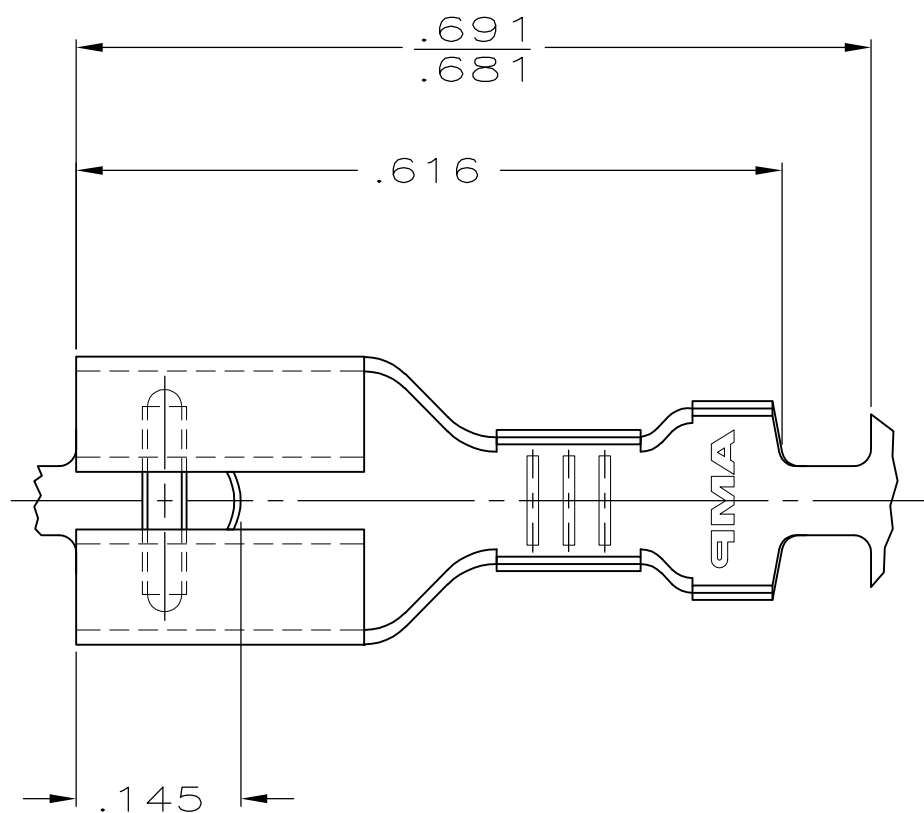
ALL RIGHTS RESERVED.

© COPYRIGHT - By -

LOC AF DIST 50

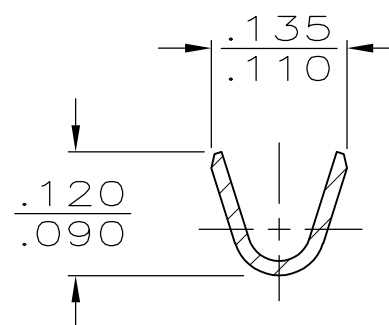
REVISIONS

P	LTR	DESCRIPTION	DATE	DWN	APVD
	U	REVISED PER ECR-12-013445	09NOV12	KH	PD

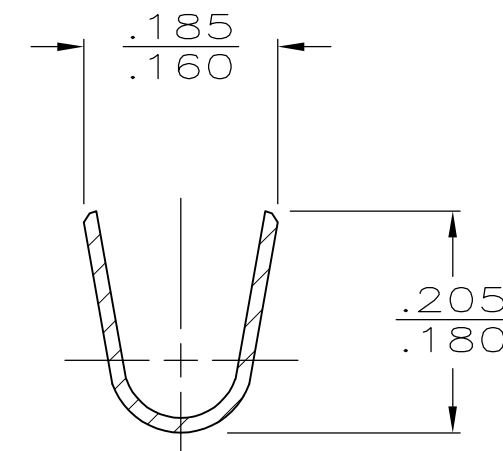


FITS '205' SERIES FASTON TAB

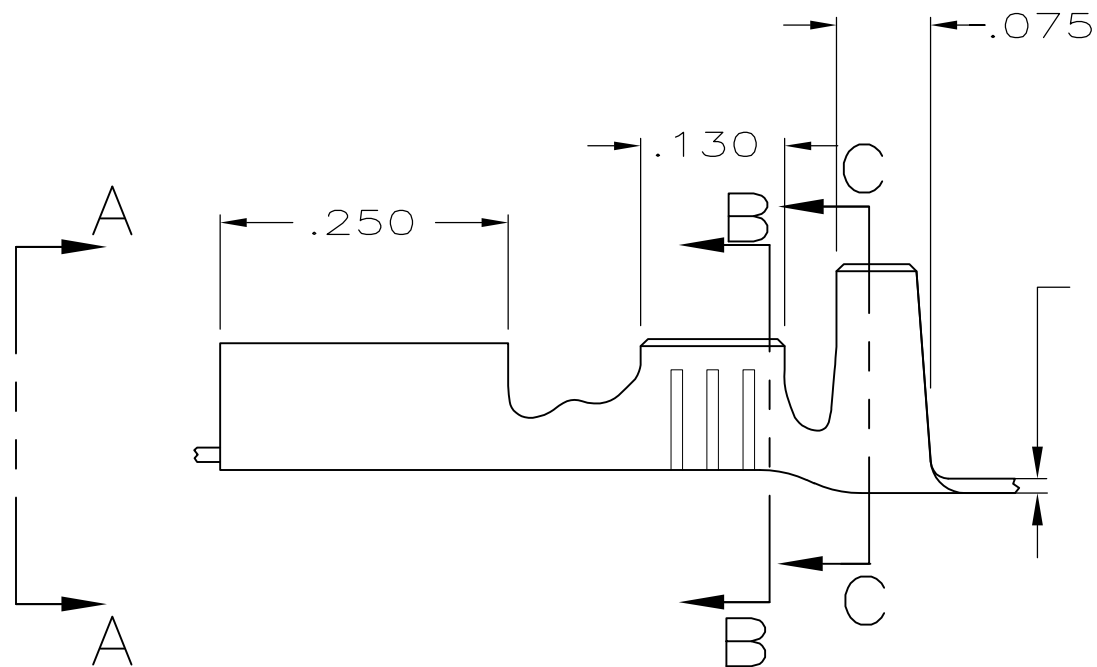
VIEW A-A



SECTION B-B




SECTION C-C



.012±.001

TIN	NONE	.020	22-18	.085-.125	42710-2
FINISH	NONE	MATING TAB THK ±.001	WIRE SIZE	INSULATION RANGE	42710-1
				PART NUMBER	

THIS DRAWING IS A CONTROLLED DOCUMENT.		DWN JR RUTH 2/24/89	 TE Connectivity RECEPTACLE, FASTON, .205 SERIES											
DIMENSIONS: INCHES		CHK P FORTNEY 2/24/89												
TOLERANCES UNLESS OTHERWISE SPECIFIED:		APVD C MEYERS 2/24/89												
<table border="1"> <tr><td>0 PLC</td><td>± -</td></tr> <tr><td>1 PLC</td><td>± -</td></tr> <tr><td>2 PLC</td><td>± -</td></tr> <tr><td>3 PLC</td><td>± .015</td></tr> <tr><td>4 PLC</td><td>± -</td></tr> <tr><td>ANGLES</td><td>± -</td></tr> </table>		0 PLC				± -	1 PLC	± -	2 PLC	± -	3 PLC	± .015	4 PLC	± -
0 PLC	± -													
1 PLC	± -													
2 PLC	± -													
3 PLC	± .015													
4 PLC	± -													
ANGLES	± -													
MATERIAL BRASS	FINISH SEE TABLE	PRODUCT SPEC -	APPLICATION SPEC -	WEIGHT -	RESTRICTED TO -									
CUSTOMER DRAWING			SIZE A3	CAGE CODE 00779	DRAWING NO C-42710									
			SCALE 6:1	SHEET 1 OF 1	REV U									